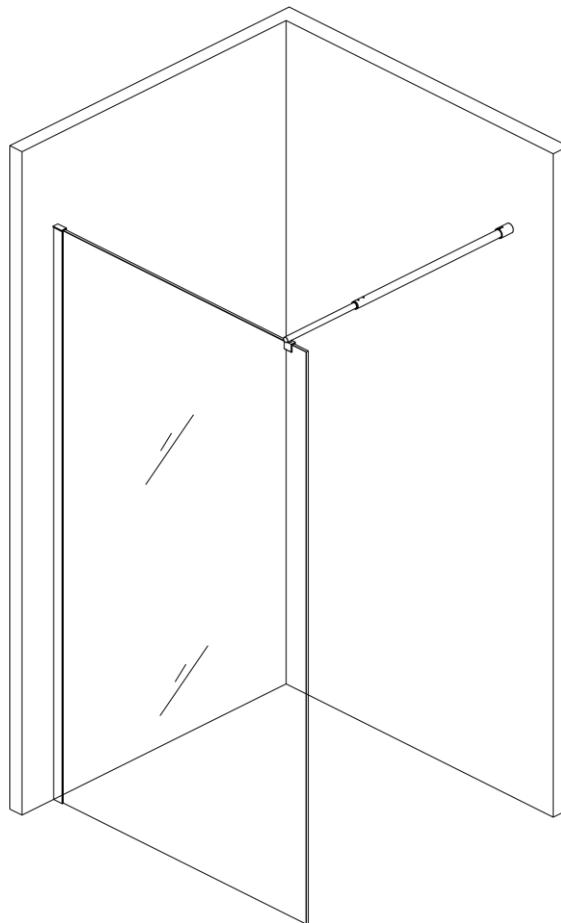




**DUROVIN**  
BATHROOMS

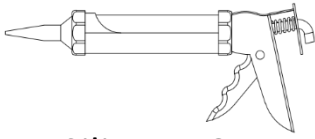
#### IMPORTANT SAFETY NOTES

- Under no circumstances should you attempt to drill through the glass, damage or injury may occur
- Please handle all glass with care, avoiding knocks and shock loading to all sides and edges. Safety glass cannot be reworked.
- Care should be taken when drilling into walls to avoid hidden pipes or electrical cables.

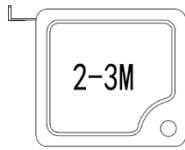


## BR7003 Wet Room Instructions

# Tools Required



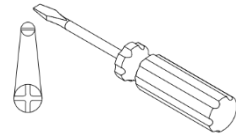
Silicone Gun



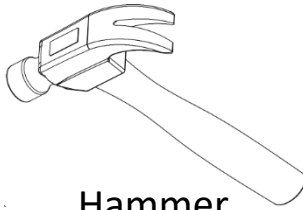
Tape Measure



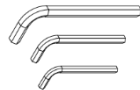
Scissors



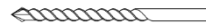
Philips Screwdriver



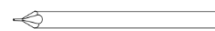
Hammer



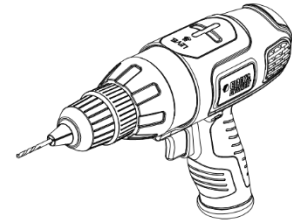
Allen Keys



Drill Bit



Pencil



Power Drill



Level

Two people required. We recommend that a technically competent installer should undertake this installation.

Be sure you have all included parts and tools required before beginning installation and that you have plenty of space for assembly.

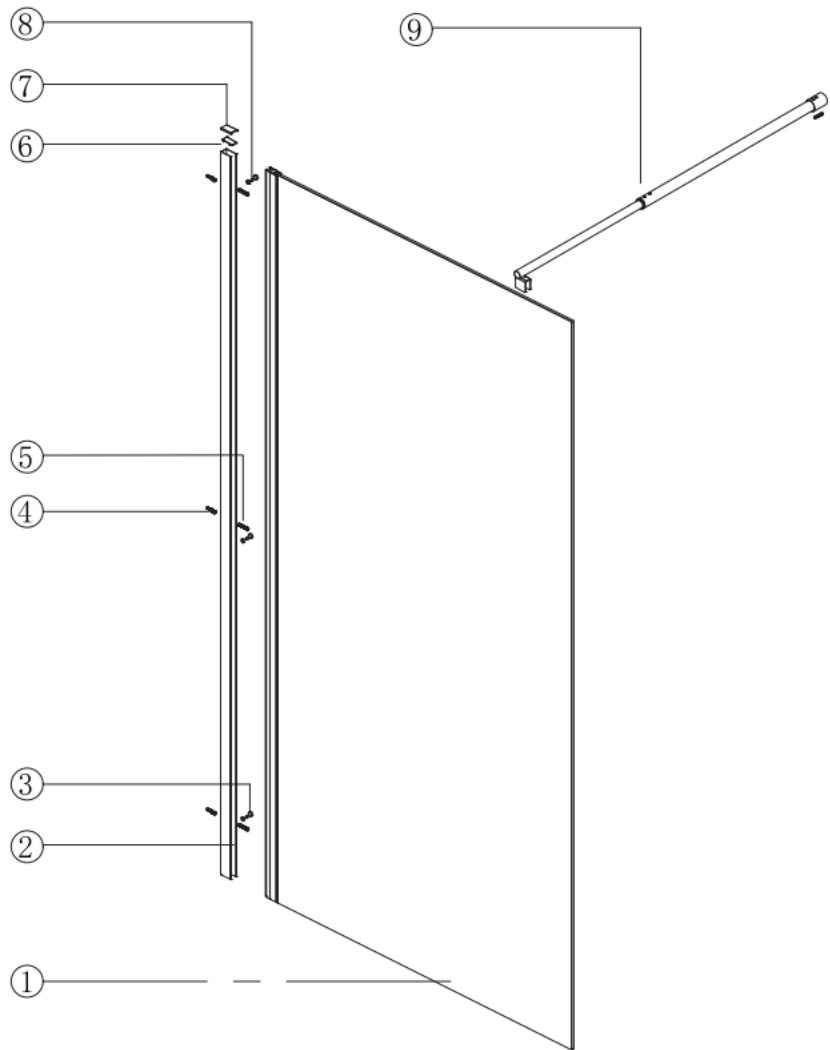
## PRE-INSTALLATION AND TECHNICAL REQUIREMENTS

- All dimensions are shown in millimetres, except where otherwise indicated.
- Ensure that the enclosure set is fitted to a level floor and vertical wall surface.
- This instruction manual is applicable for both pre-tiled wall and plain walls.
- The wall fixings included with this product are suitable for solid walls only. Plasterboard or stud walls may require specialist fixings (not supplied).
- Due to the possibility of residual spray, the area around the outside of the shower tray should be tiled, or made otherwise water resistant.

## IMPORTANT SAFETY NOTES

- Under no circumstances should you attempt to drill through the glass, damage or injury may occur
- Please handle all glass with care, avoiding knocks and shock loading to all sides and edges. Safety glass cannot be reworked.
- Care should be taken when drilling into walls to avoid hidden pipes or electrical cables.

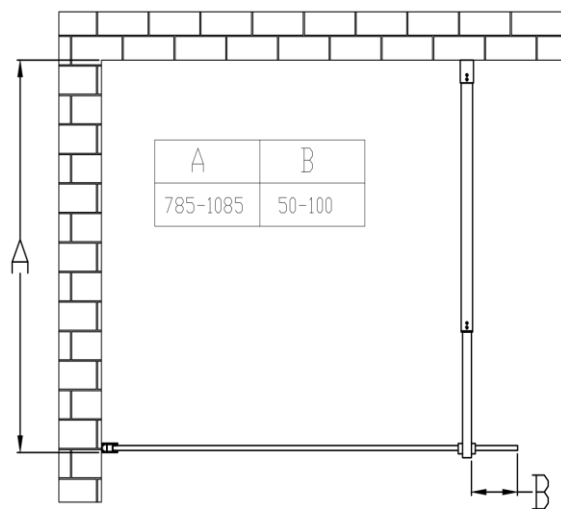
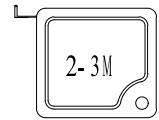
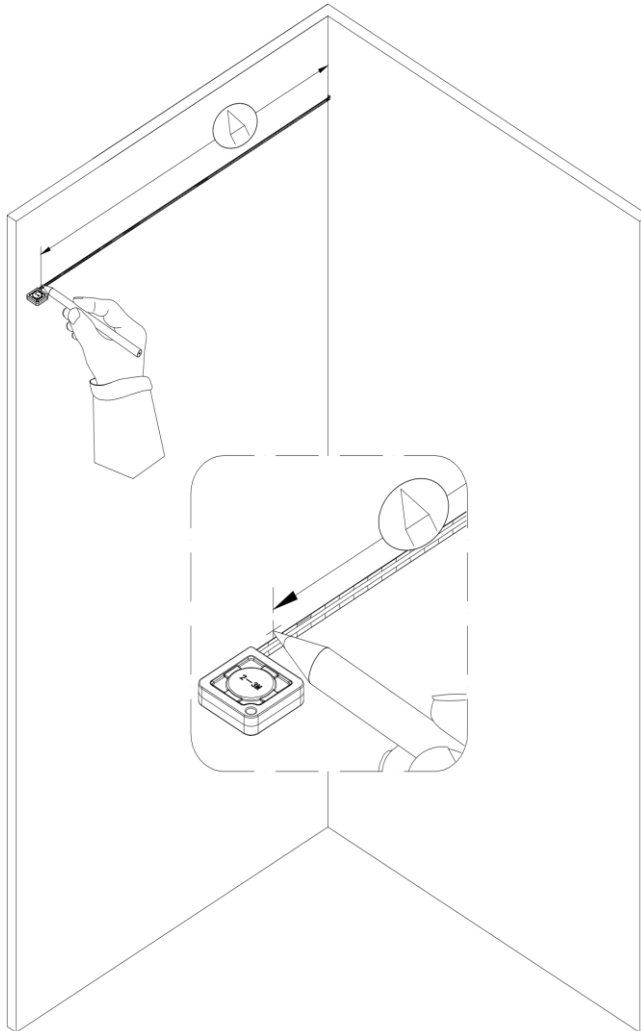
# Included Parts



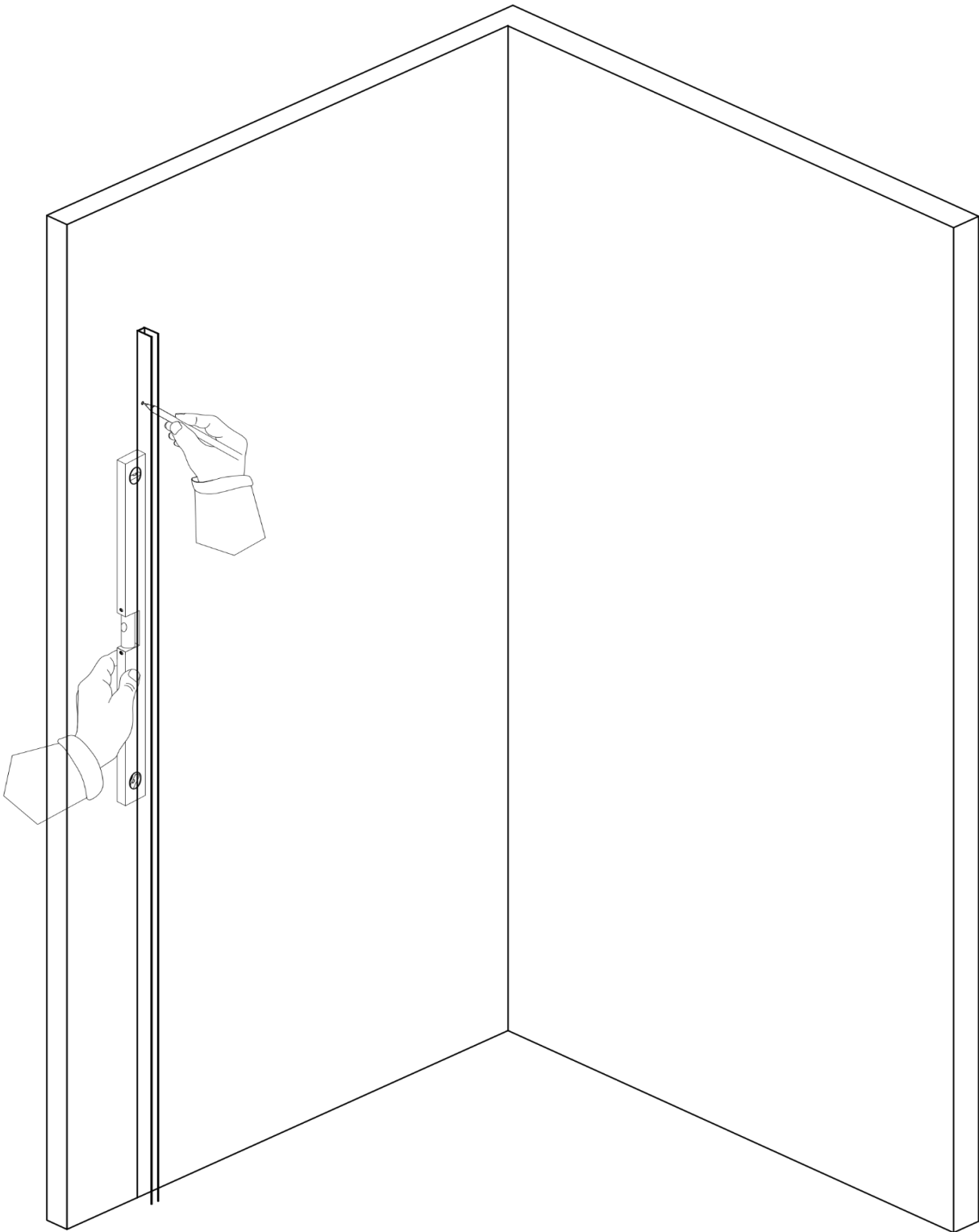
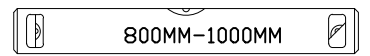
Ref	Description	Illustrations	Qty	Ref	Description	Illustration	Qty
①	Glass Panel		1	⑥	End Cap		1
②	Aluminium Profile		1	⑦	End Cap		1
③	Decorative Caps		3	⑧	ST4X12 Screws		3
④	Wall Plugs		4	⑨	Supporting Bar		1
⑤	ST4X40 Screws		4				

# Aluminium profile assembly

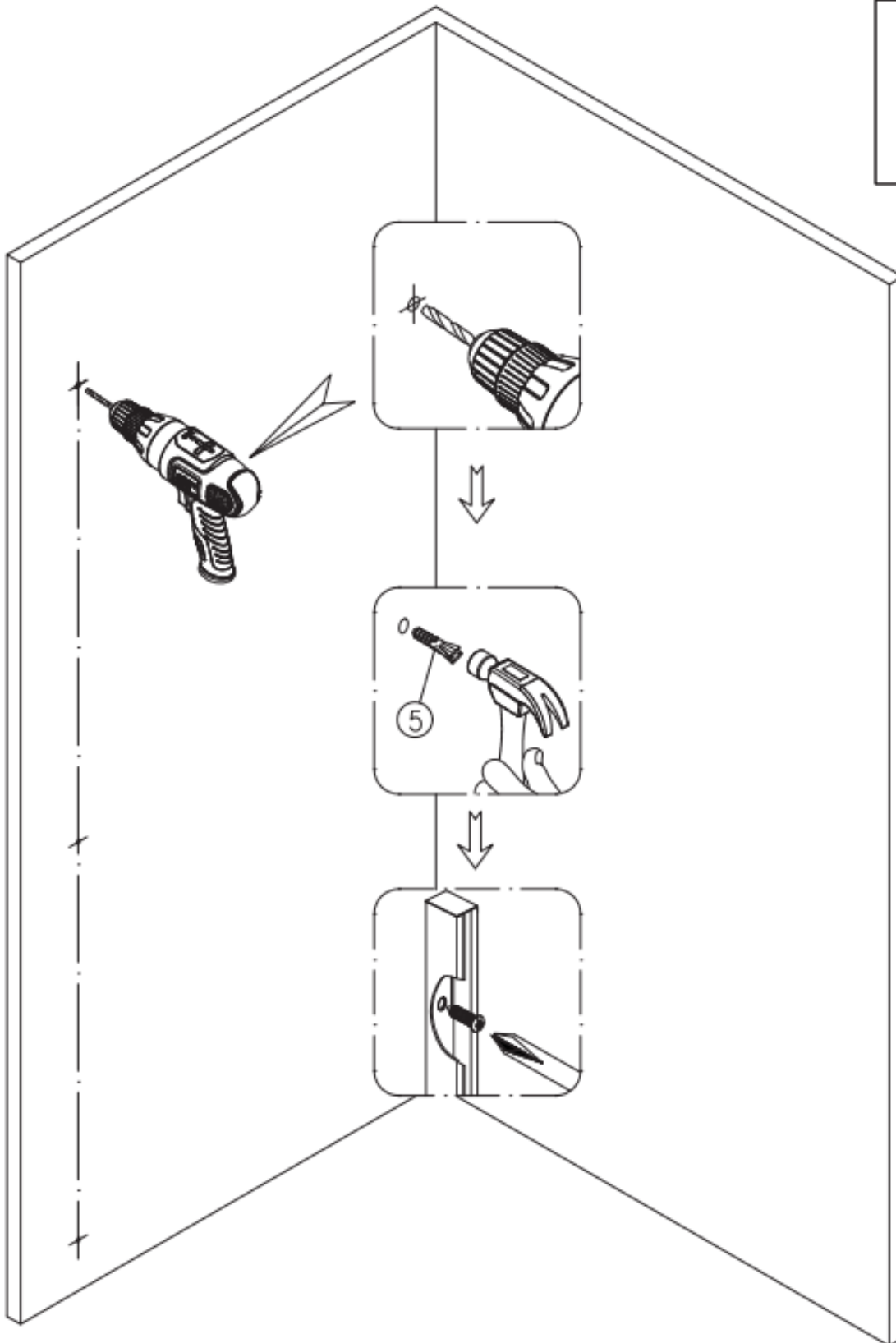
1. Measure how far the glass panel will be from the wall.



2. Check with a spirit level that the aluminium profile is level with the wall.
3. Mark with a pencil where holes will be drilled.

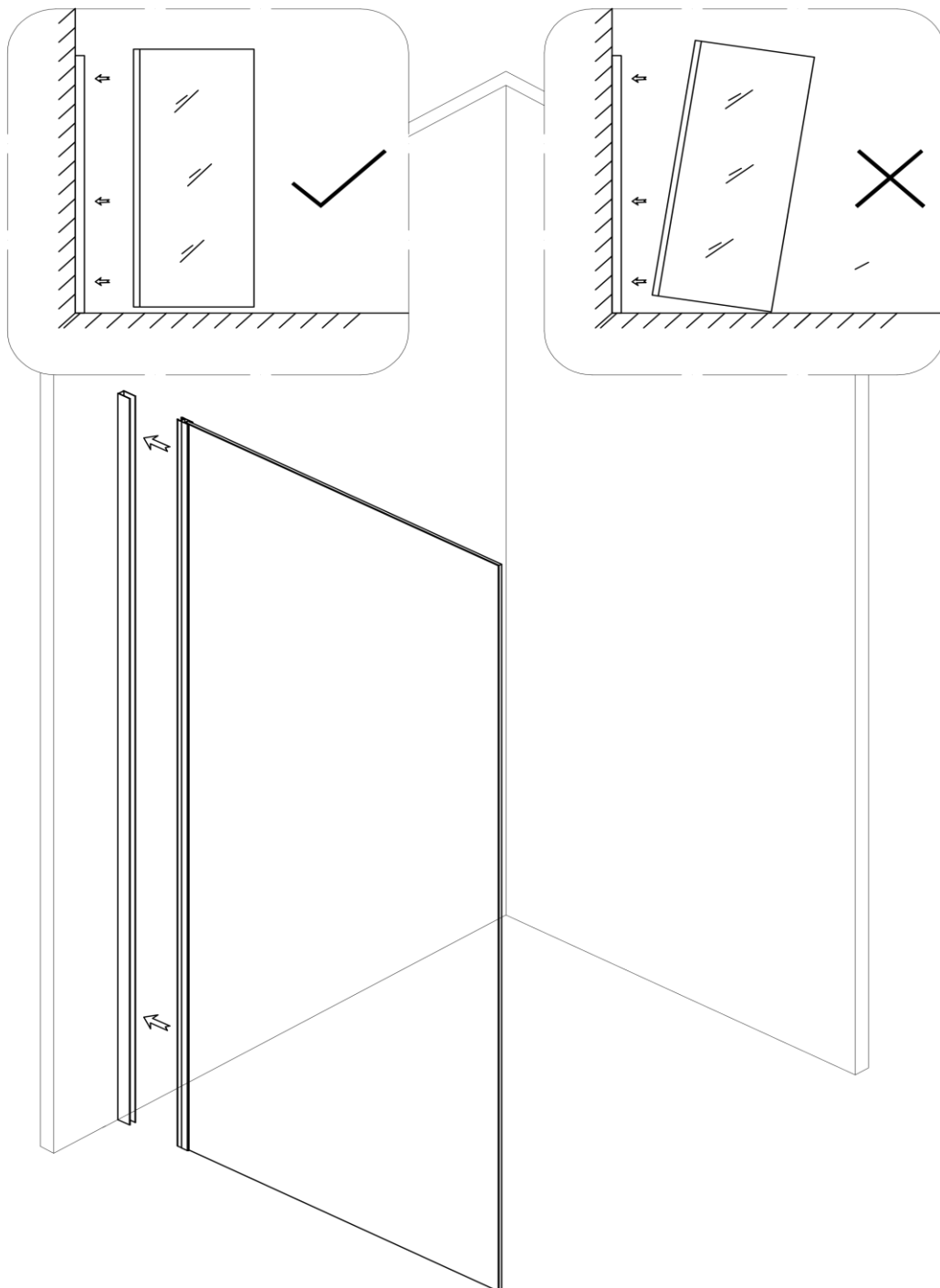


4. Drill holes and insert wall plugs.
5. Screw the aluminium profile onto the wall.

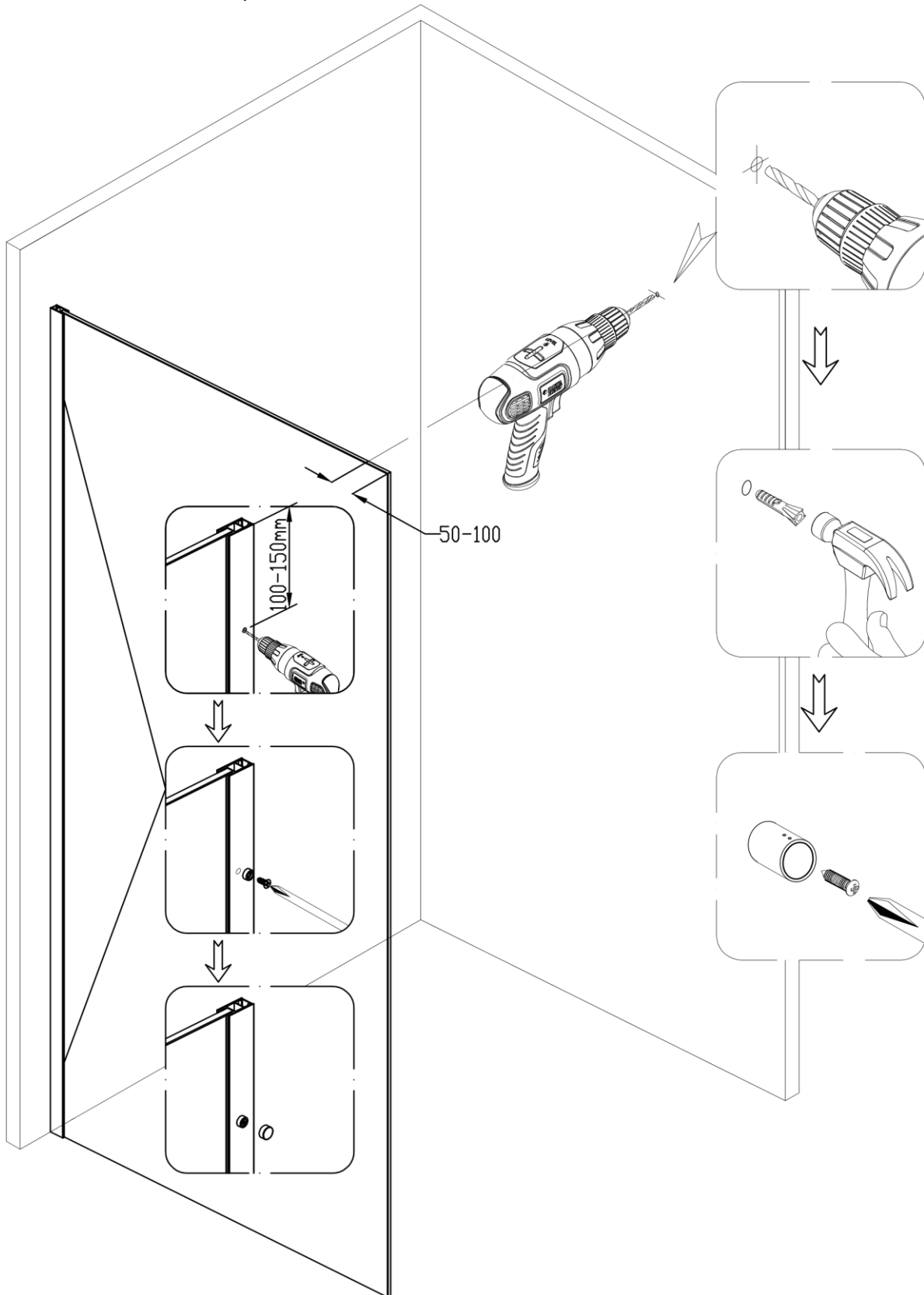


# Glass penal assembly

6. Insert the glass panel into the aluminium profile.  
Note: be cautious when lifting glass to avoid damage or injury.
7. Drill hole for the supporting bar, inserting wall plug.
8. Remove the end of supporting bar, screwing it onto the wall.
9. Drill through profiles being sure to avoid the glass, screwing aluminium profile onto profile of glass panel.



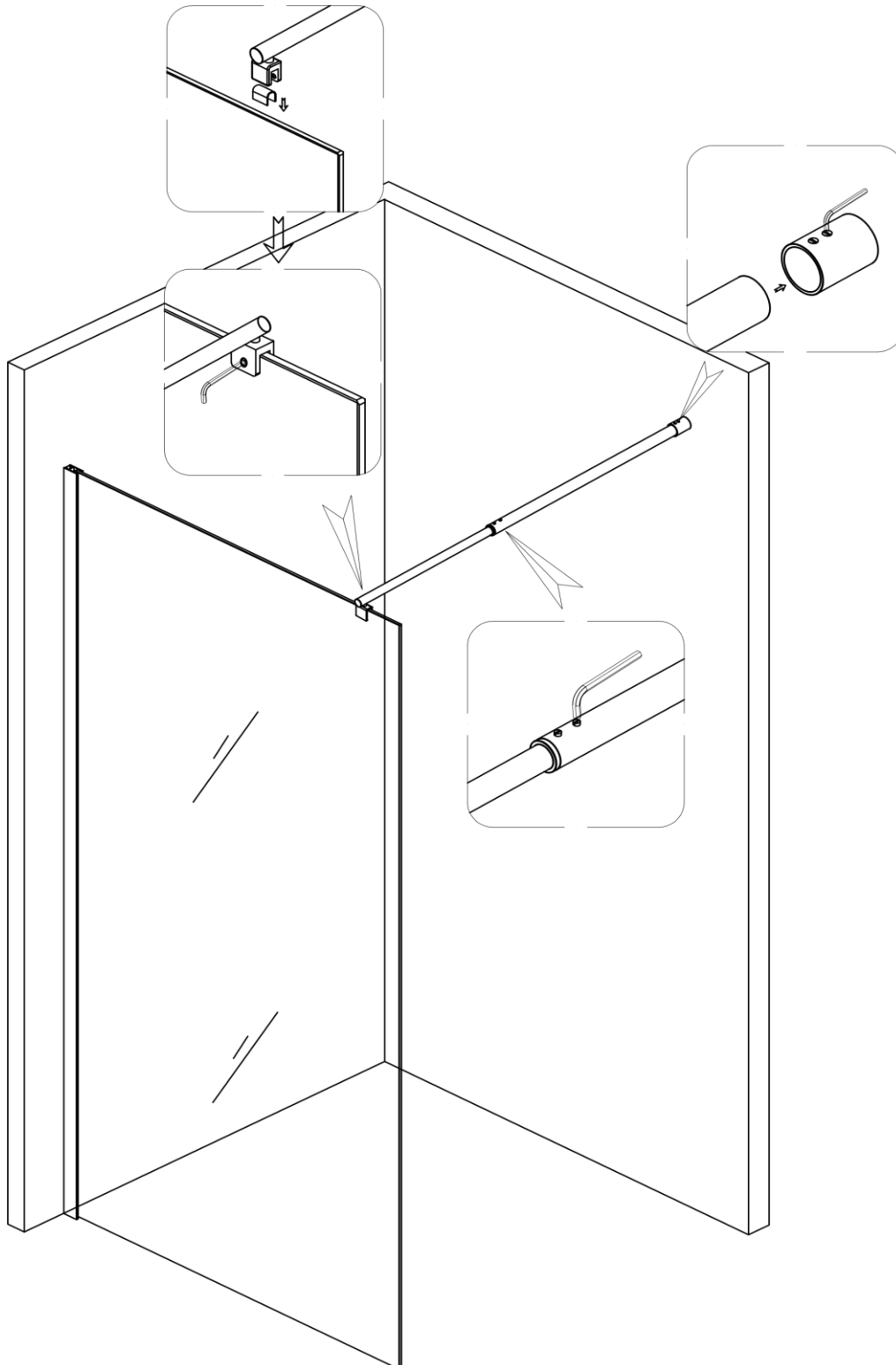
10. Insert decorative cap into hole.





# Supporting bar assembly

11. Insert the supporting bar, tightening screws.
12. Slide the opposite end of supporting bar onto glass panel, tightening screw.
13. Insert end caps into the top of the aluminium profile.



# Apply silicone sealant

14. Silicone around the aluminium profile and glass panel, allowing 24 hours for it to dry.

