



**DUROVIN**  
BATHROOMS

**Close Couple Toilet**

**BEFORE YOU BEGIN**

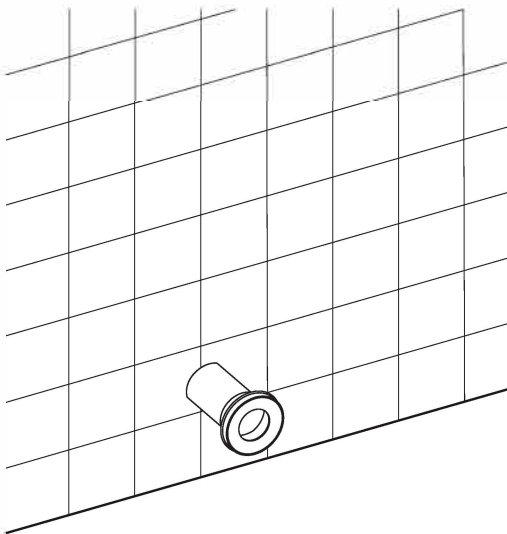
- ⚠ **WARNING:** Risk of personal injury or product damage: Handle vitreous china products very carefully. Vitreous china can break and chip if you overtighten bolts and nuts.
- ⚠ **WARNING:** Risk of external leakage . The fill valve nut has been factory-tightened to design specifications. If re-tightening is required, wrench tighten one turn past finger tight .
- ⚠ **IMPORTANT!** Make sure the supply pressure is a minimum of 35 psi (2.5 kg/cm<sup>2</sup>). The toilet will not function properly without minimum Pressure.

**TOOLS AND MATERIALS REQUIRED (Not supplied)**

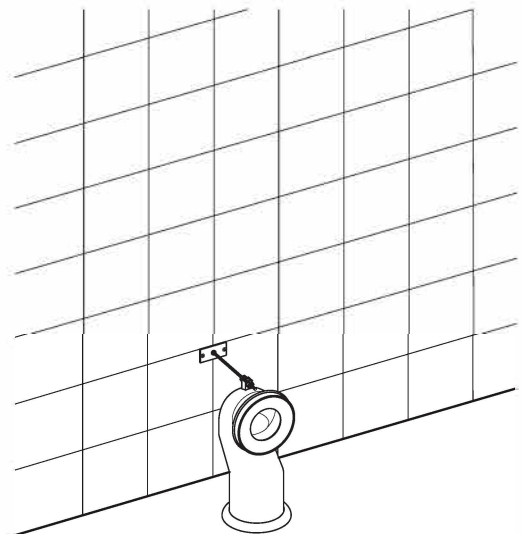
- adjustable wrench
- pipe wrench
- Metal file (file cut)
- Tape measure
- Tubing cutter
- Level
- Hacksaw
- Putty knife
- Screwdriver
- Toilet gasket (wax seal)
- Toilet installation flange
- Toilet T-bolts (2), 8mm (5/16") diameter
- Toilet supply shut-off valve

**NOTICE:** If the existing toilet does not have a supply shut-off valve below the tank, install one before installing the new toilet.

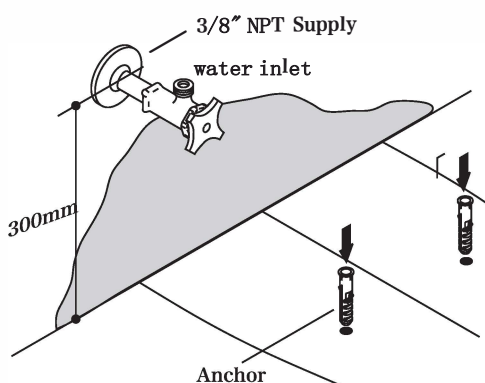
1 For wall-outlet installation, place the pipe fittings as shown



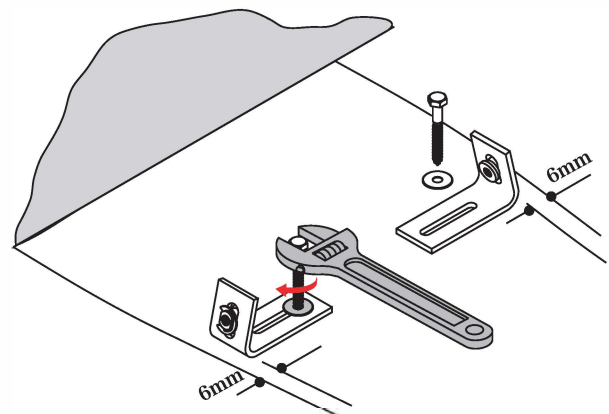
2 For floor-outlet installation, place the pipe fittings as shown



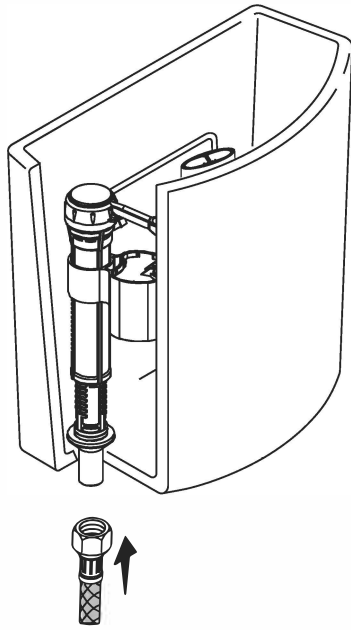
3 Insert anchors.



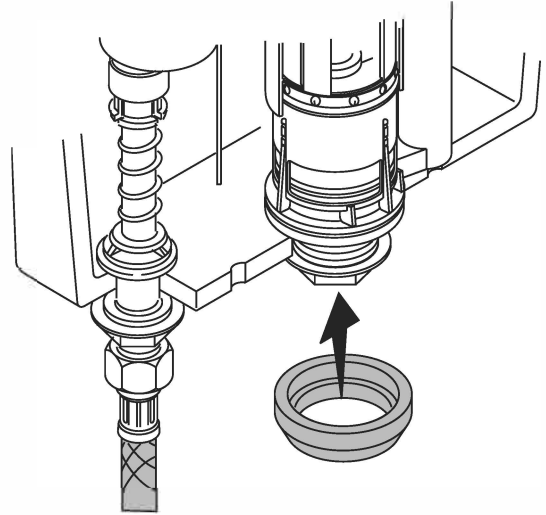
4 Install brackets.



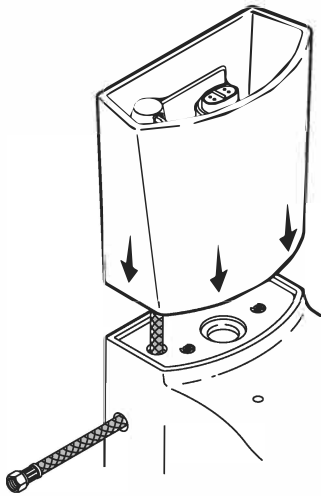
5 Thread the supply hose onto the tank.



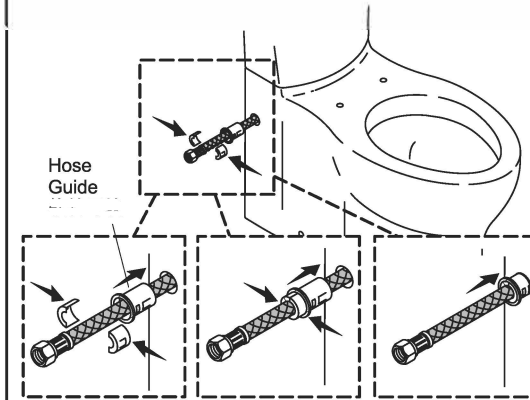
6 Position the gasket on the bowl inlet.



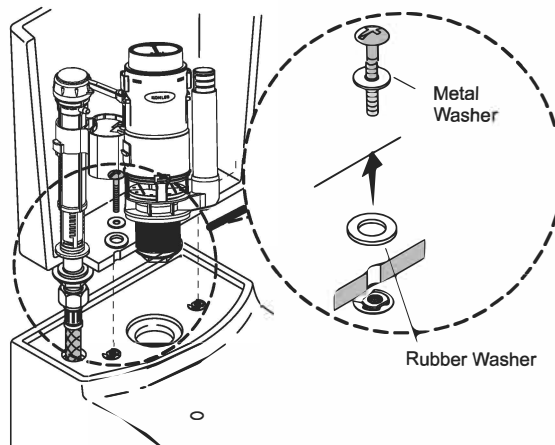
7 Position the tank on the bowl.



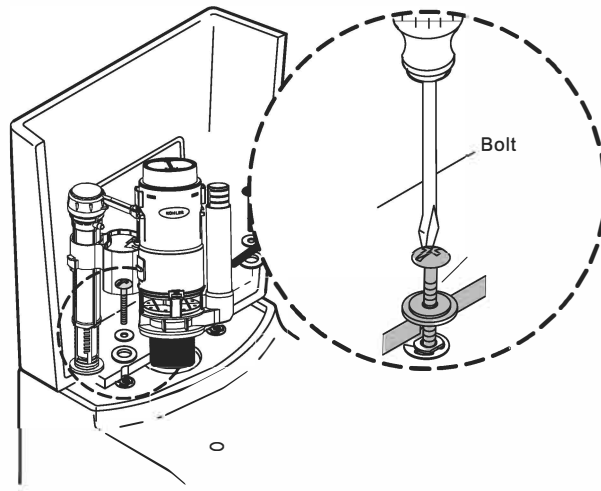
8 Slide the hose guide onto the hose, with the flared end last. Slide the two inserts into the flared end of the hose guide.



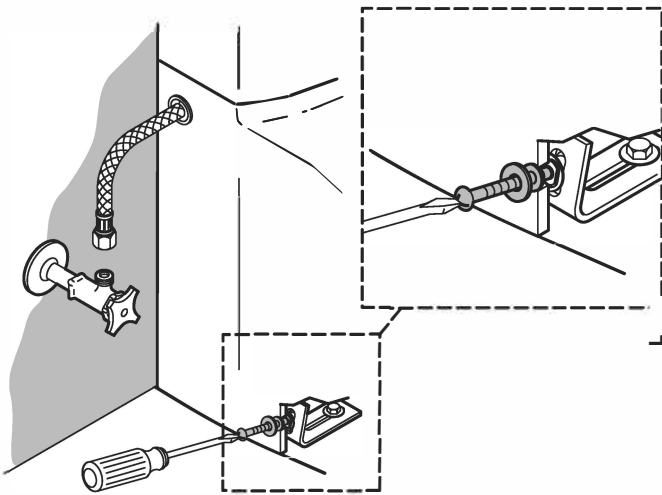
9 Slide the metal washer and the rubber washer onto the bolt.



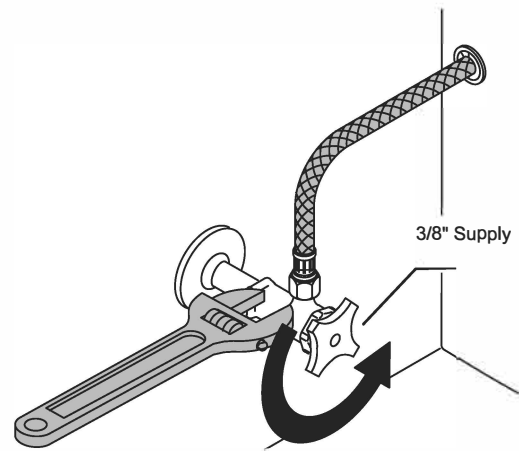
10 Thread the bolts into the bowl through the bolt holes in the bottom of the tank. Tighten the bolts using a screwdriver. Do not overtighten.



11 Carefully thread the bolts into the nuts on the brackets. Do not overtighten.



12 Connect supply and turn on the water.



### 13. CONNECT PUSH BUTTON

- ① Unscrew the big white nut on the push button and insert the button into the hole on the tank.
- ② When the rods meet the push buttons, measure the height H with ruler.
- ③ Unscrew the rods and cut the part H on both rods.
- ④ Insert the rods back and tighten the small nut.
- ⑤ Tighten the big nut from inside the tank.
- ⑥ Test flush several times to check for leakage.

14 Flush several times and check for leaks.

