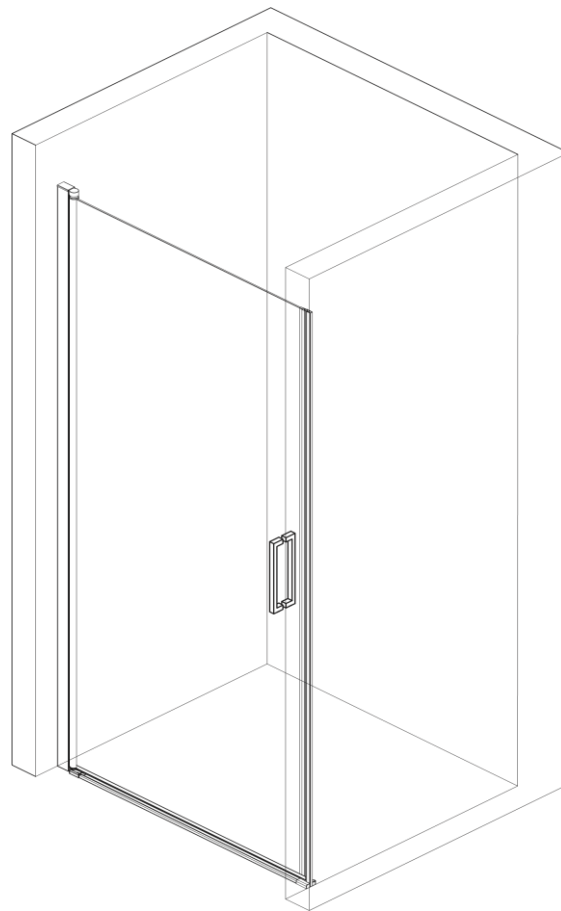




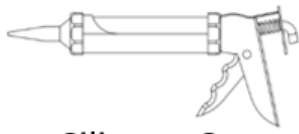
IMPORTANT SAFETY NOTES

- Under no circumstances should you attempt to drill through the glass, damage or injury may occur
- Please handle all glass with care, avoiding knocks and shock loading to all sides and edges. Safety glass cannot be reworked.
- Care should be taken when drilling into walls to avoid hidden pipes or electrical cables.

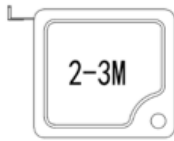


Teramo 22 Single Door

Tools Required



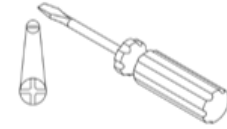
Silicone Gun



Tape Measure



Scissors



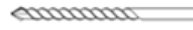
Philips Screwdriver



Hammer



Allen Keys



Drill Bit



Pencil



Power Drill



Level

Two people required. We recommend that a technically competent installer should undertake this installation.

Be sure you have all included parts and tools required before beginning installation and that you have plenty of space for assembly.

If you have ordered this shower enclosure with one of our shower trays, **please note** that tiling should be done before the shower tray is installed. This is so that the shower tray can be pushed up against the tiles and sealed with silicone.

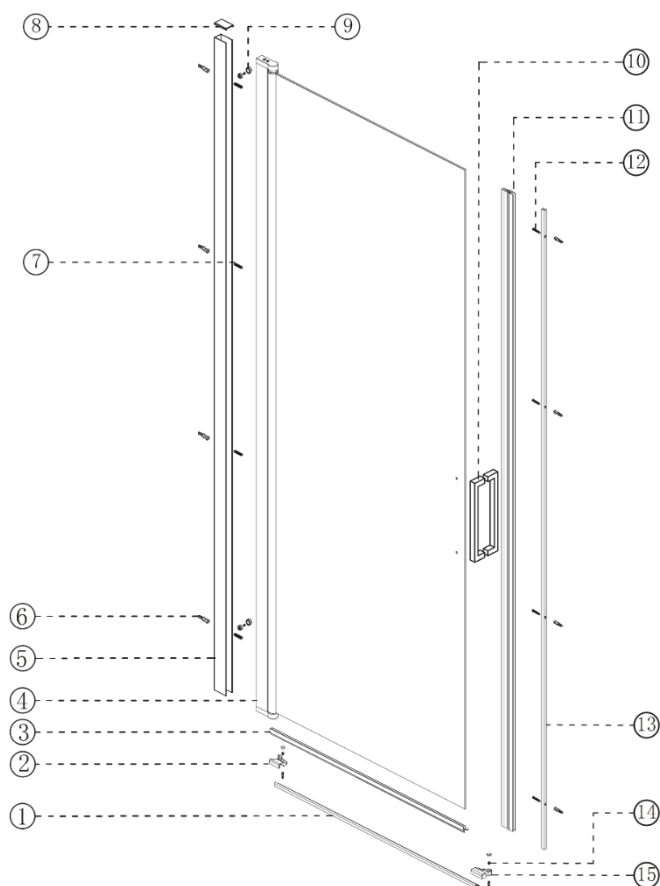
PRE-INSTALLATION AND TECHNICAL REQUIREMENTS

- All dimensions are shown in millimetres, except where otherwise indicated.
- Ensure that the enclosure set is fitted to a level floor and vertical wall surface.
- This instruction manual is applicable for both pre-tiled wall and plain walls.
- The wall fixings included with this product are suitable for solid walls only. Plasterboard or stud walls may require specialist fixings (not supplied).
- Due to the possibility of residual spray, the area around the outside of the shower tray should be tiled, or made otherwise water resistant.

IMPORTANT SAFETY NOTES

- Under no circumstances should you attempt to drill through the glass, damage or injury may occur
- Please handle all glass with care, avoiding knocks and shock loading to all sides and edges. Safety glass cannot be reworked.
- Care should be taken when drilling into walls to avoid hidden pipes or electrical cables.

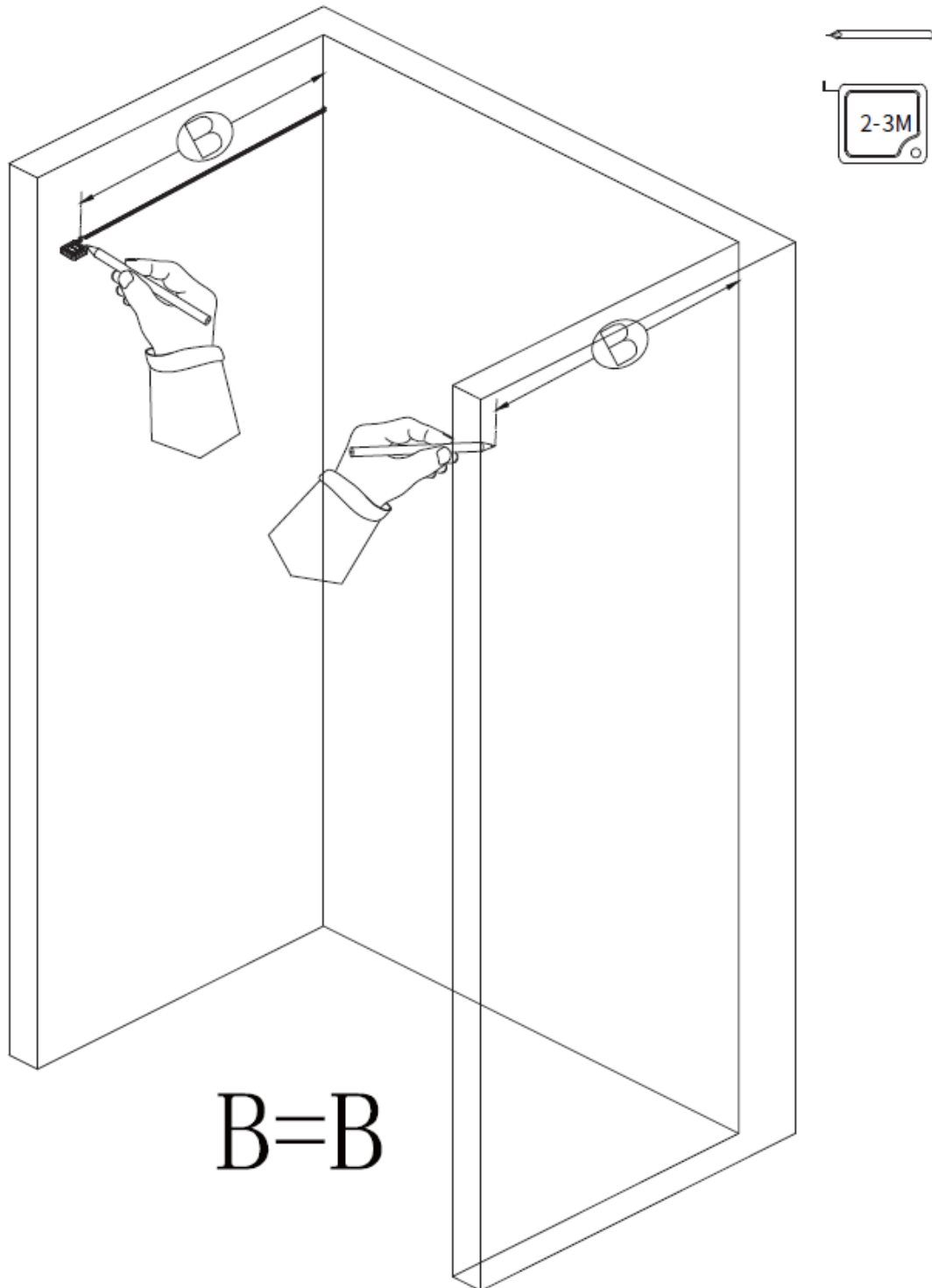
Included Parts



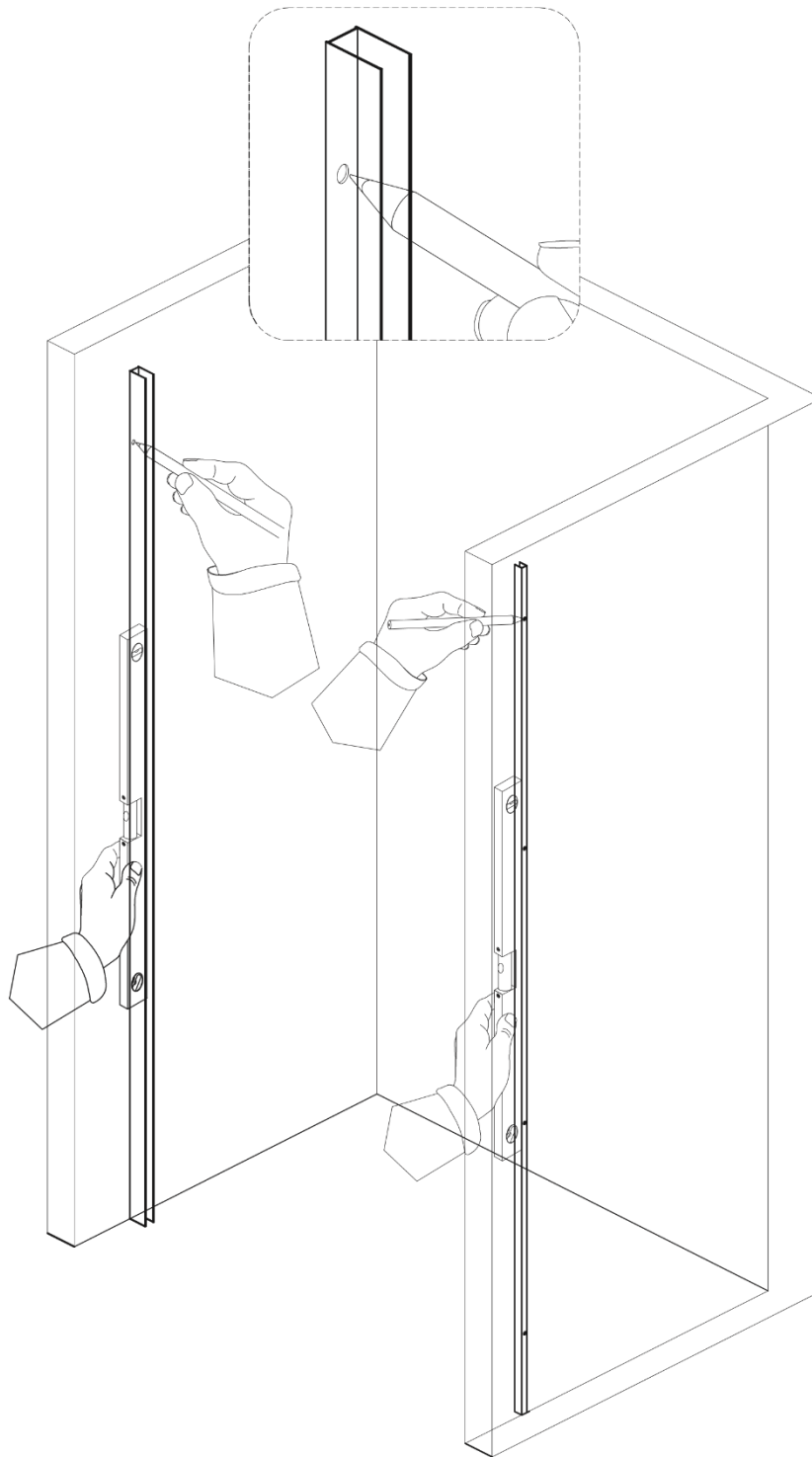
Ref	Description	Illustrations	Qty	Ref	Description	Illustration	Qty
①	Bottom Seal		1	⑨	Aluminium Profile Caps		2
②	Fixing Piece		(R/L) 1	⑩	Handles		1
③	Seal		1	⑪	Seal		2
④	Glass Door		1	⑫	Screws		4
⑤	Aluminium Profile		1	⑬	Aluminium Profile		1
⑥	Wall Plugs		10	⑭	Screws		4
⑦	Screws		4	⑮	Fixing Piece		1
⑧	Aluminium Profile Cap		1				

Aluminium Profile assembly

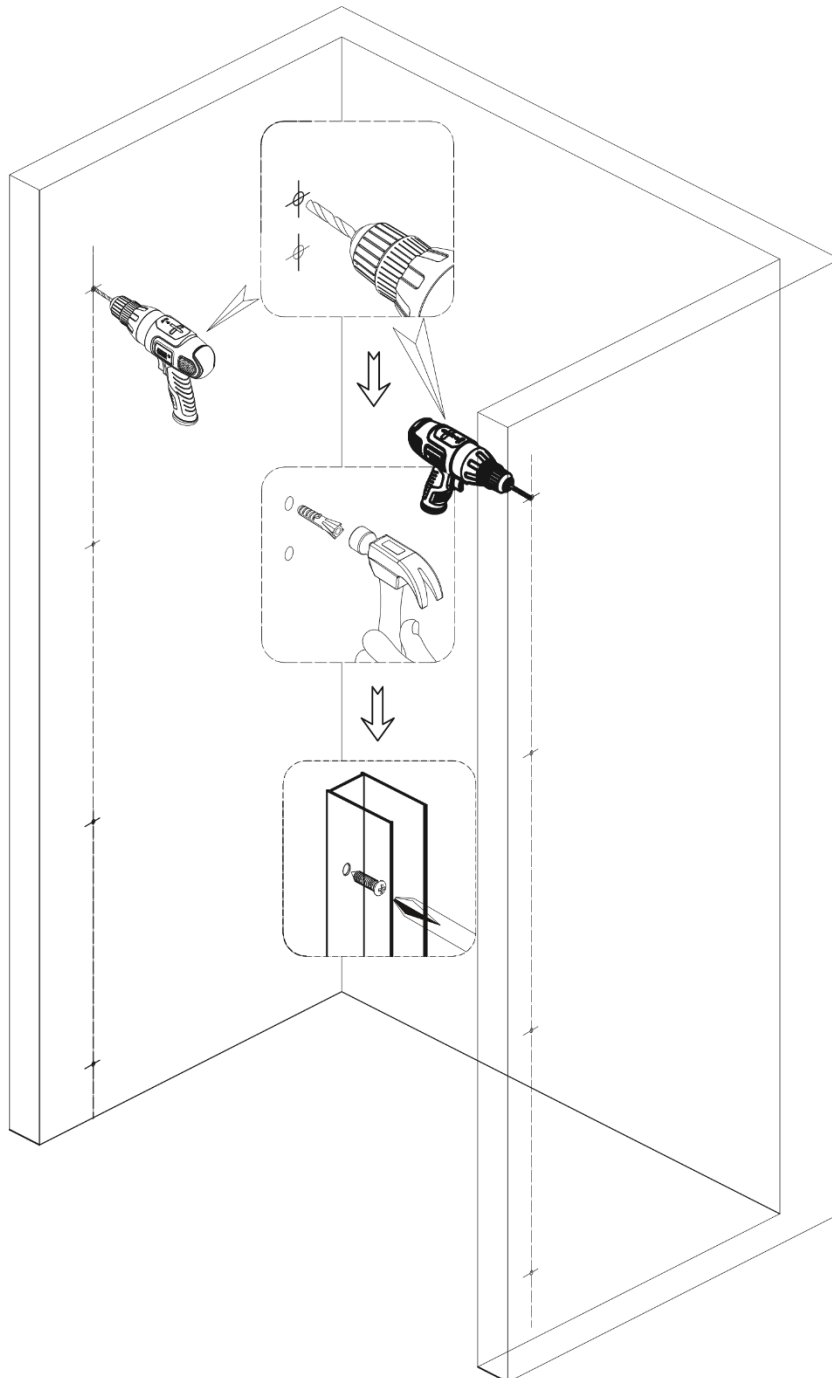
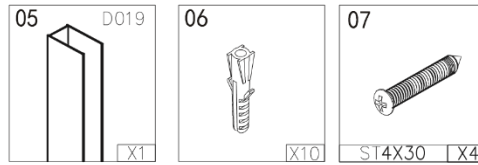
1. Measure the distance from the back wall, marking where the shower door will be installed.



2. Place the aluminium profiles against the walls, using a spirit level and marking where holes will be drilled.

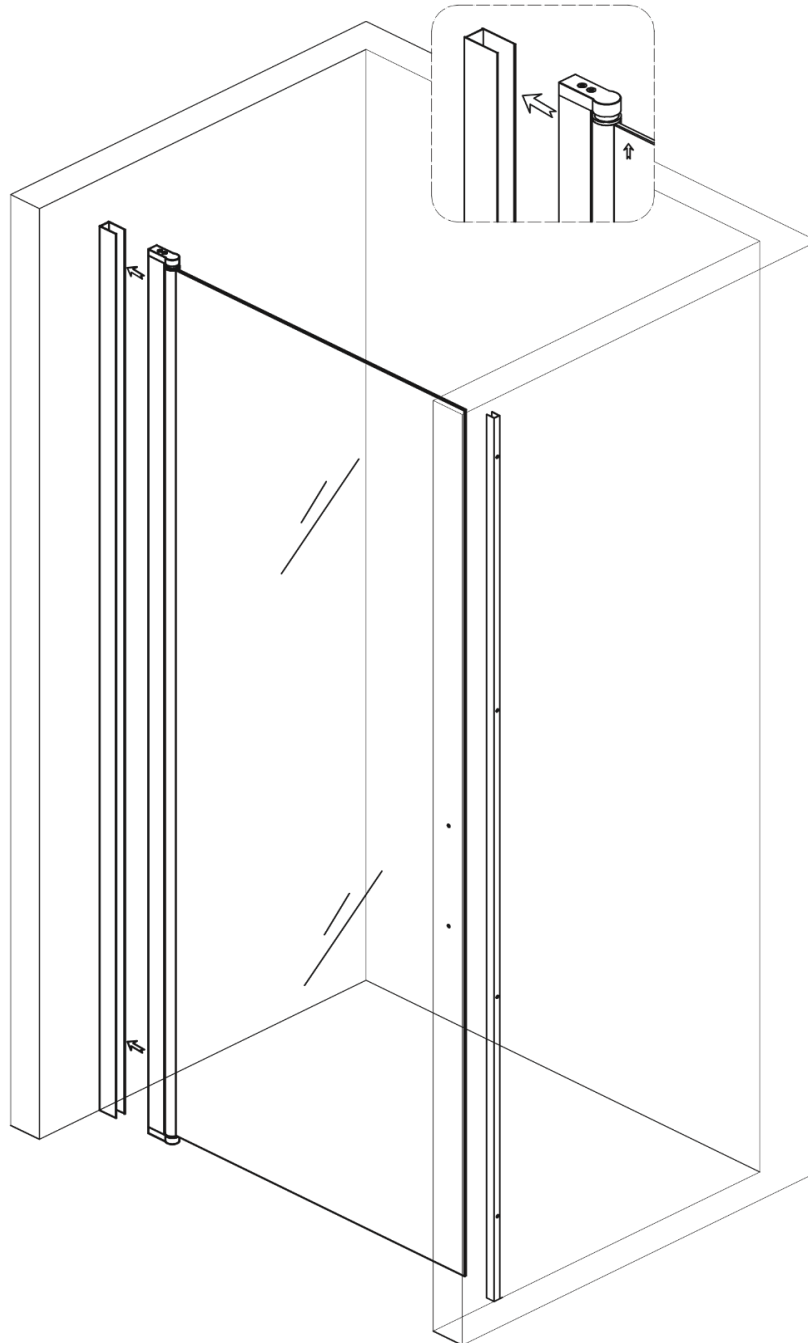


3. Drill the holes, inserting wall plugs and screwing the aluminium profiles onto each wall.

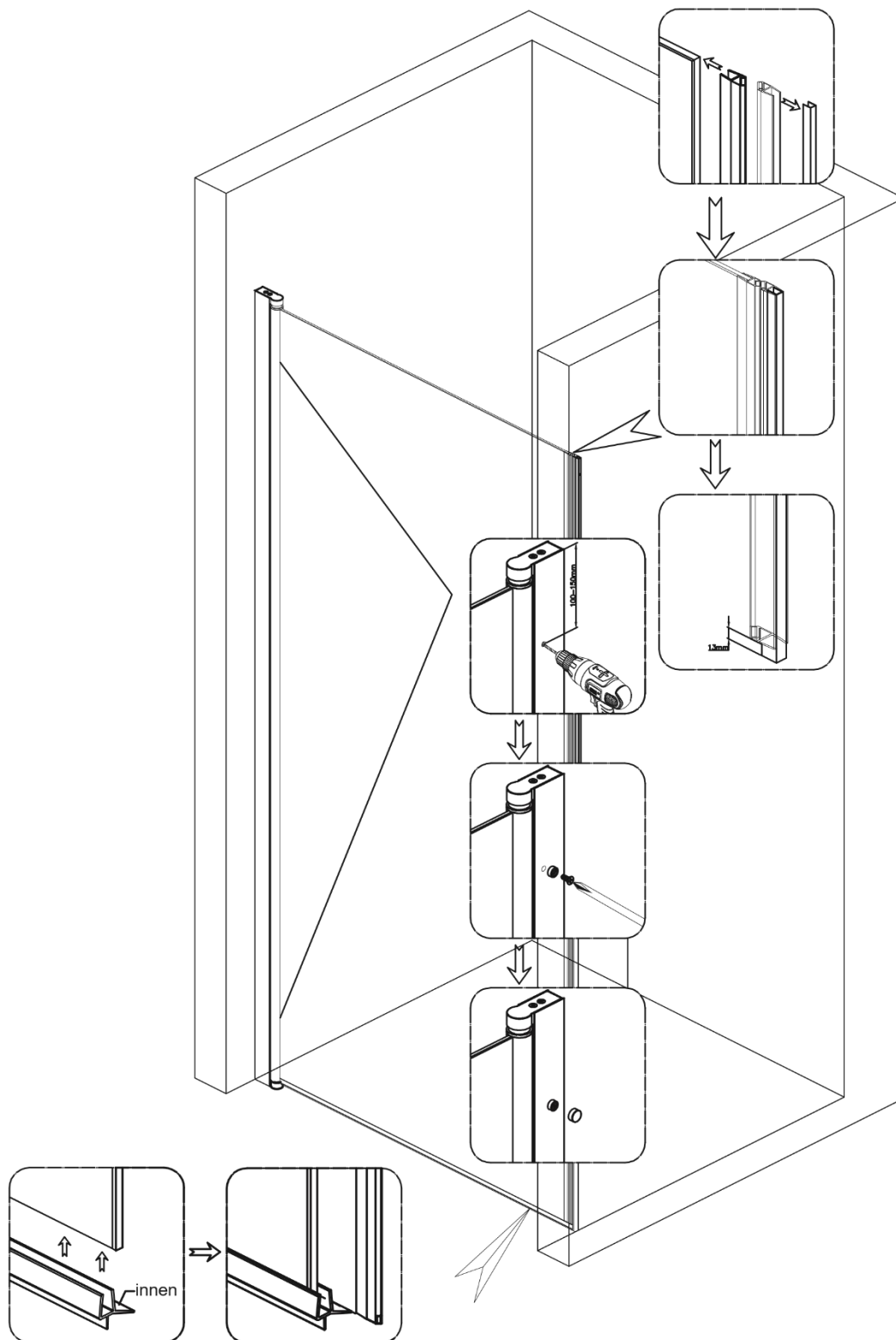


Glass door panel assembly

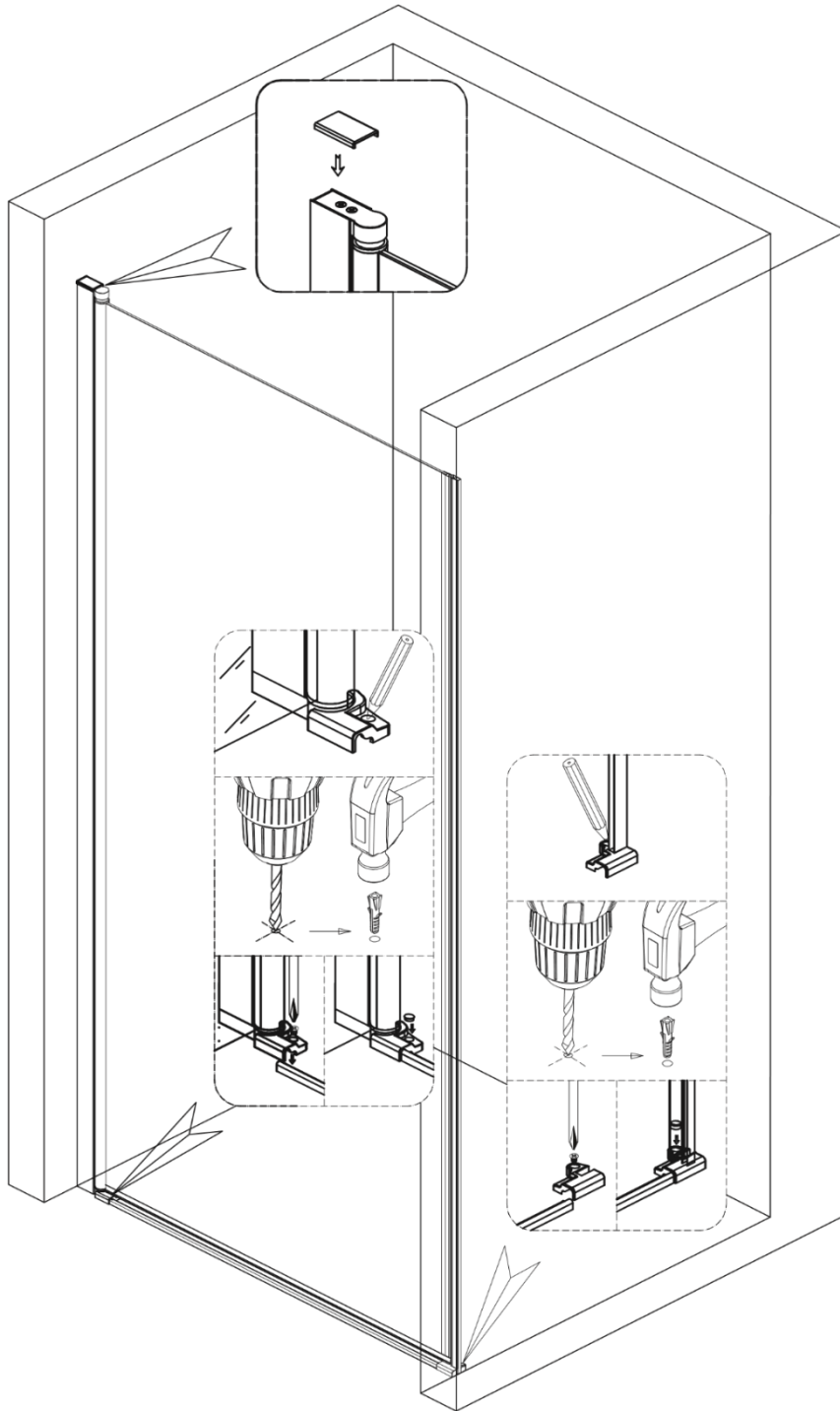
4. Carefully lift the glass door into place, sliding it into the aluminium profile.



5. Slide seals into place.
6. Drill pilot holes into the aluminium profiles.
7. Screw aluminium profile onto the glass door, inserting caps over holes.



8. Insert cap on top of the aluminium profile.
9. Slide the glass fixing pieces into place, marking where holes should be drilled.
10. Drill holes and insert plugs, screwing the fixing pieces into place.
11. Insert the weather bar into place.



Apply silicone sealant

12. Attach handles to the shower door.
13. Silicone and allow to dry for 24 hours.

