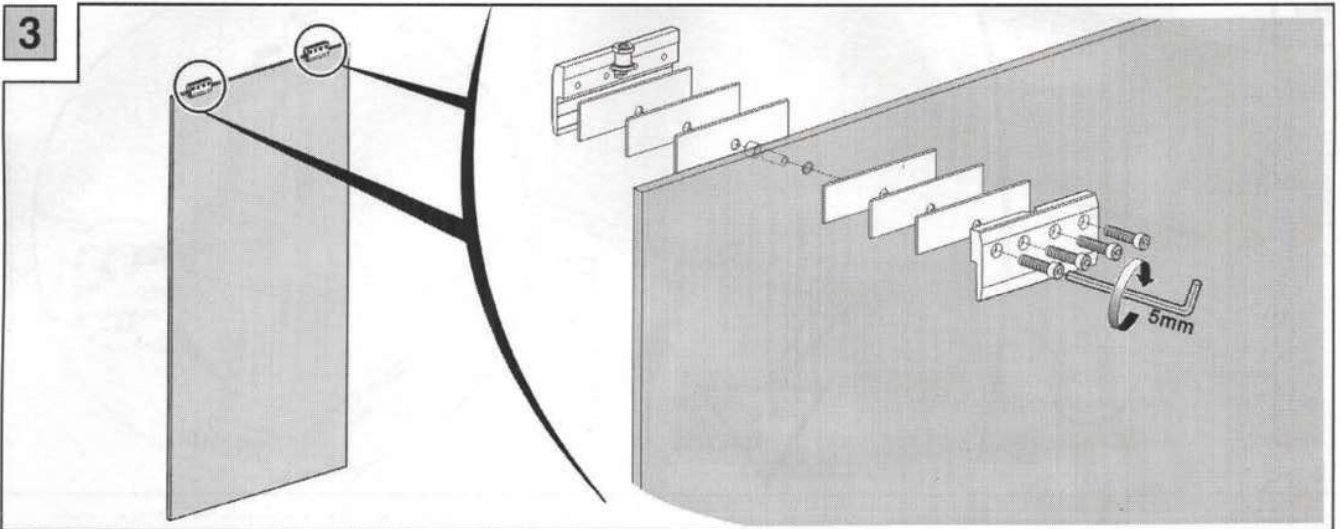
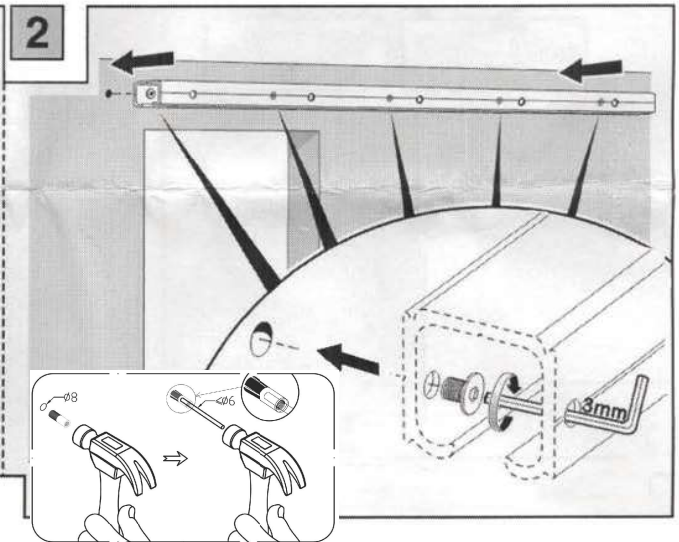
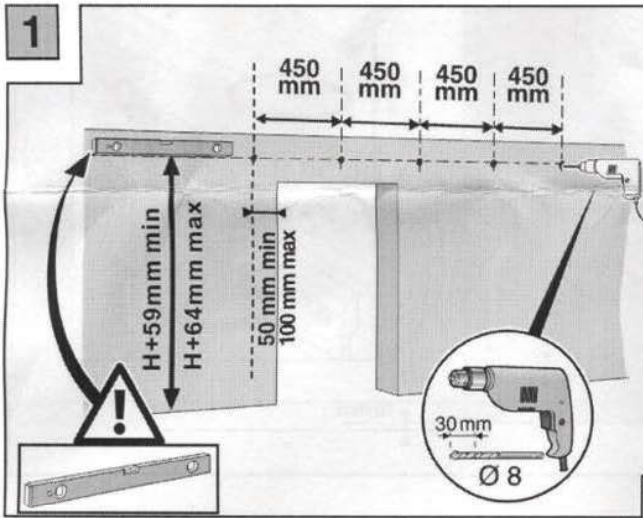
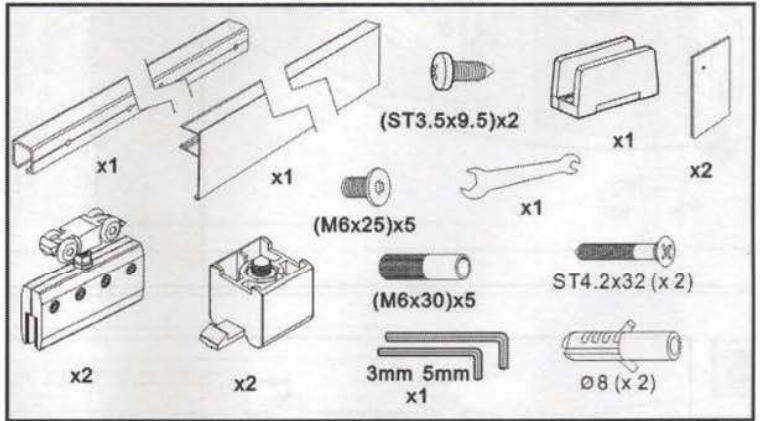
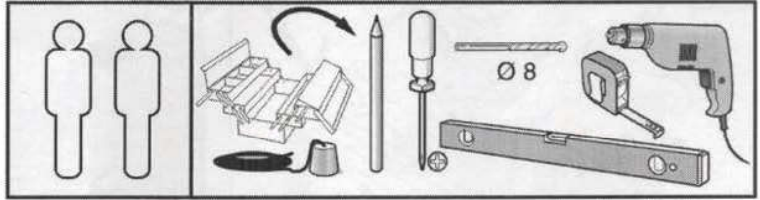
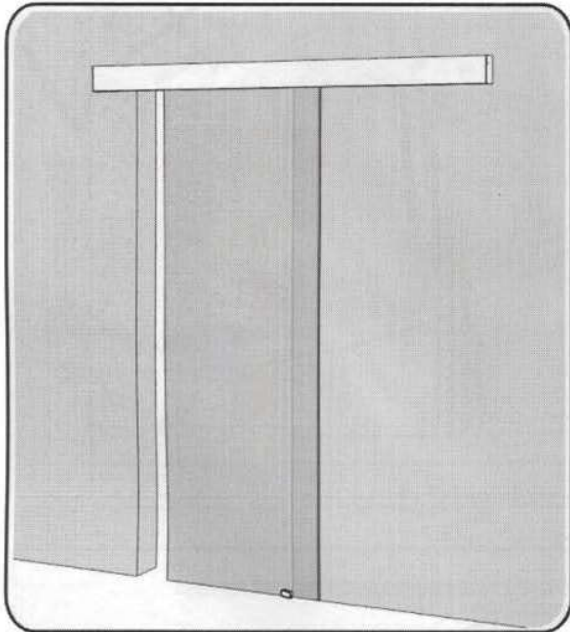




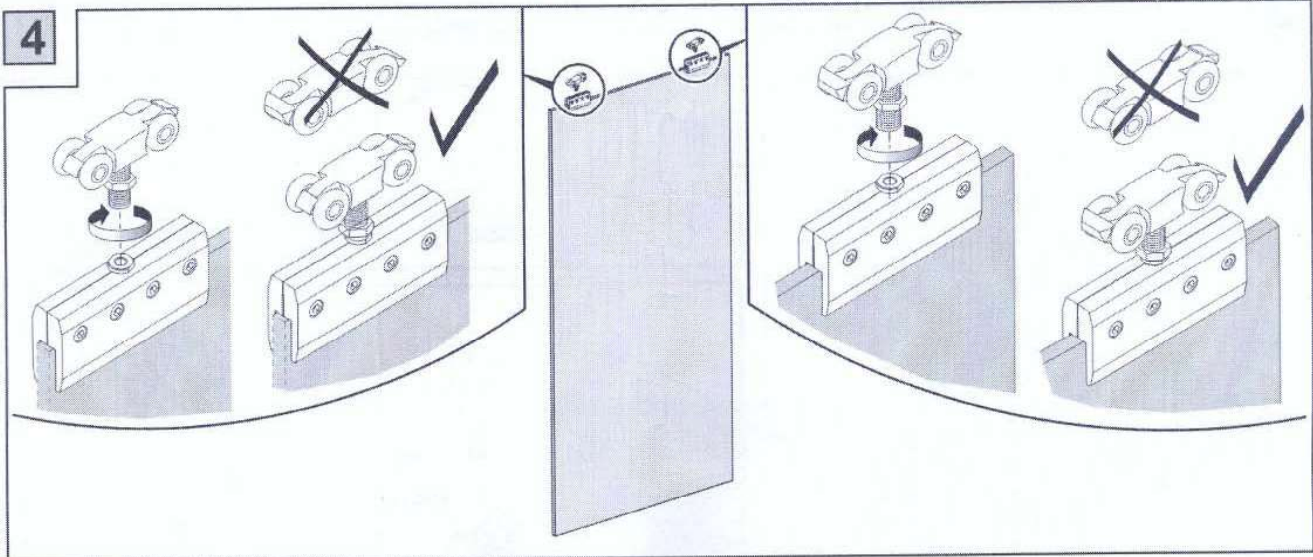
**DUROVIN**  
BATHROOMS

*Sliding Glass Door  
Without Soft Close  
Installation Manual*

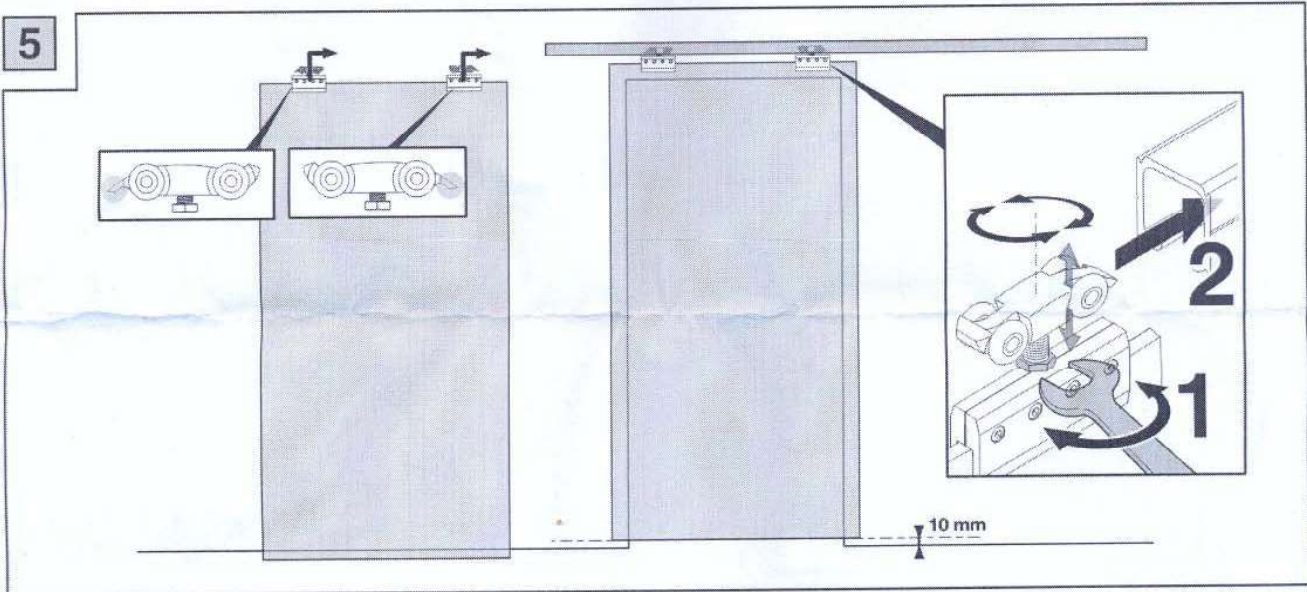
# Aluminium glass sliding door



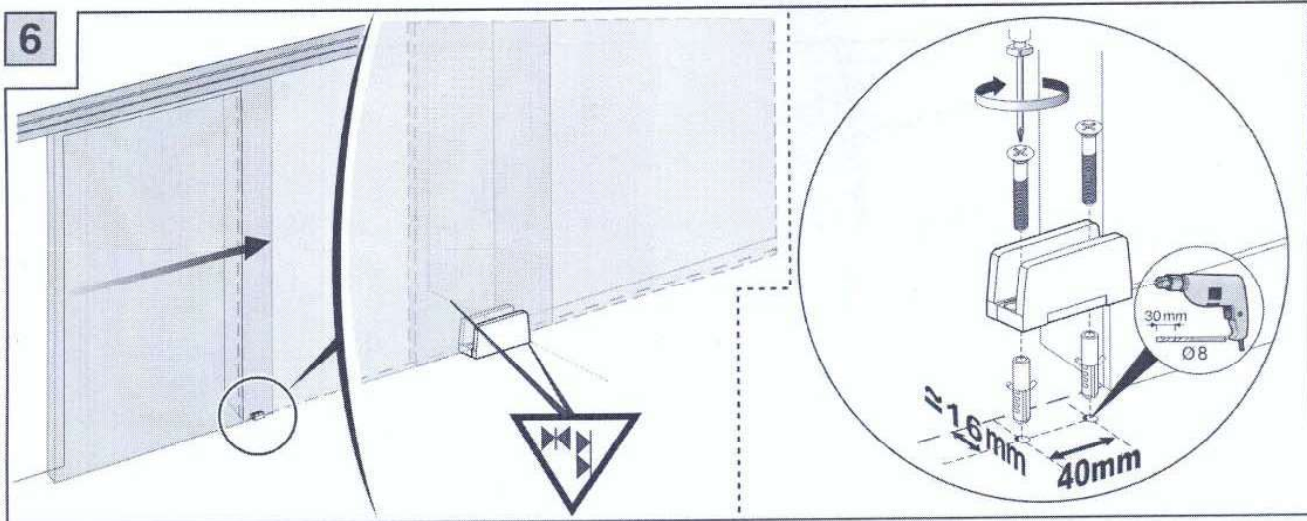
4



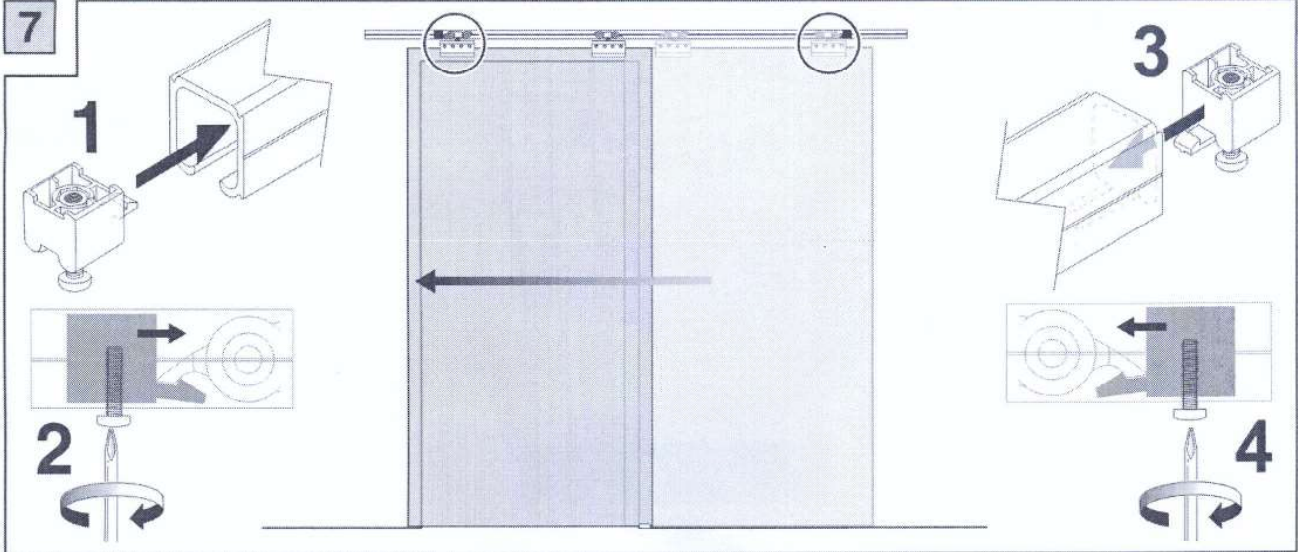
5



6



7



8

