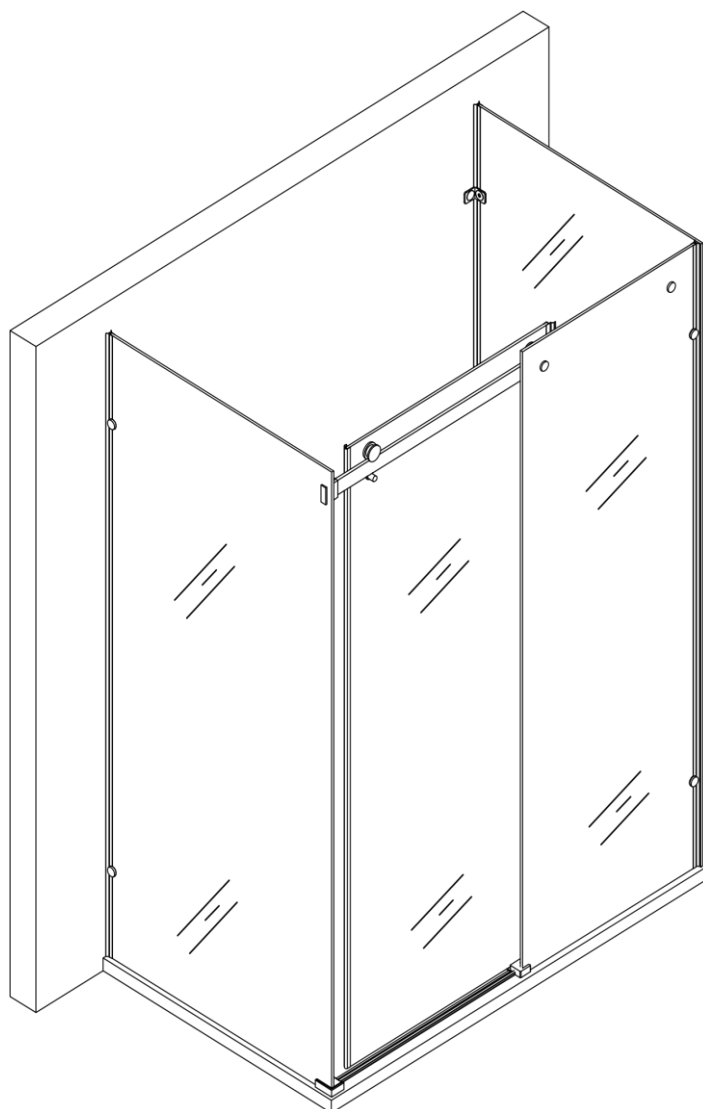




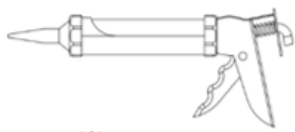
IMPORTANT SAFETY NOTES

- Under no circumstances should you attempt to drill through the glass, damage or injury may occur
- Please handle all glass with care, avoiding knocks and shock loading to all sides and edges. Safety glass cannot be reworked.
- Care should be taken when drilling into walls to avoid hidden pipes or electrical cables.

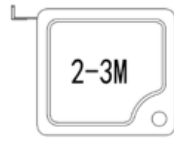


Ravenna 17-2nd U Shape

Tools Required



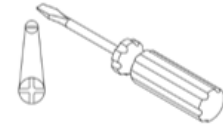
Silicone Gun



Tape Measure



Scissors



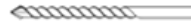
Philips Screwdriver



Hammer



Allen Keys



Drill Bit



Pencil



Power Drill



Level

Two people required. We recommend that a technically competent installer should undertake this installation.

Be sure you have all included parts and tools required before beginning installation and that you have plenty of space for assembly.

If you have ordered this shower enclosure with one of our shower trays, **please note** that tiling should be done before the shower tray is installed. This is so that the shower tray can be pushed up against the tiles and sealed with silicone.

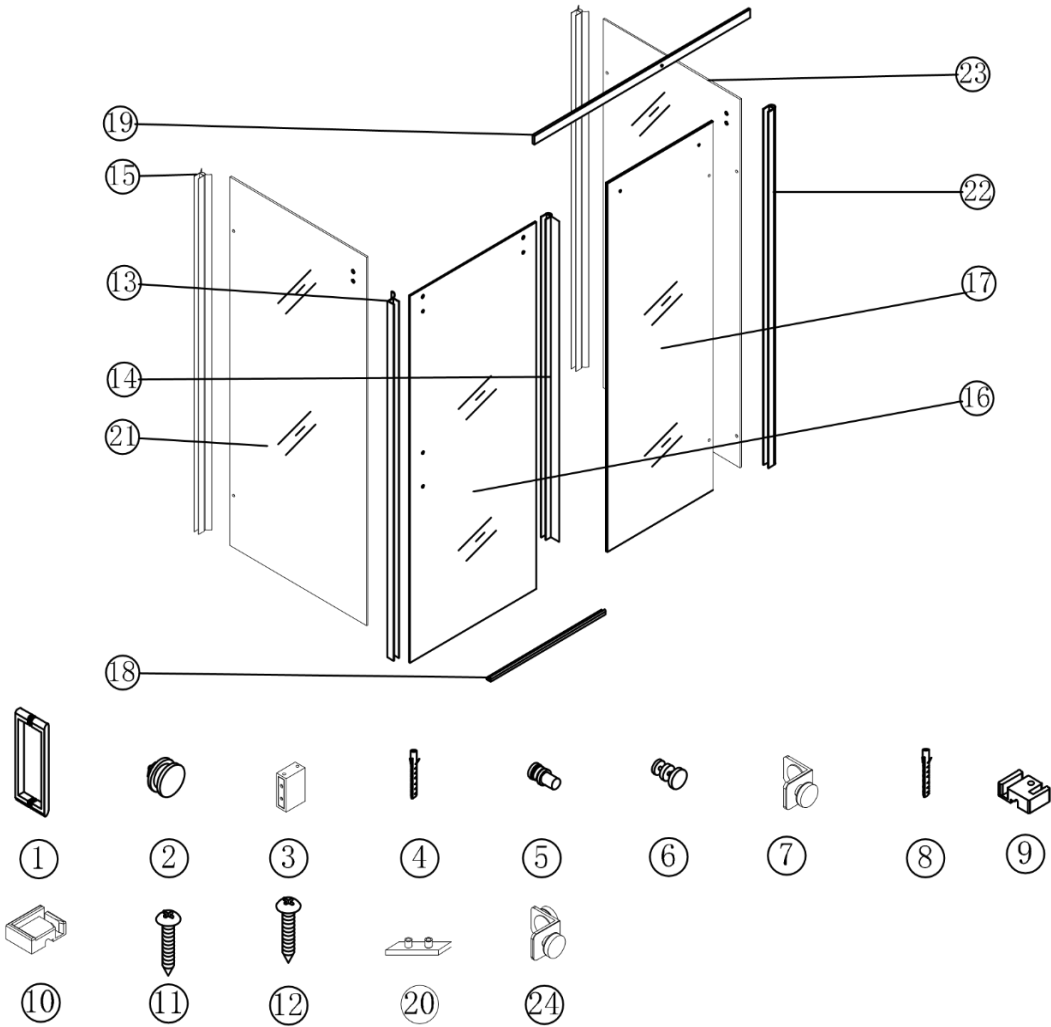
PRE-INSTALLATION AND TECHNICAL REQUIREMENTS

- All dimensions are shown in millimetres, except where otherwise indicated.
- Ensure that the enclosure set is fitted to a level floor and vertical wall surface.
- This instruction manual is applicable for both pre-tiled wall and plain walls.
- The wall fixings included with this product are suitable for solid walls only. Plasterboard or stud walls may require specialist fixings (not supplied).
- Due to the possibility of residual spray, the area around the outside of the shower tray should be tiled, or made otherwise water resistant.

IMPORTANT SAFETY NOTES

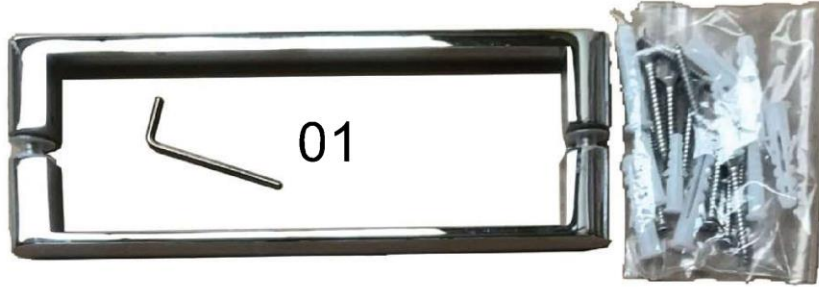
- Under no circumstances should you attempt to drill through the glass, damage or injury may occur
- Please handle all glass with care, avoiding knocks and shock loading to all sides and edges. Safety glass cannot be reworked.
- Care should be taken when drilling into walls to avoid hidden pipes or electrical cables.

Included Parts

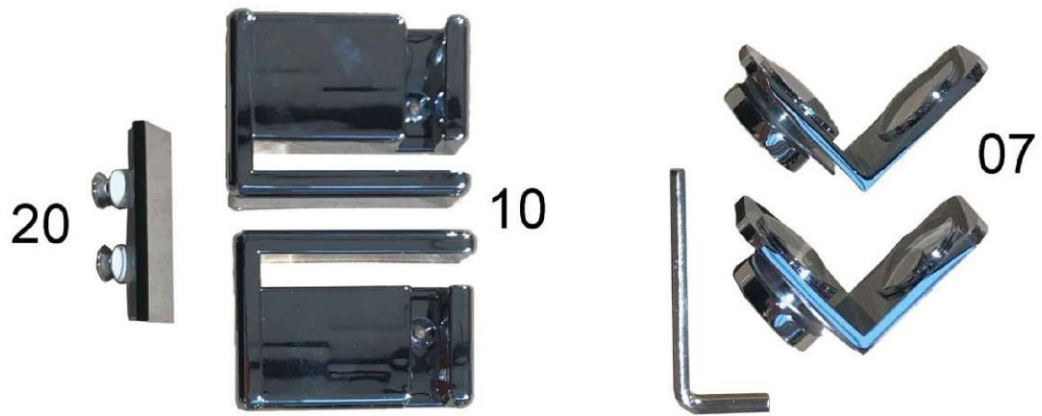


Ref	Description	Qty	Ref	Description	Qty	Ref	Description	Qty
①	Handle	1	⑨	Glass Fixing Piece	1	⑰	Glass Side Panel	1
②	Door Rollers	2	⑩	Glass Fixing Piece	1	⑱	Bottom Door Seal	1
③	Support Bar Brackets	2	⑪	Screws	3	⑲	Supporting Bar	1
④	Wall Plugs	3	⑫	Screws	4	⑳	Support Bar Brackets	2
⑤	Anti-jump Cap	2	⑬	Glass Door Seal	1	㉑	Glass Side Panel	1
⑥	Anti-jump Roller	2	⑭	Glass Door Seal	1	㉒	Side Panel Seal	1
⑦	Brackets	4	⑮	Side Panel Seal	2	㉓	Glass Side Panel	1
⑧	Wall Plugs	4	⑯	Glass Door	1	㉔	Brackets	2

04,08,11,12



D56 Accessory Box



D57 Accessory Box



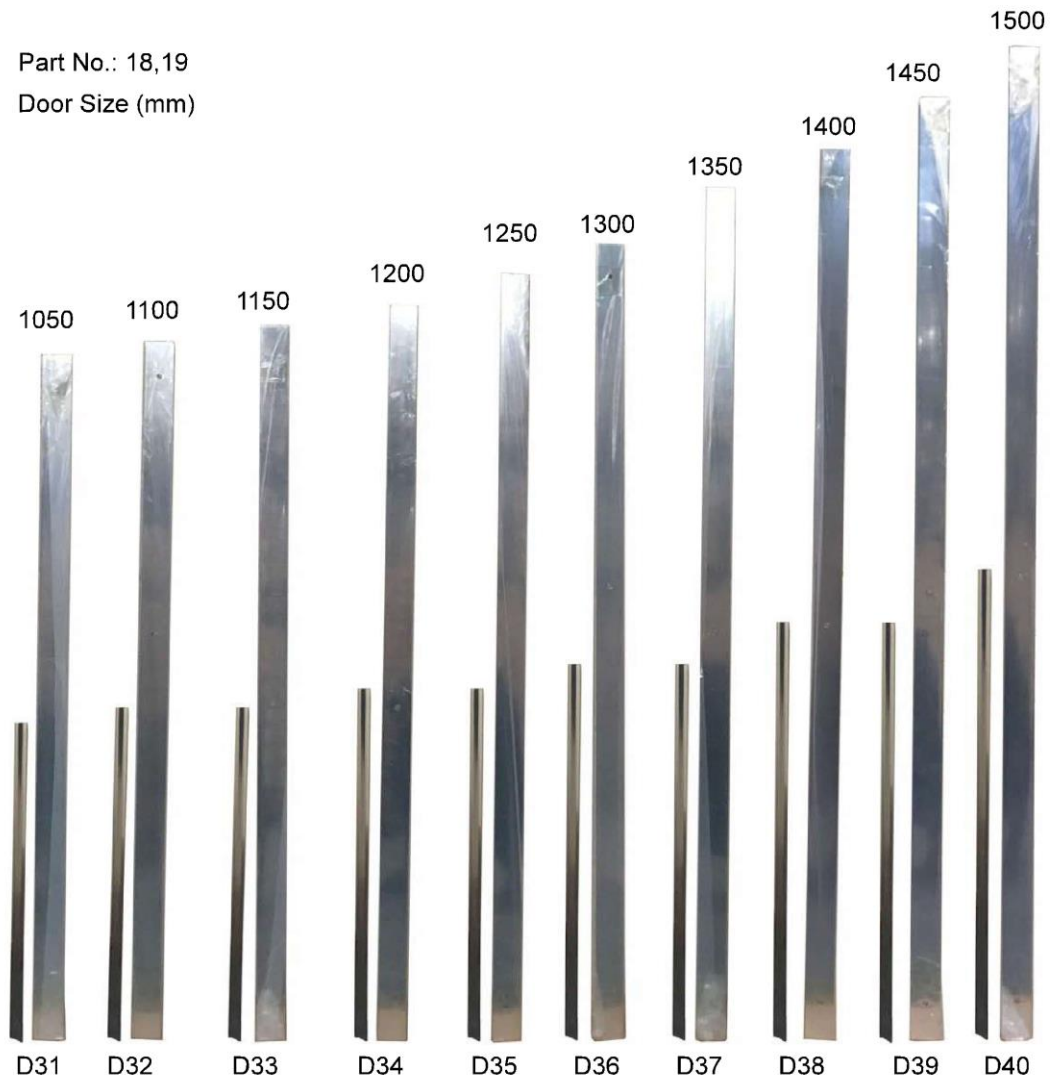
D58 Accessory Box

22 15 13 14



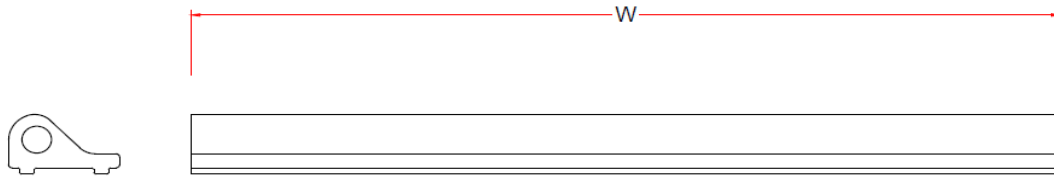
E66 Accessory Box

Part No.: 18,19
Door Size (mm)



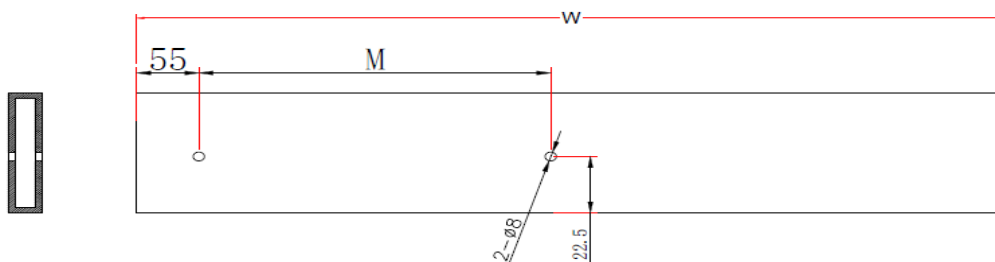
Aluminium Bar & Top Rail Accessory Box

Note: The aluminium bars need to be cut to length. Please find the required length shown on the table based on your shower enclosure's door size.



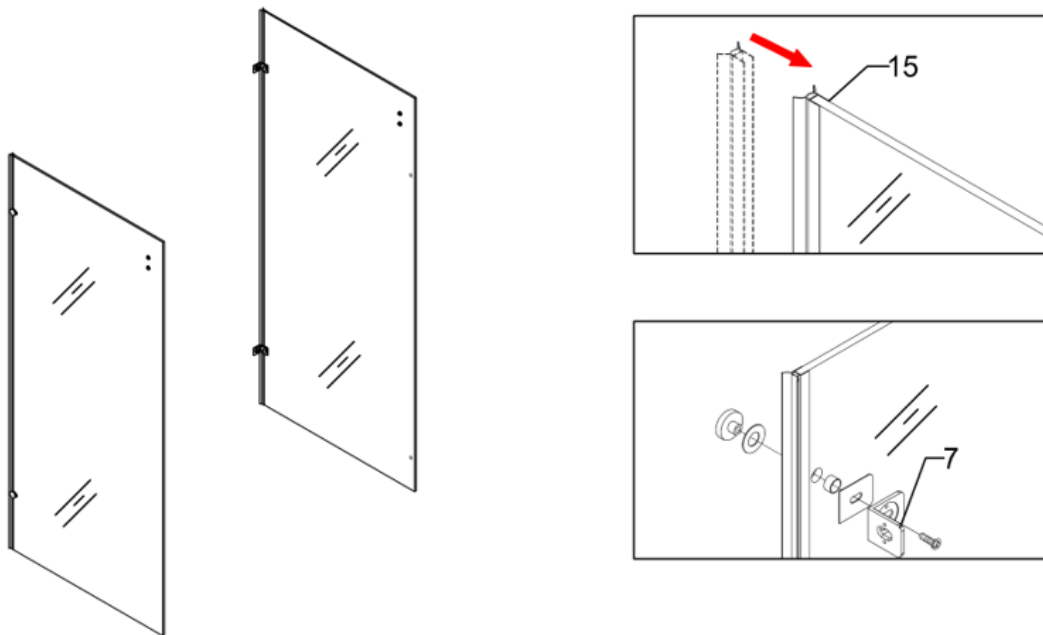
Door Size (mm)	Weather bar W (mm)
1050/1000*1950	490
1150/1100*1950	540
1250/1200*1950	590
1350/1300*1950	640
1400/1450/1550*1950	690
1500*1950	740

Attention: Please cut this aluminium bar from right side, make sure the distance between the hole and the edge match the one shown on this diagram.

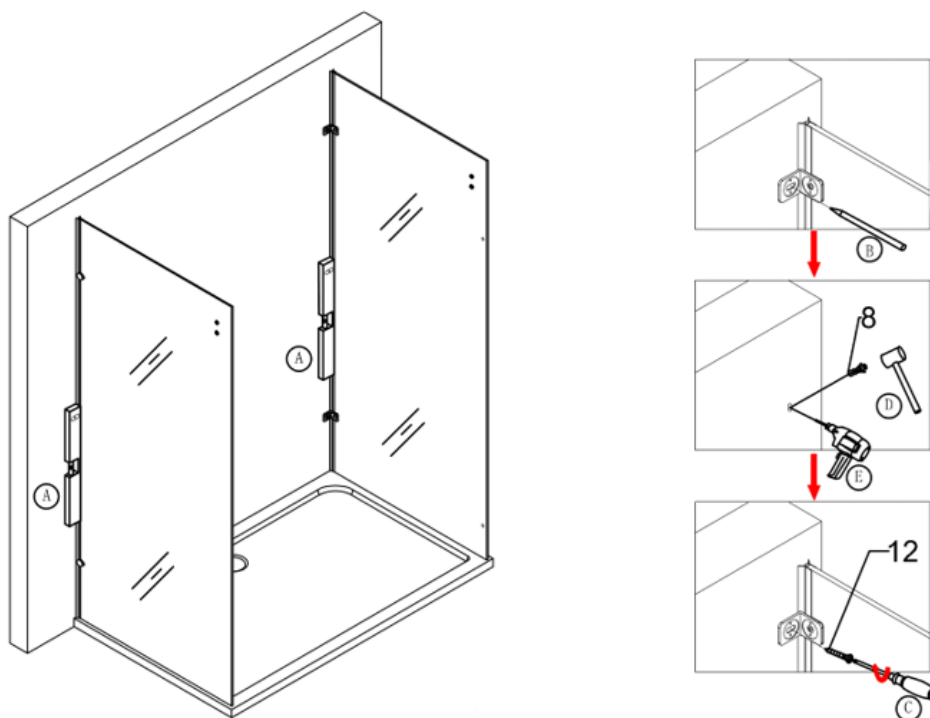


Door Size (mm)	W (mm)	M (mm)
1000*1950	970	360
1050*1950	1020	410
1100*1950	1070	
1150*1950	1120	460
1200*1950	1170	
1250*1950	1220	510
1300*1950	1270	
1350*1950	1320	560
1400*1950	1370	
1450*1950	1420	610
1500*1950	1470	

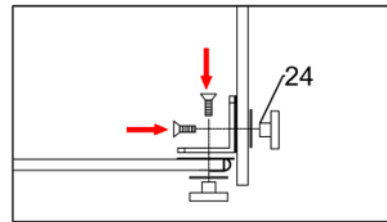
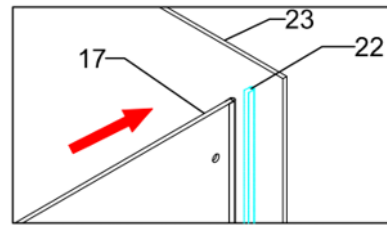
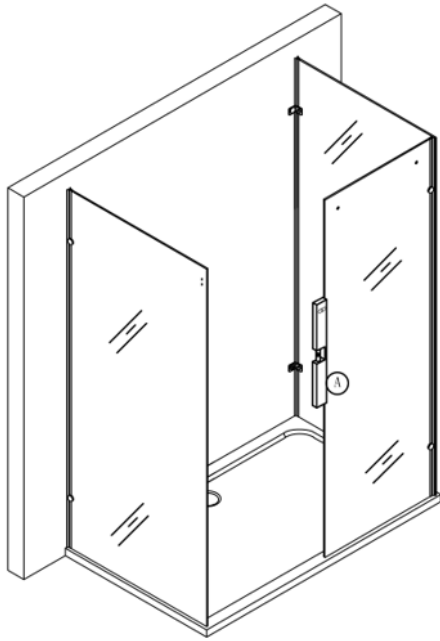
Glass side panel assembly



1. Attach seals to the end of the side panels where it will touch the wall.
2. Attach all four brackets to the same ends of the side panels.

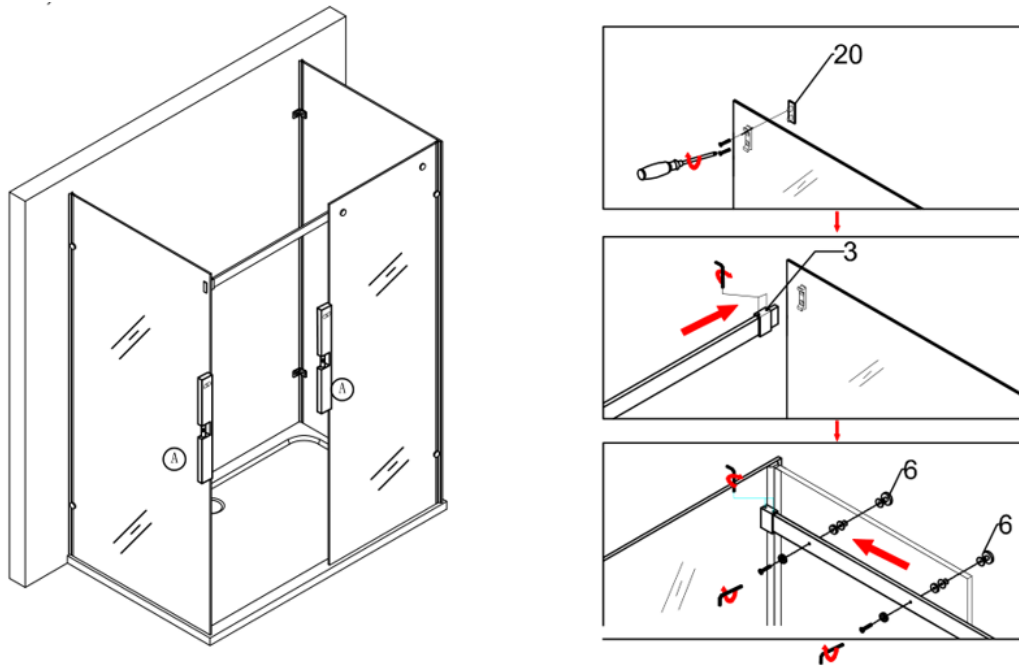


3. Carefully and individually lift the side panels into place, marking on the wall where holes will be drilled to attach the brackets.
4. Drill holes and insert wall plugs.
5. Carefully screw the side panels onto the wall.

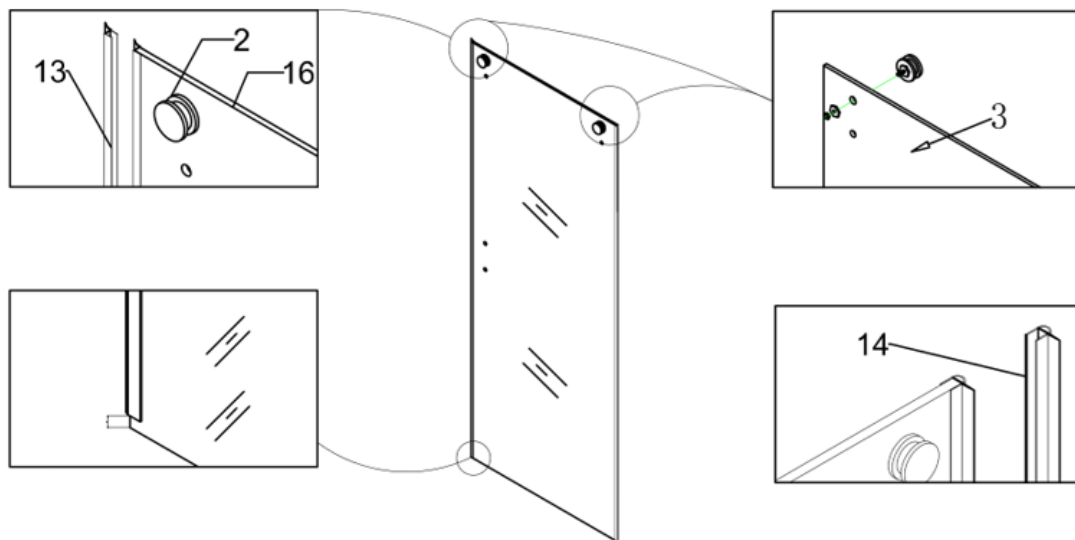


6. Attach the seal to side panel.
7. Carefully lift the side panel into place and attach the brackets.

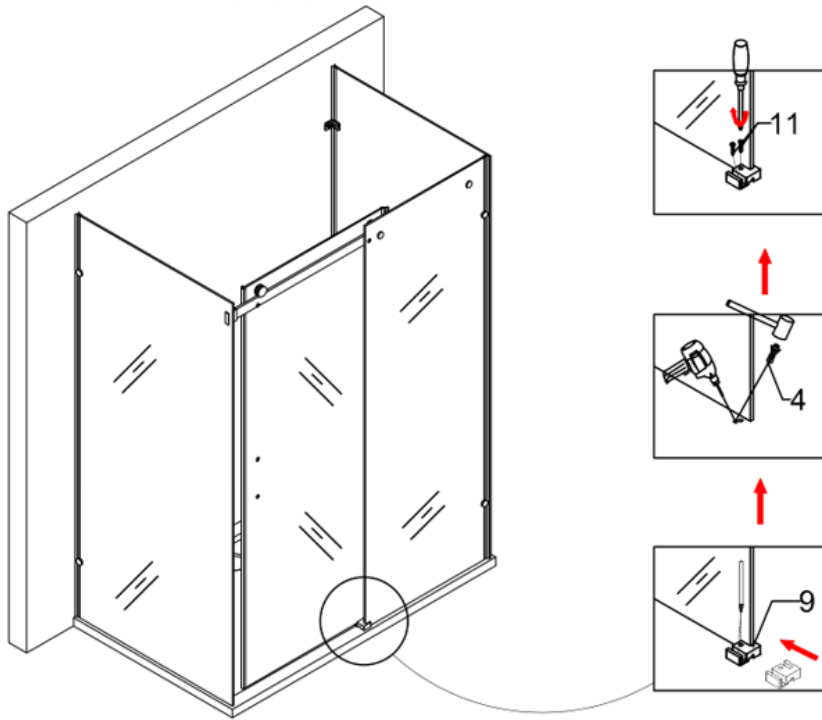
Glass door panel assembly



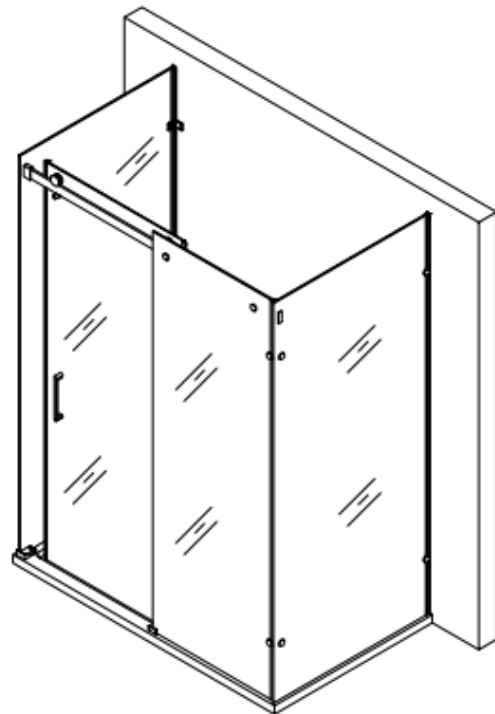
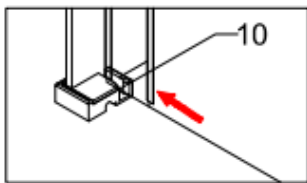
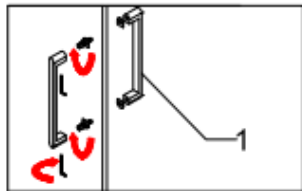
8. Screw the support bar end plate into place.
9. Lift the support bar into place, attaching it to all three side panels.



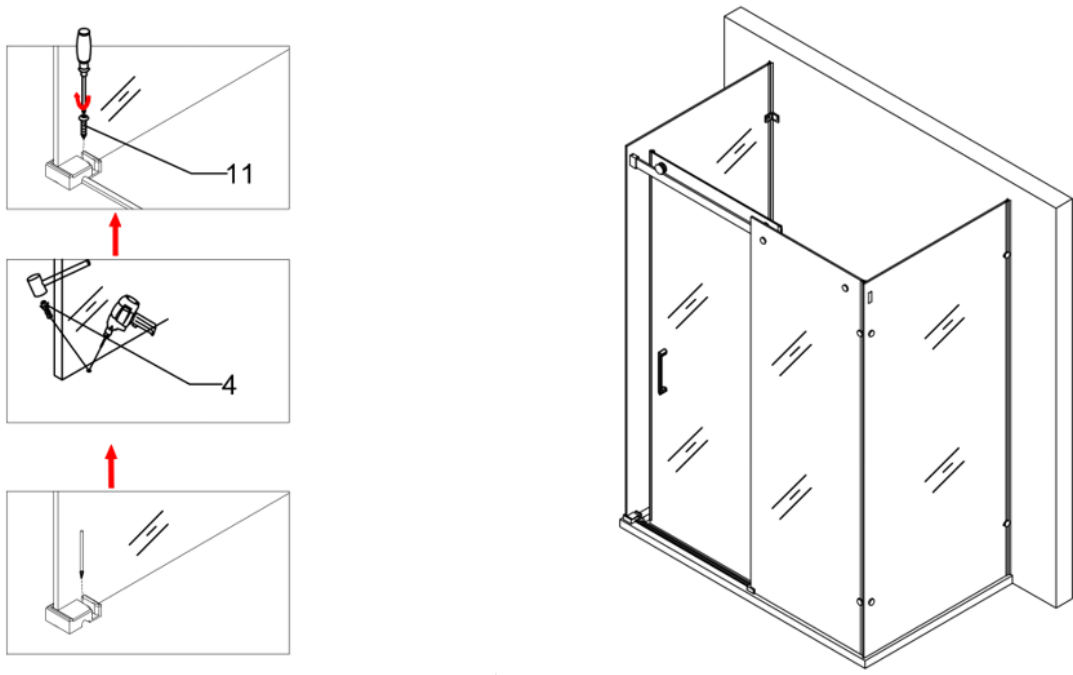
10. Slide seals onto the glass door and attach the rollers.



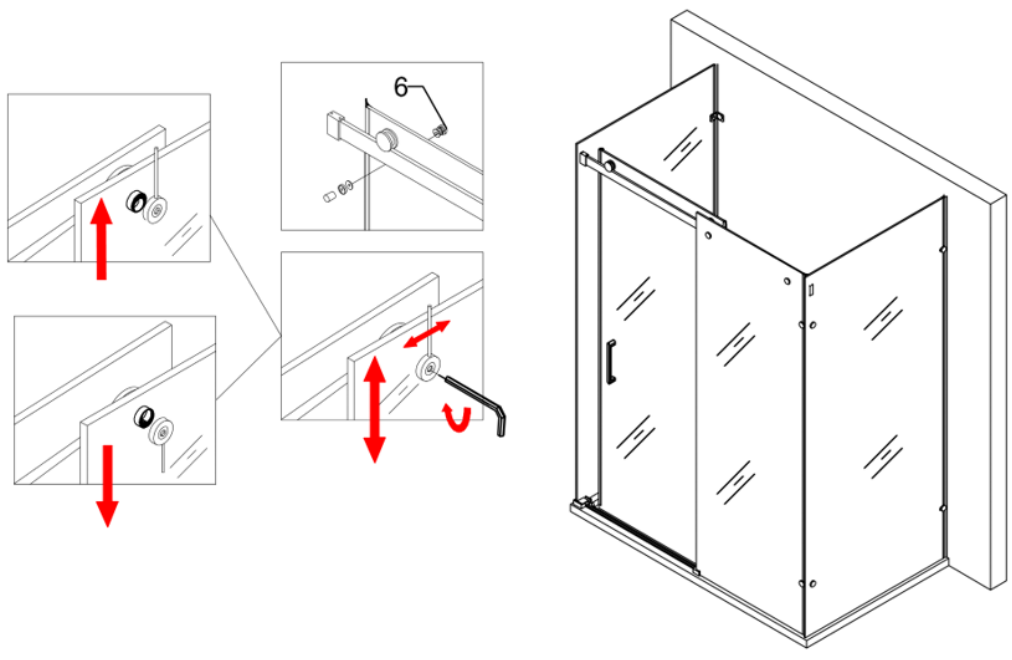
11. Mark where the glass fixing piece will be placed.
12. Drill hole and insert plug.



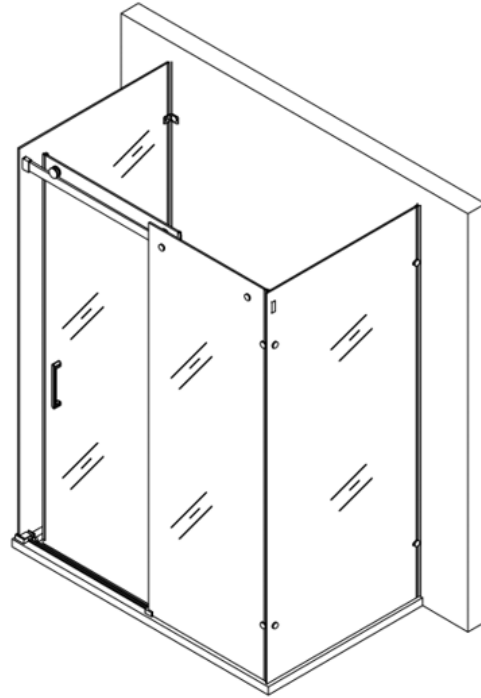
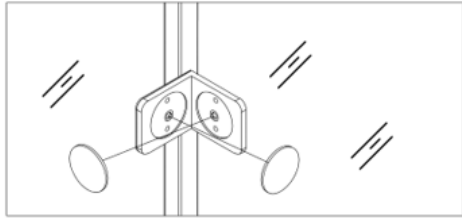
13. Attach the handles to the glass door.
14. Slide glass fixing piece into place.



- 15. Mark where the hole for the glass fixing piece will need to be drilled.
- 16. Drill hole and insert plug.
- 17. Screw the fixing piece into place.



- 18. Adjust and tighten the glass door rollers if needed.
- 19. Attach the anti-jump rollers.



20. Attach caps on the inside of all brackets to protect against water.