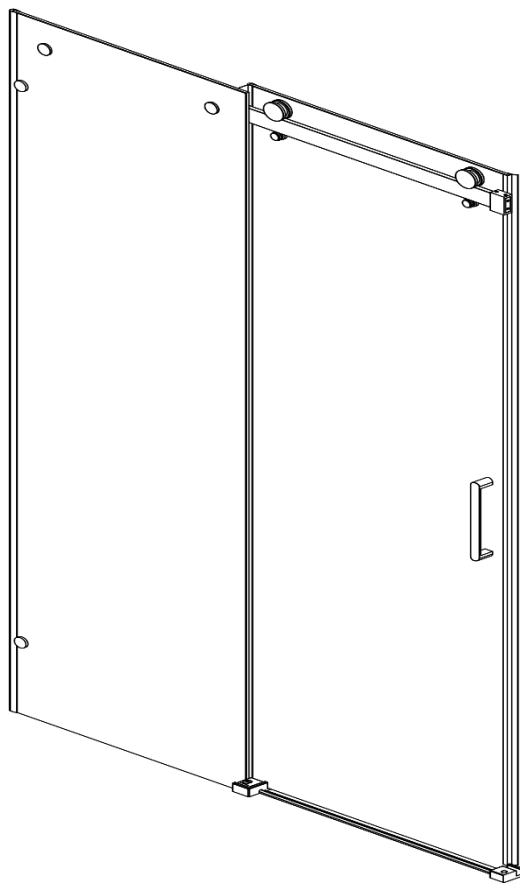




DUROVIN
BATHROOMS



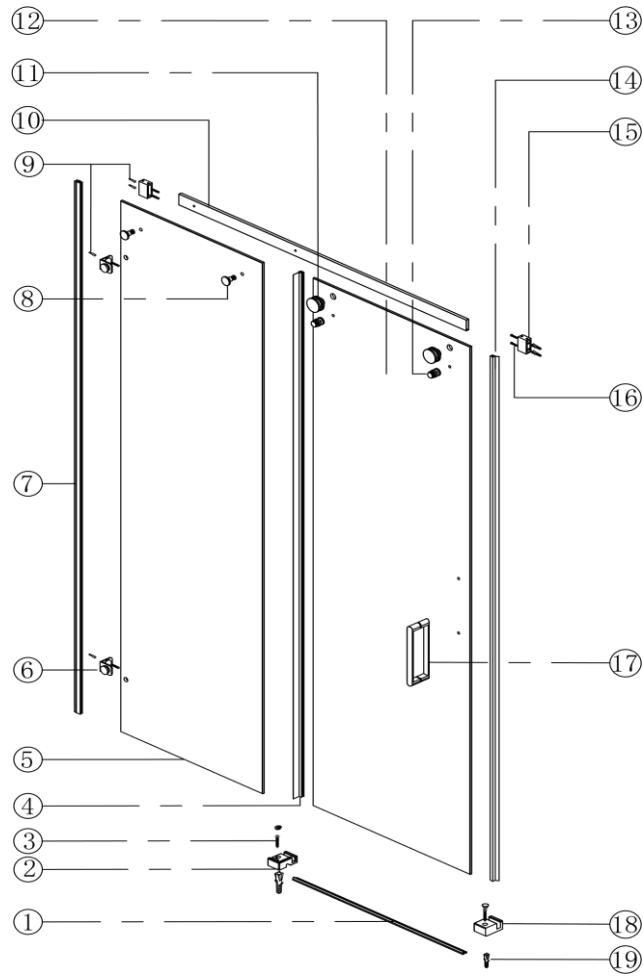
DR04


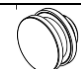













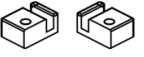


Ravenna 17-2nd Door Only Instructions

Table of Contents

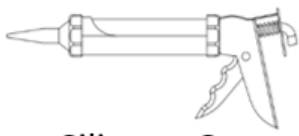
Included Parts	3
Tools Required	4
Sealing strip and brackets assembly	5
Glass side panel assembly	7
Glass door panel assembly	10
Apply silicone sealant	12

Included Parts

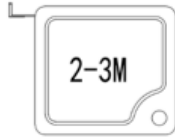


Ref	Description	Illustrations	Qty	Ref	Description	Illustration	Qty
①	Bottom Seal		1	⑪	Glass Door Rollers		2
②	Glass Fixing Piece		(R/L) 1	⑫	Glass Door		1
③	Screws		2	⑬	Caps		2
④	Door Seal		1	⑭	Door Seal		1
⑤	Glass Side Panel		1	⑮	Supporting Bar End Caps		2
⑥	Brackets		2	⑯	Screws		6
⑦	Side Panel Seal		1	⑰	Handles		1
⑧	Caps		2	⑱	Glass Fixing Piece		(R/L) 1
⑨	Wall Plugs		6				
⑩	Supporting Bar		1				

Tools Required



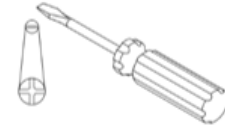
Silicone Gun



Tape Measure



Scissors



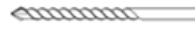
Philips Screwdriver



Hammer



Allen Keys



Drill Bit



Pencil



Power Drill



Level

Two people required. We recommend that a technically competent installer should undertake this installation.

Be sure you have all included parts and tools required before beginning installation and that you have plenty of space for assembly.

If you have ordered this shower enclosure with one of our shower trays, **please note** that tiling should be done before the shower tray is installed. This is so that the shower tray can be pushed up against the tiles and sealed with silicone.

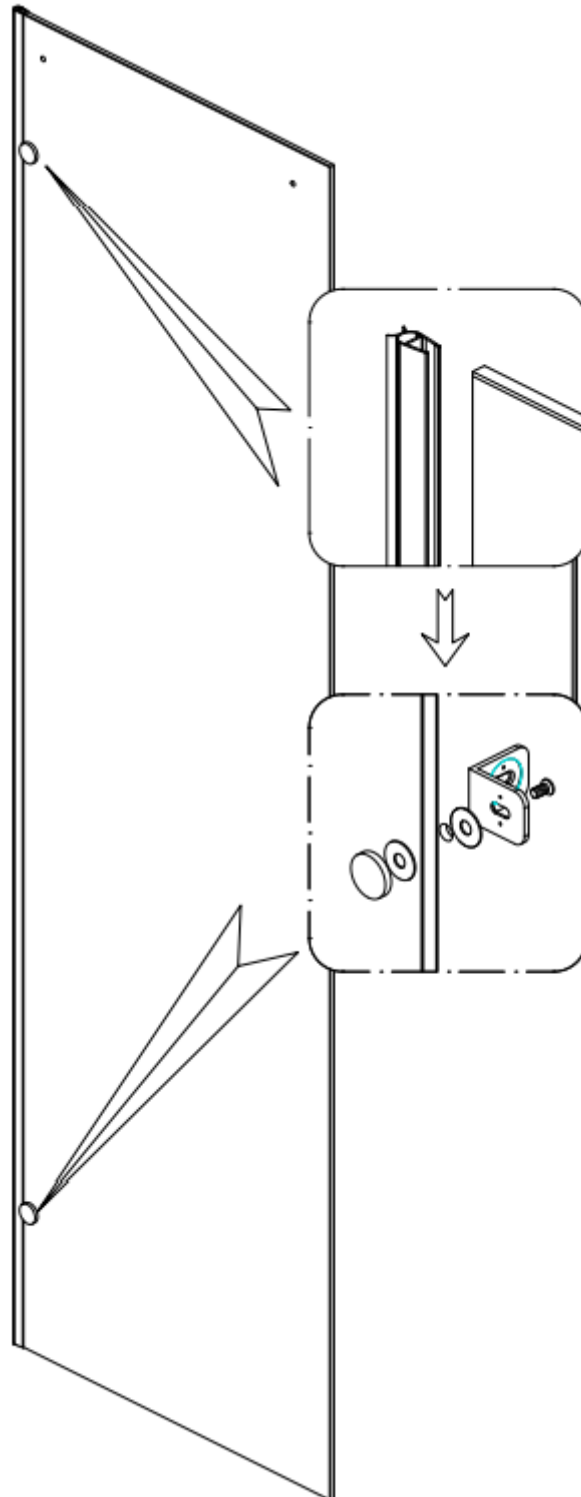
PRE-INSTALLATION AND TECHNICAL REQUIREMENTS

- All dimensions are shown in millimetres, except where otherwise indicated.
- Ensure that the enclosure set is fitted to a level floor and vertical wall surface.
- This instruction manual is applicable for both pre-tiled wall and plain walls.
- The wall fixings included with this product are suitable for solid walls only. Plasterboard or stud walls may require specialist fixings (not supplied).
- Due to the possibility of residual spray, the area around the outside of the shower tray should be tiled, or made otherwise water resistant.

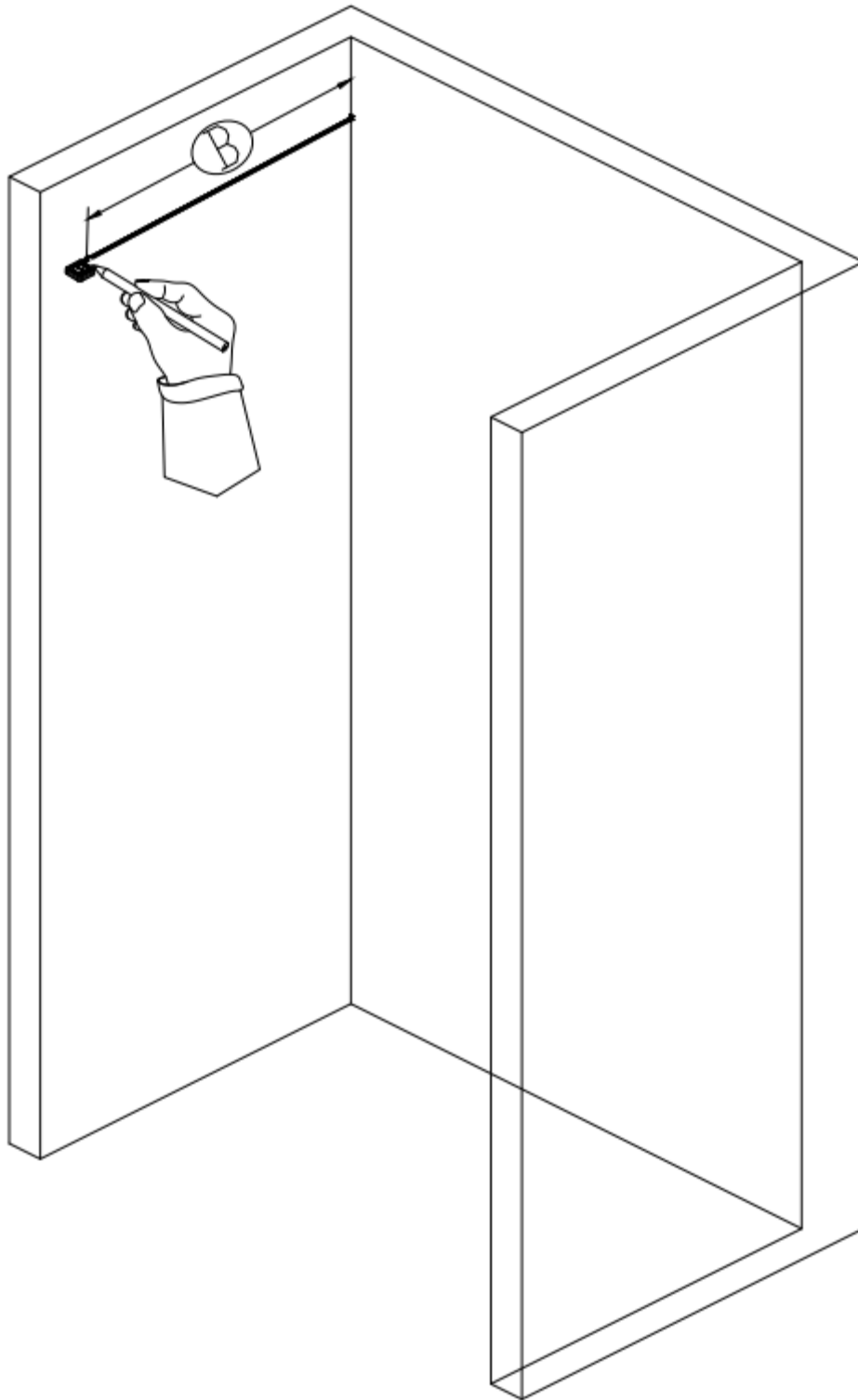
IMPORTANT SAFETY NOTES

- Under no circumstances should you attempt to drill through the glass, damage or injury may occur
- Please handle all glass with care, avoiding knocks and shock loading to all sides and edges. Safety glass cannot be reworked.
- Care should be taken when drilling into walls to avoid hidden pipes or electrical cables.

Sealing strip and brackets assembly



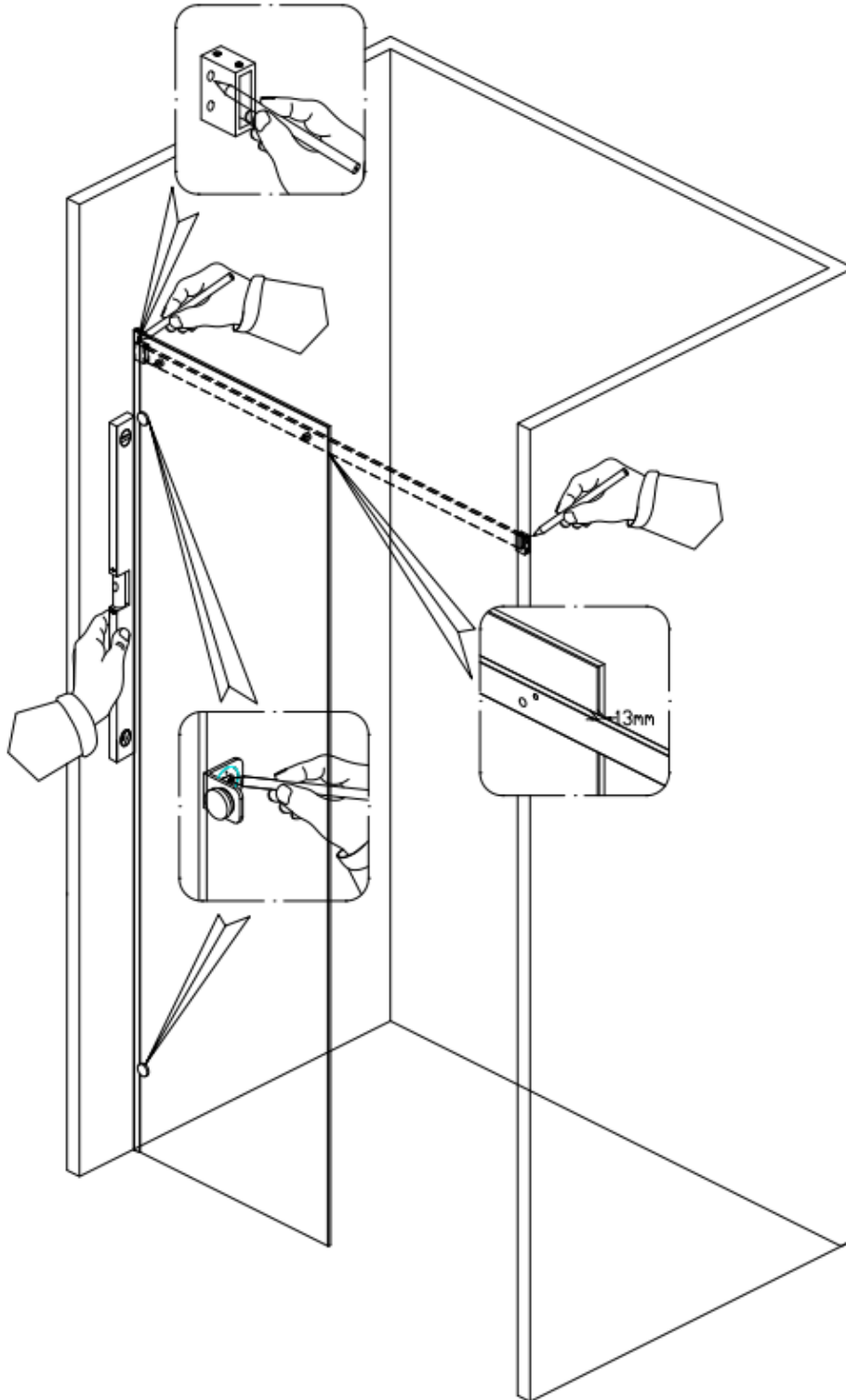
1. Attach the sealing strip onto the glass panel.
2. Attach brackets to the glass panel.

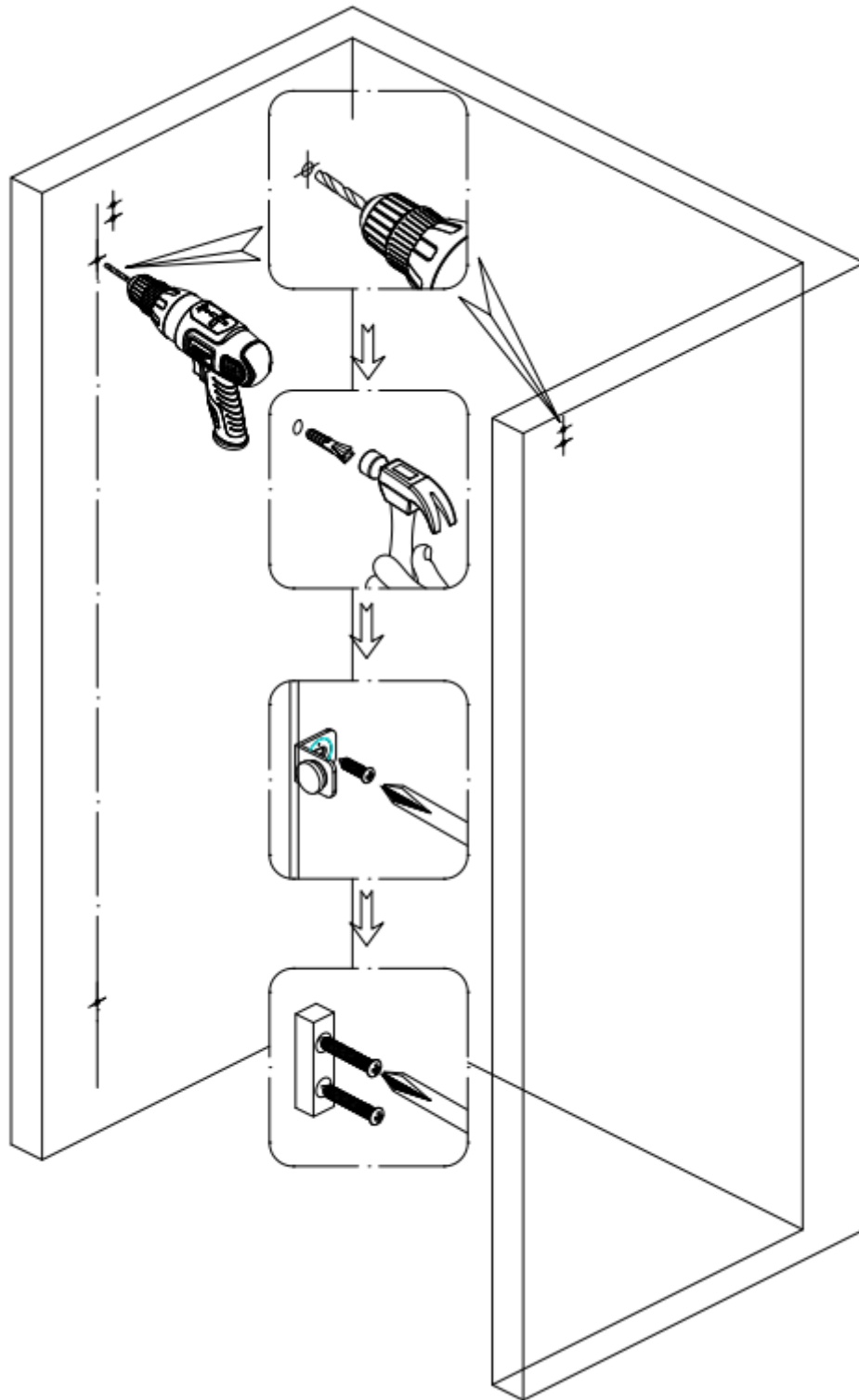


3. Measure how far the door will be from the back wall.

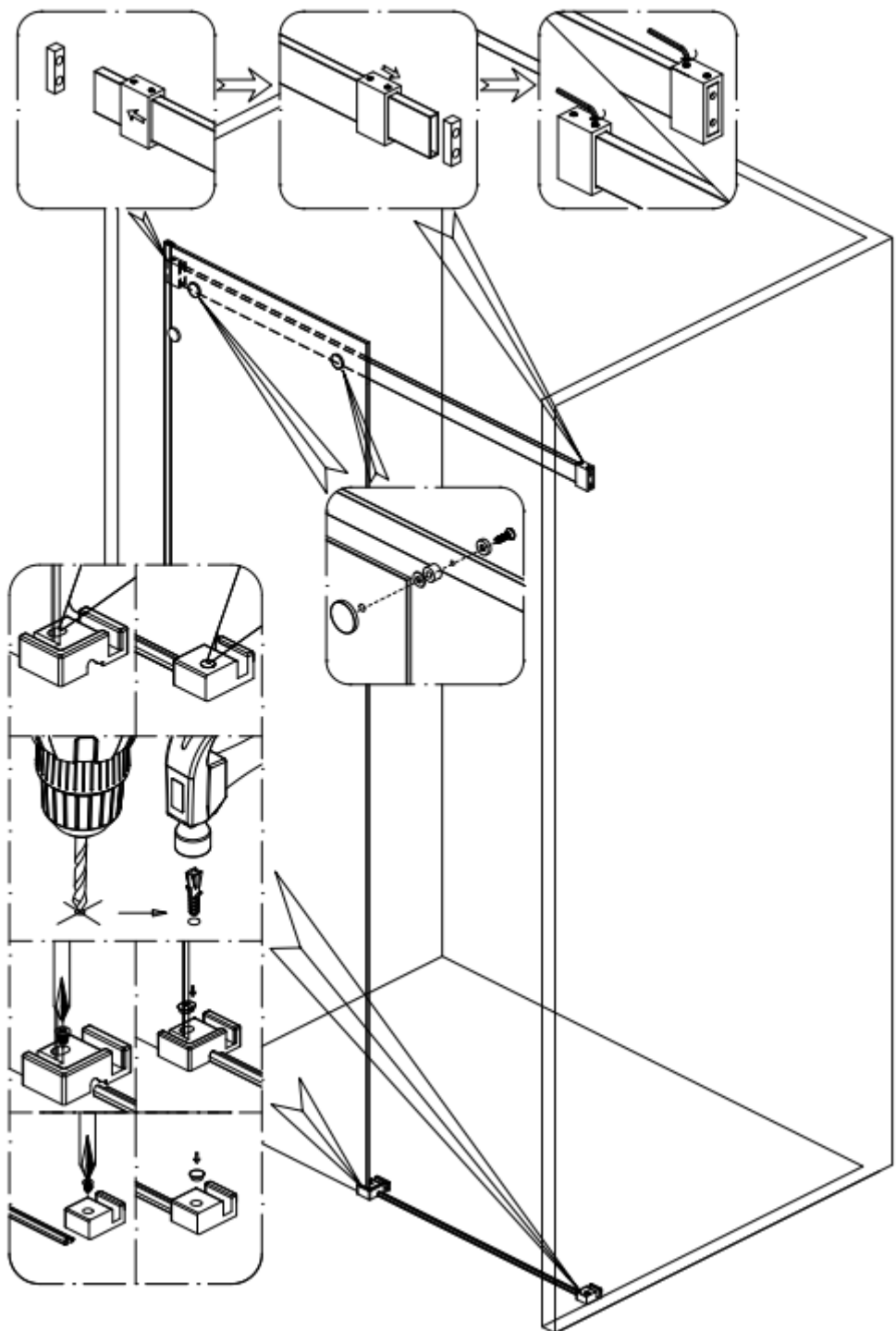
Glass side panel assembly

4. Remove the ends off the top rail. Mark where holes for the glass door brackets and top rail brackets will be drilled.



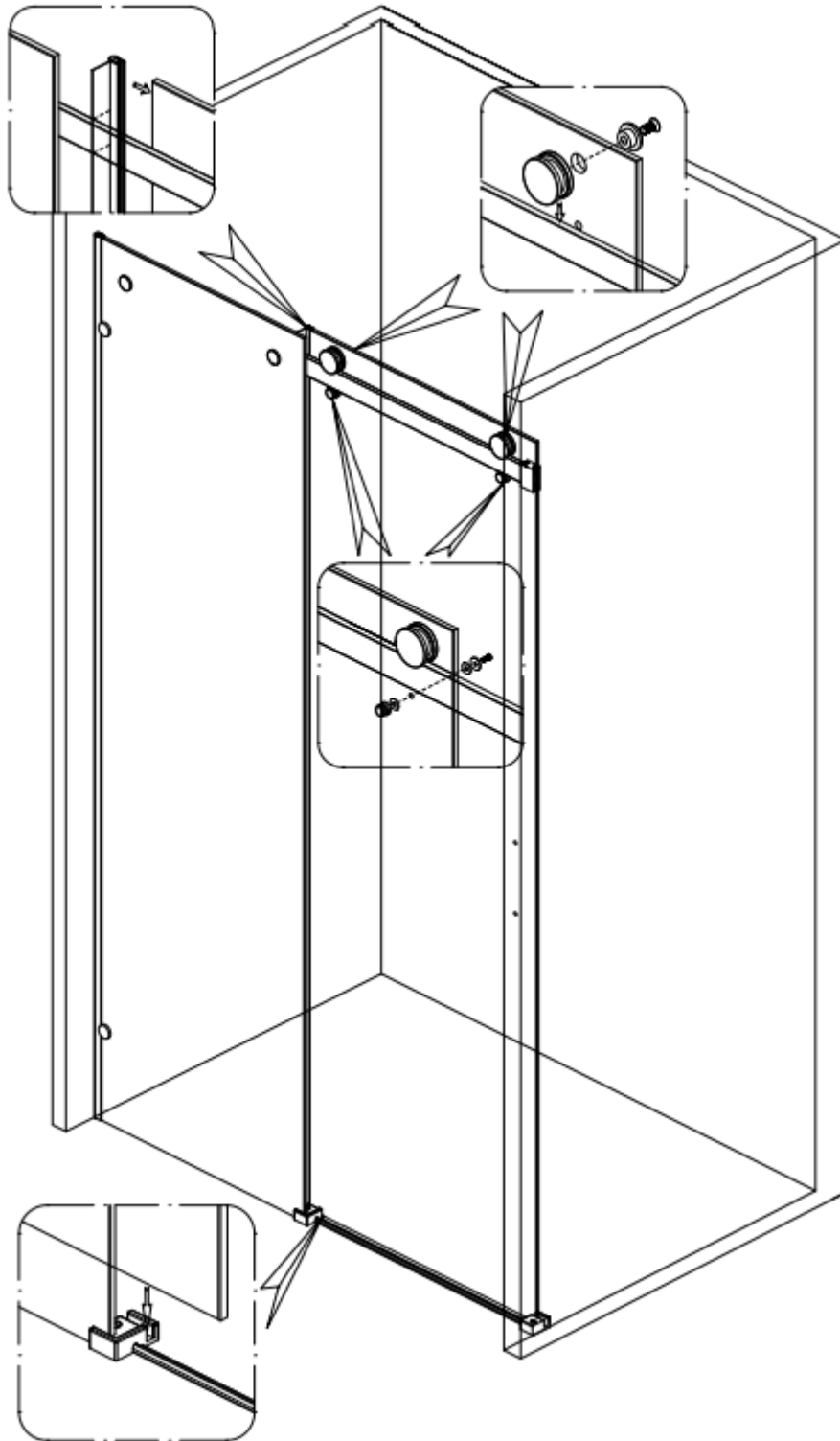


5. Drill holes and insert wall plugs.
6. Carefully lift the glass panel into place, screwing it into place on the wall.
7. Screw the top rail end brackets into place.

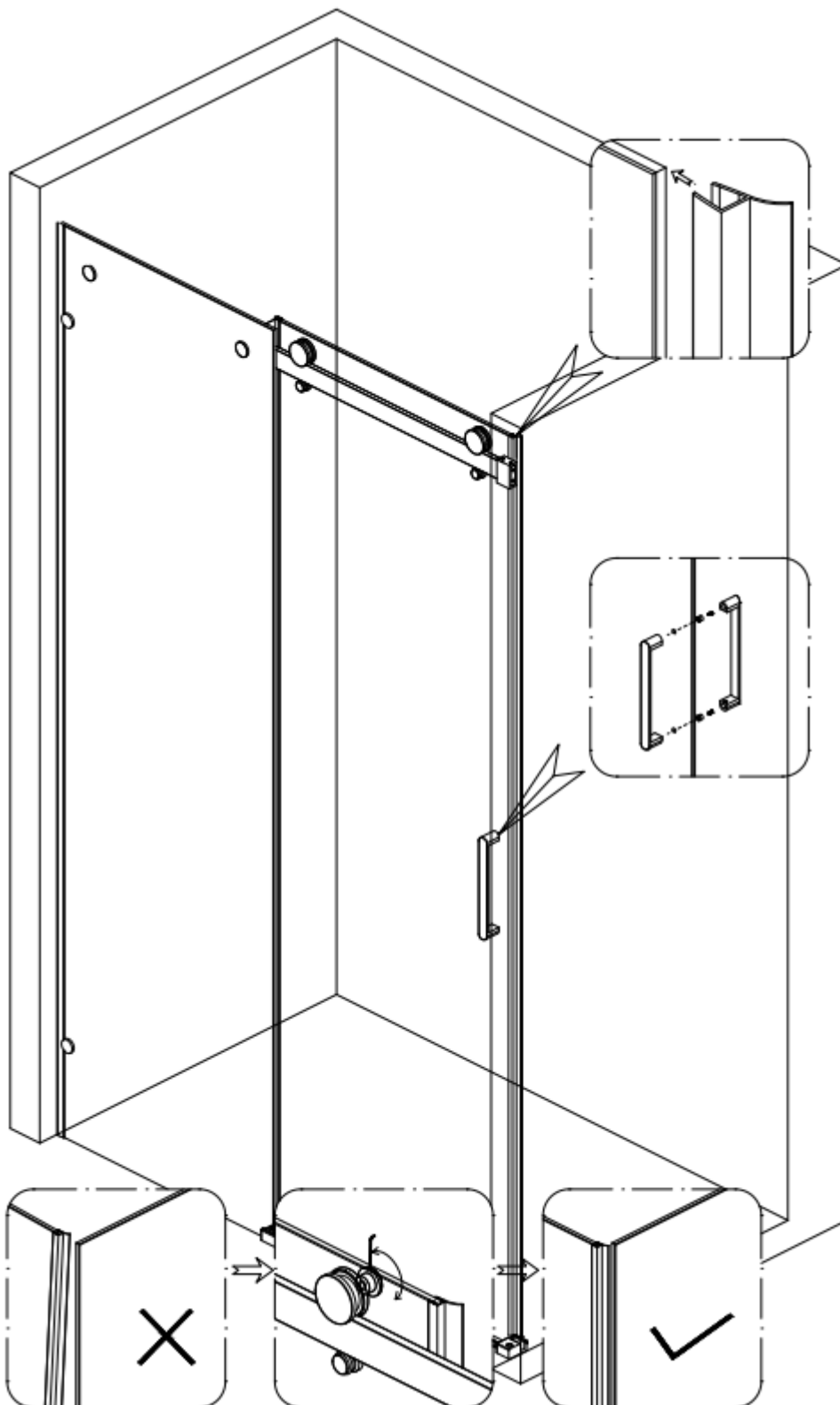


8. Attach the top rail to its end brackets, tightening it into place.
9. Screw the top rail to the glass side panel.
10. Carefully drill holes into the shower tray or floor for the glass fixing pieces, inserting plugs and screwing them into place.

Glass door panel assembly

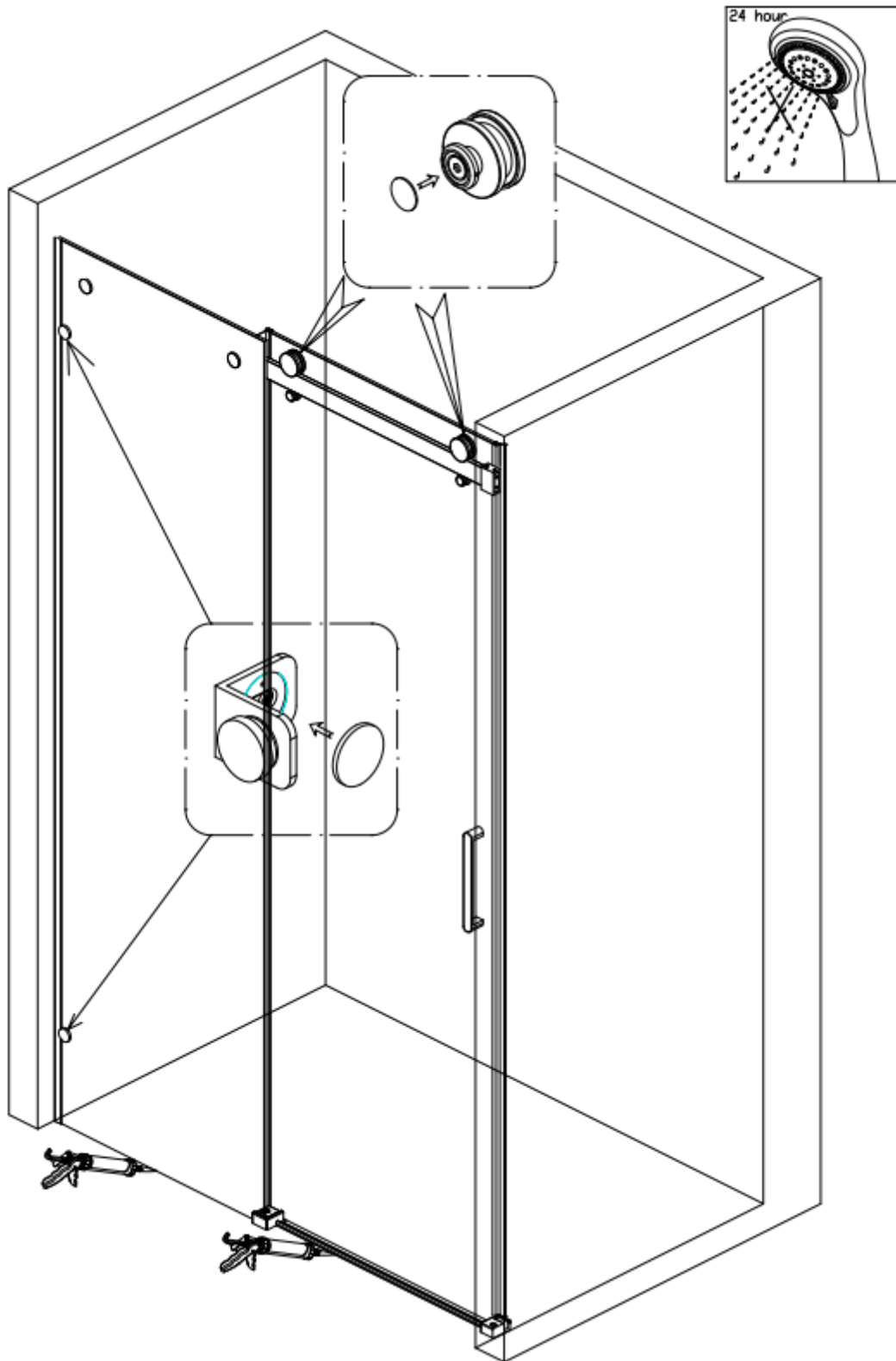


11. Slide seal onto the glass door.
12. Attach rollers to the glass door.
13. Attach bottom seal to the shower enclosure opening.



- 14. Attach seal to the glass door.
- 15. Attach handle to the glass door.

Apply silicone sealant



16. Attach caps to exposed screws.
17. Silicone around the bottom to the glass panel and bottom seal, allow to dry for 24 hours.