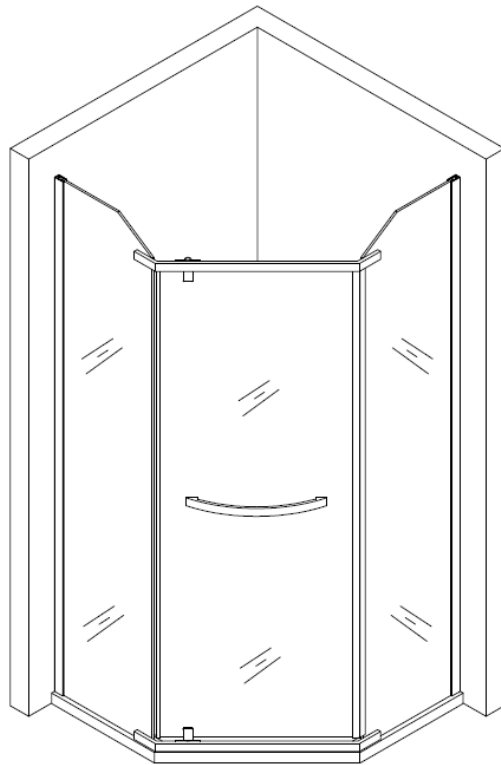




#### IMPORTANT SAFETY NOTES

- Under no circumstances should you attempt to drill through the glass, damage or injury may occur
- Please handle all glass with care, avoiding knocks and shock loading to all sides and edges. Safety glass cannot be reworked.
- Care should be taken when drilling into walls to avoid hidden pipes or electrical cables.

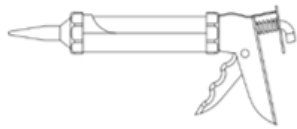


## Ravenna 8

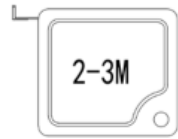


Scan this QR code for installation video.

# Tools Required



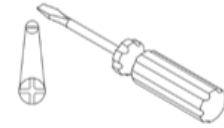
Silicone Gun



Tape Measure



Scissors



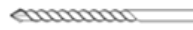
Philips Screwdriver



Hammer



Allen Keys



Drill Bit



Pencil



Power Drill



Level

Two people required. We recommend that a technically competent installer should undertake this installation.

Be sure you have all included parts and tools required before beginning installation and that you have plenty of space for assembly.

If you have ordered this shower enclosure with one of our shower trays, **please note** that tiling should be done before the shower tray is installed. This is so that the shower tray can be pushed up against the tiles and sealed with silicone.

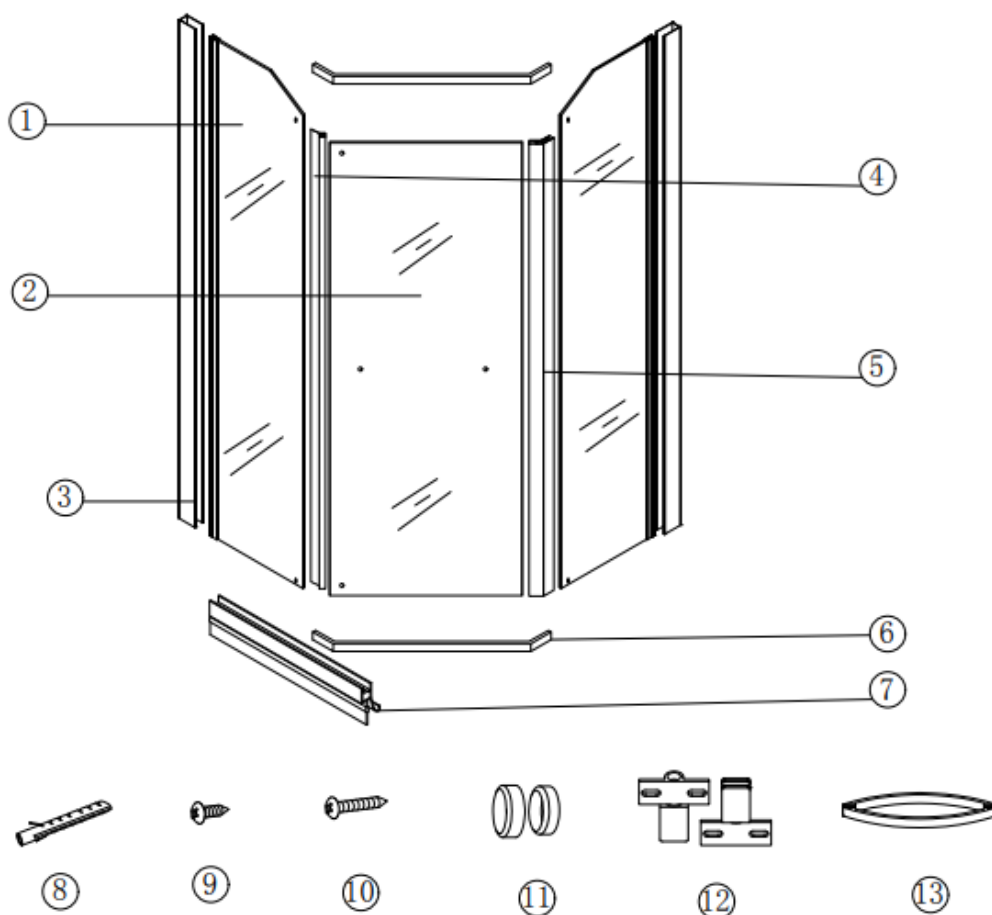
## PRE-INSTALLATION AND TECHNICAL REQUIREMENTS

- All dimensions are shown in millimetres, except where otherwise indicated.
- Ensure that the enclosure set is fitted to a level floor and vertical wall surface.
- This instruction manual is applicable for both pre-tiled wall and plain walls.
- The wall fixings included with this product are suitable for solid walls only. Plasterboard or stud walls may require specialist fixings (not supplied).
- Due to the possibility of residual spray, the area around the outside of the shower tray should be tiled, or made otherwise water resistant.

## IMPORTANT SAFETY NOTES

- Under no circumstances should you attempt to drill through the glass, damage or injury may occur
- Please handle all glass with care, avoiding knocks and shock loading to all sides and edges. Safety glass cannot be reworked.
- Care should be taken when drilling into walls to avoid hidden pipes or electrical cables.

# Included Parts

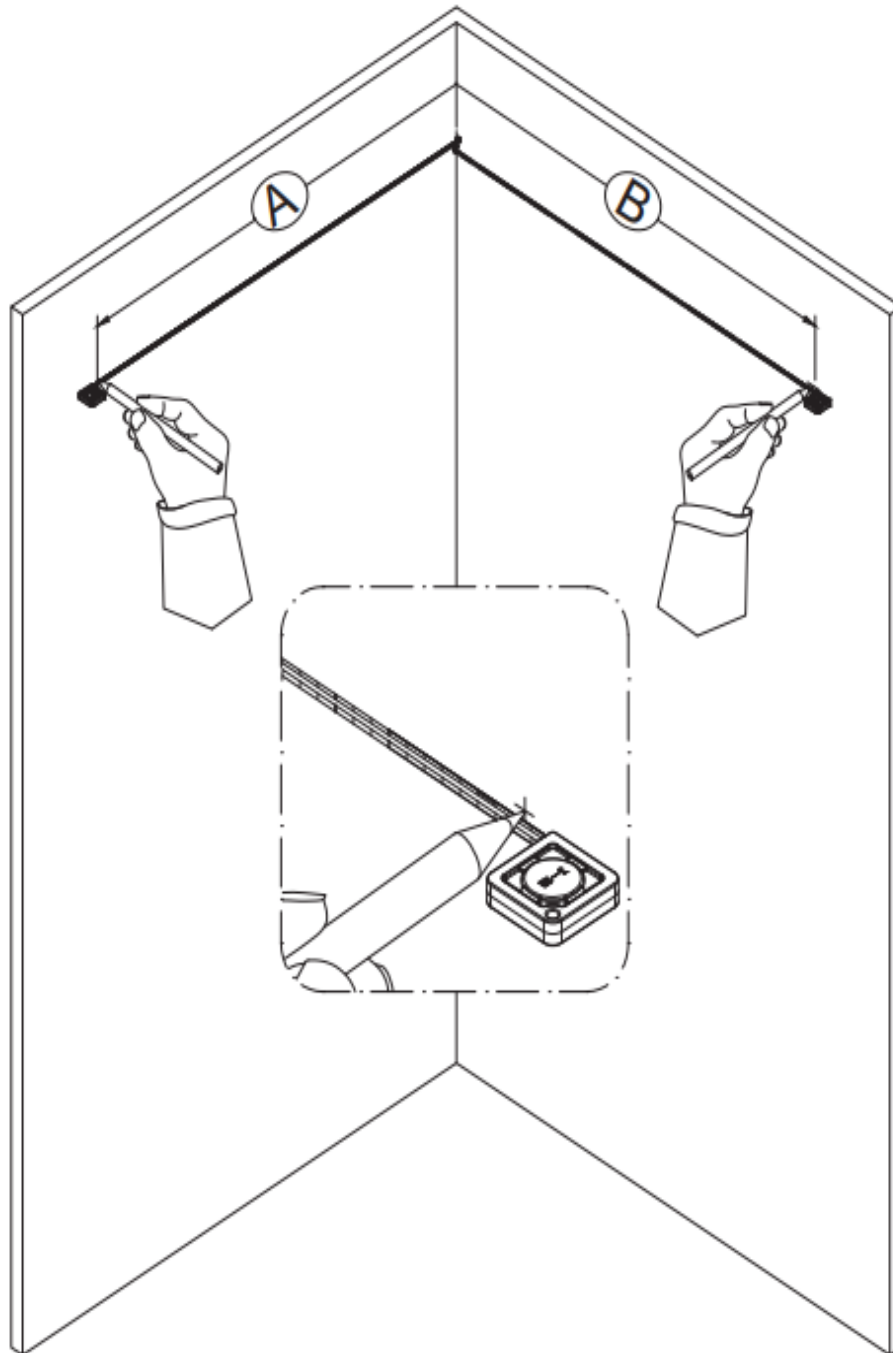


Ref	Description	Qty	Ref	Description	Qty
①	Side Panels	2	⑧	Wall Plugs	6
②	Door Panel	1	⑨	ST4*12 Screws	6
③	Aluminium Profiles	2	⑩	ST*40 Screws	6
④	Seal	1	⑪	Screw decorative caps	6
⑤	Magnetic stipe	1	⑫	Hinges	1
⑥	Supporting Bars	2	⑬	Handle	1
⑦	Lower retaining seal	1			

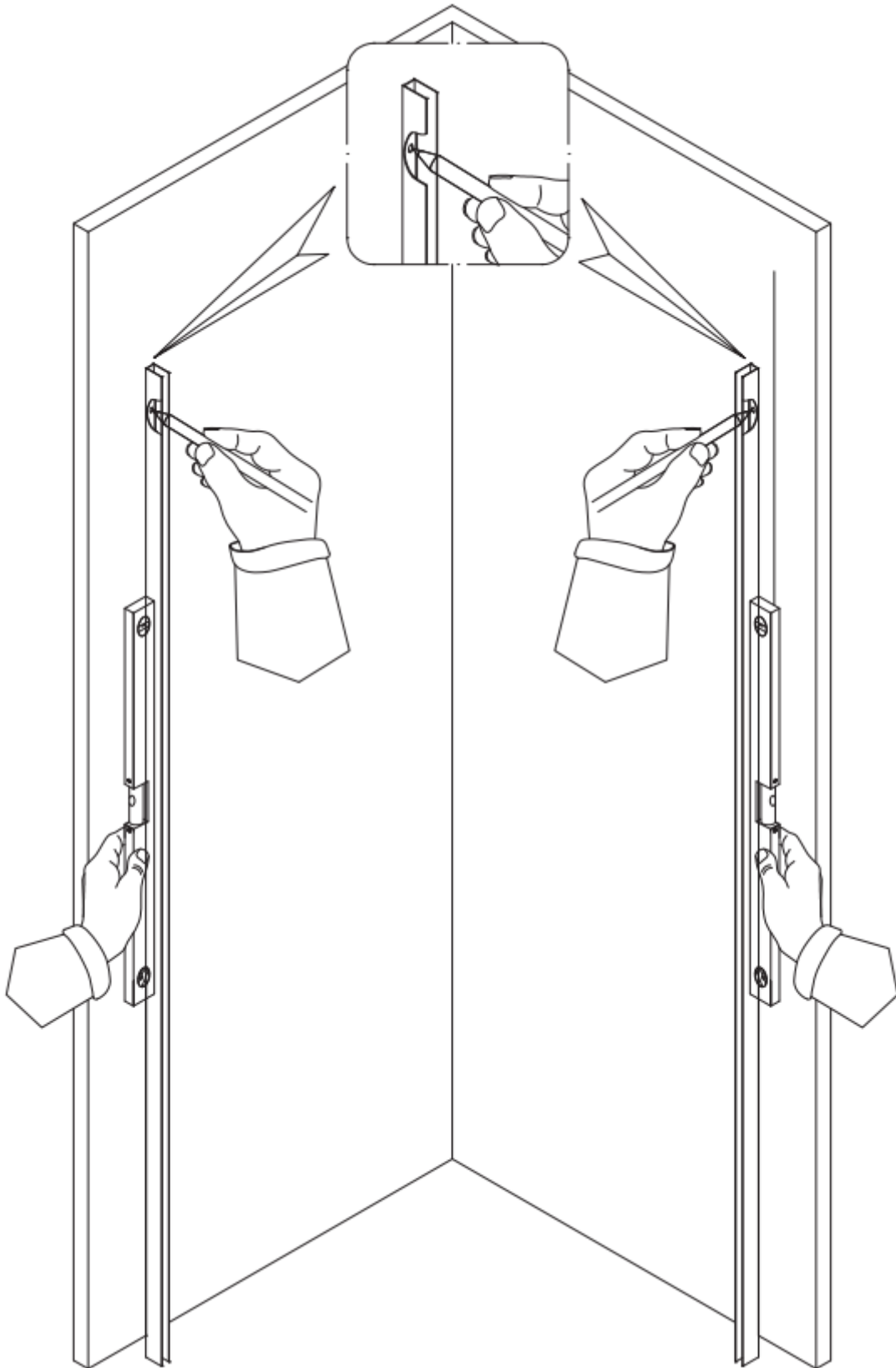


E11 Accessory Box

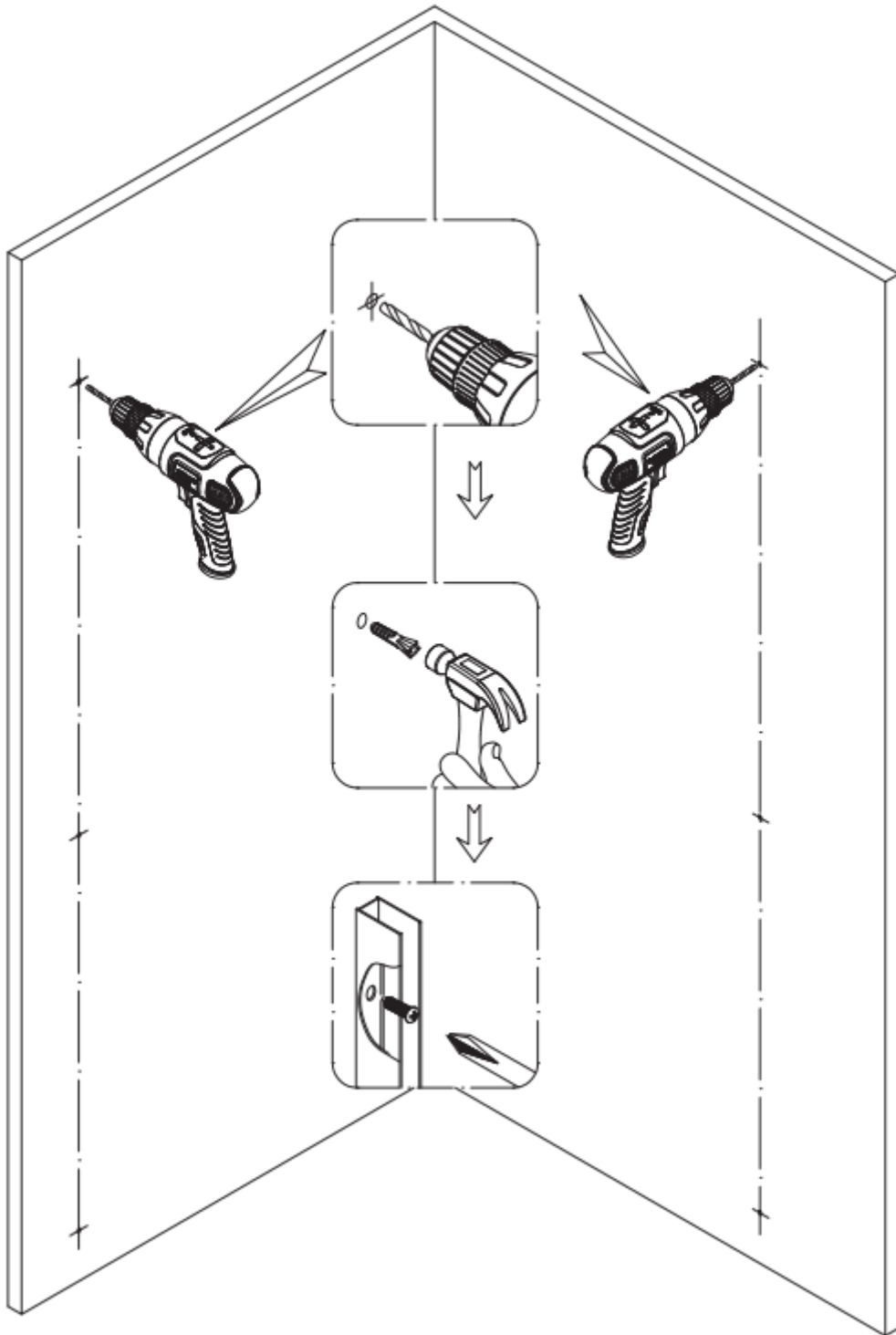
# Aluminium Profile assembly



1. Measure the length of the side panels against the wall.

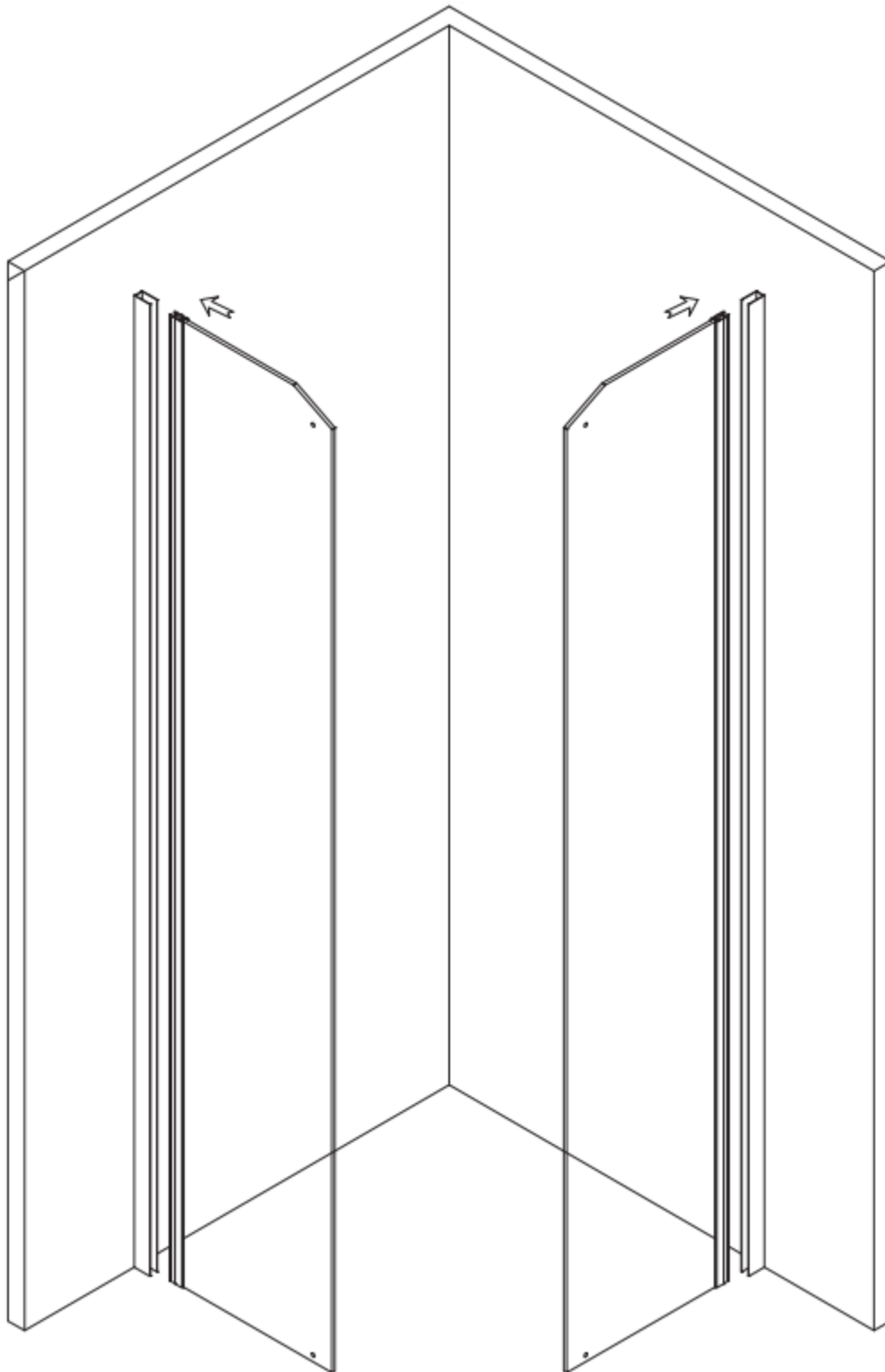


2. Mark where holes for the aluminium profiles will be drilled.



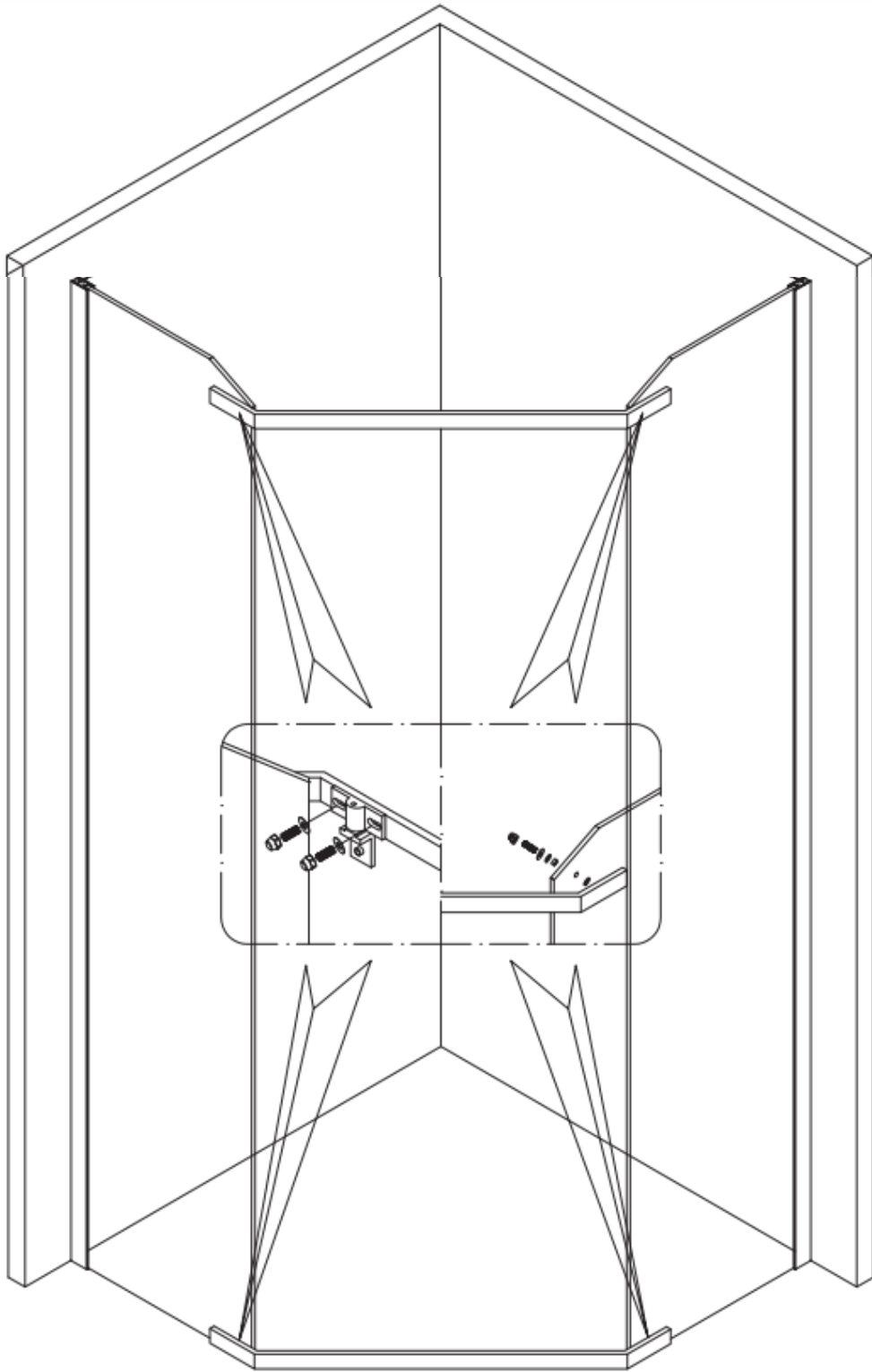
3. Drill holes and insert wall plugs.
4. Screw the aluminium profiles onto the wall.

## Glass side panel assembly



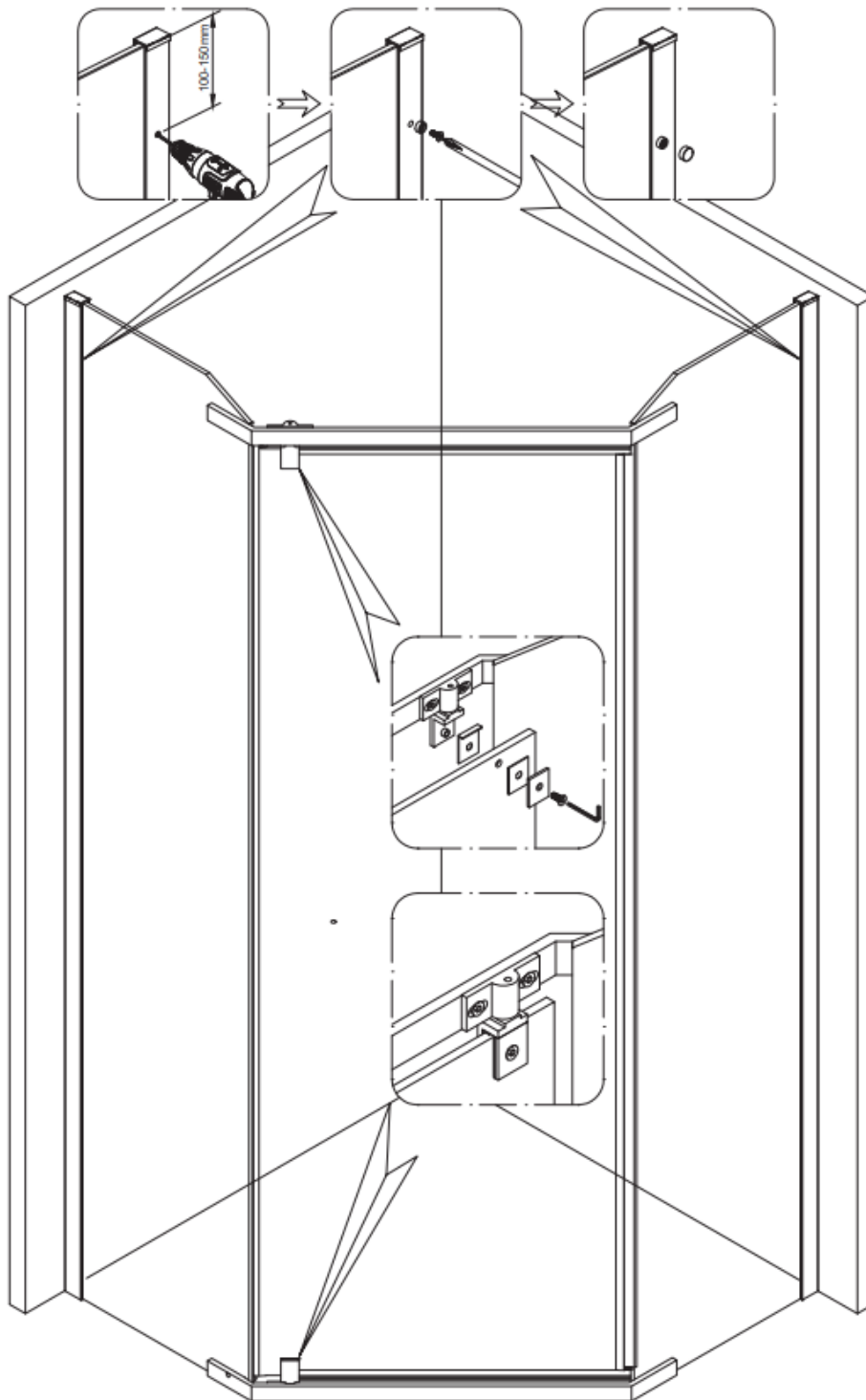
5. Carefully lift the glass side panels into place, sliding them into the aluminium profiles.



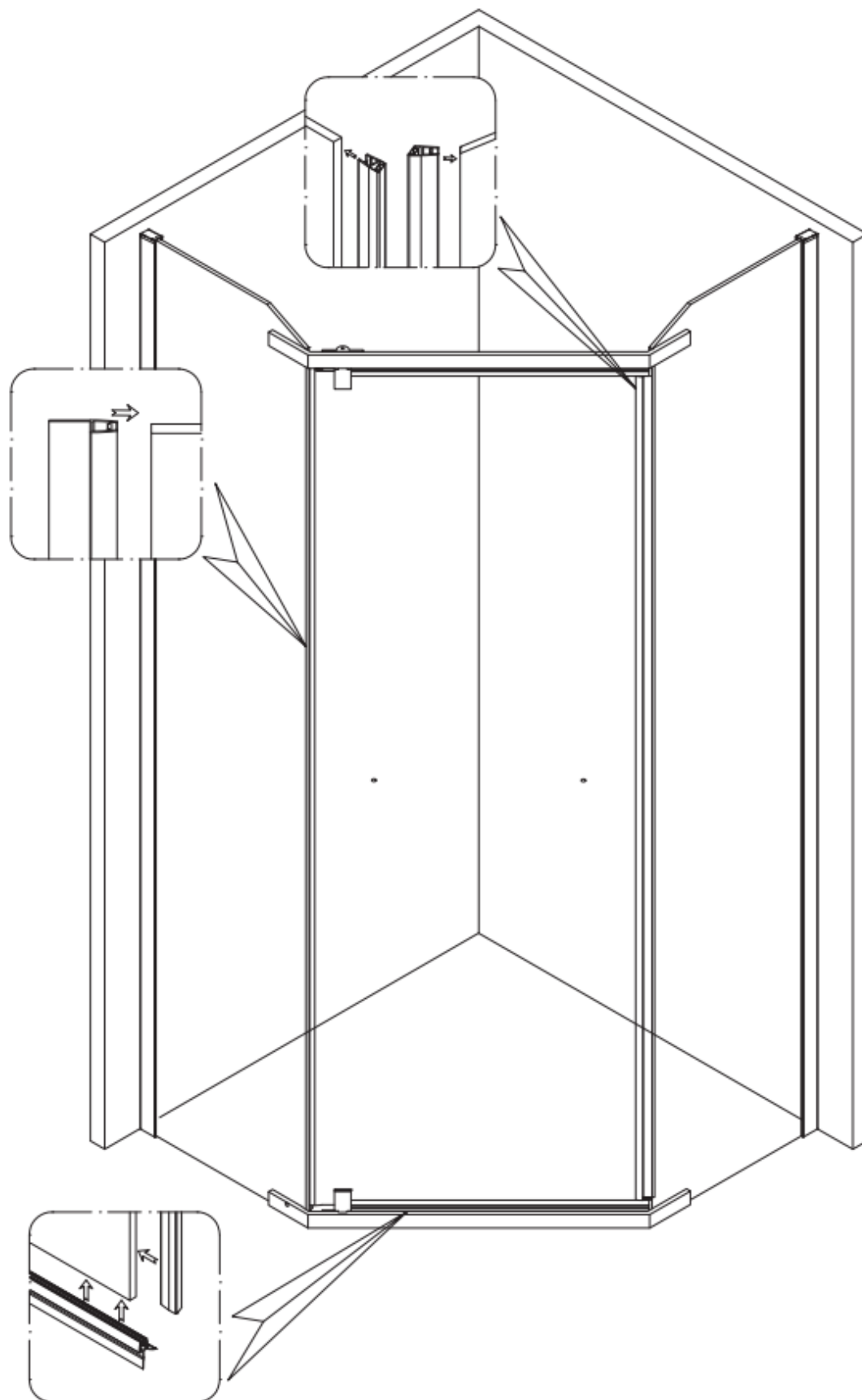


6. Attach the top and bottom supporting brackets.

## Glass side door assembly

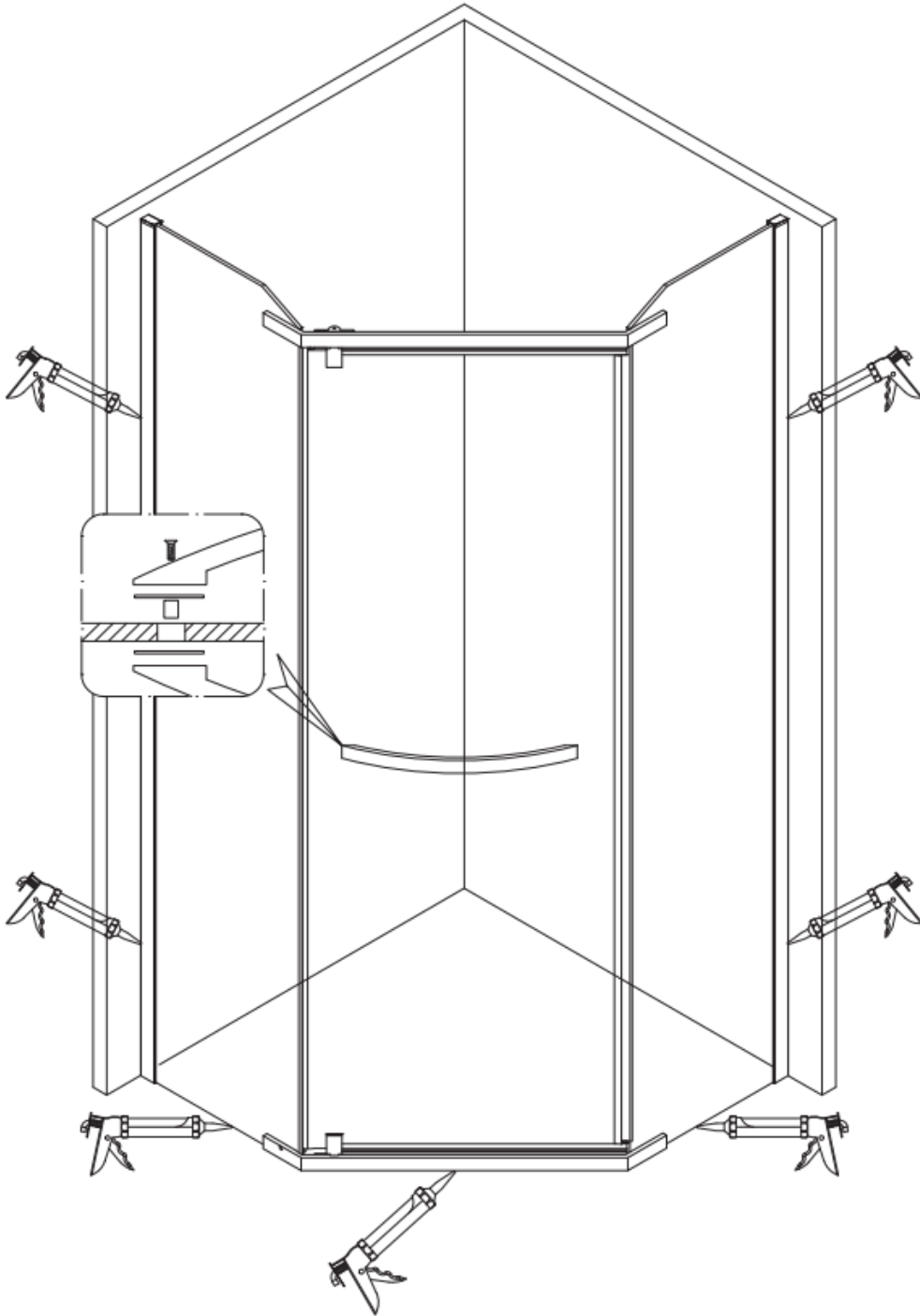


7. Drill pilot holes into the aluminium profile, using self-tapping screws to screw into the glass side panel profiles.
8. Carefully lift the glass door into place, attaching its hinges to the top and bottom rails.



9. Slide seals onto the left, right and bottom of the glass door.

## Apply silicone sealant



10. Attach the handle to the glass door.
11. Silicone and allow to dry for 24 hours.