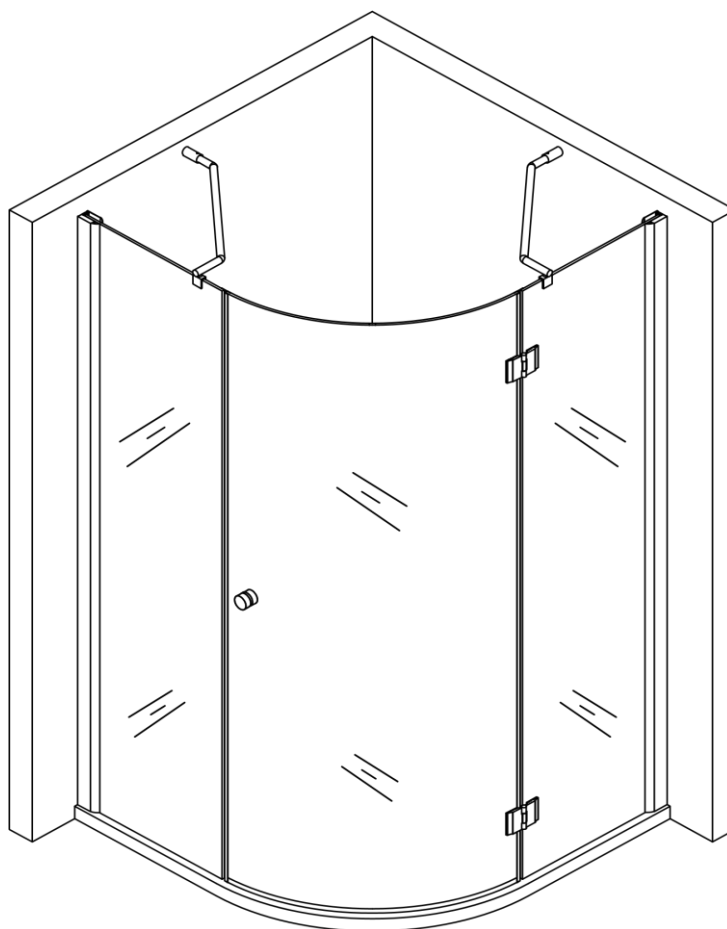




#### IMPORTANT SAFETY NOTES

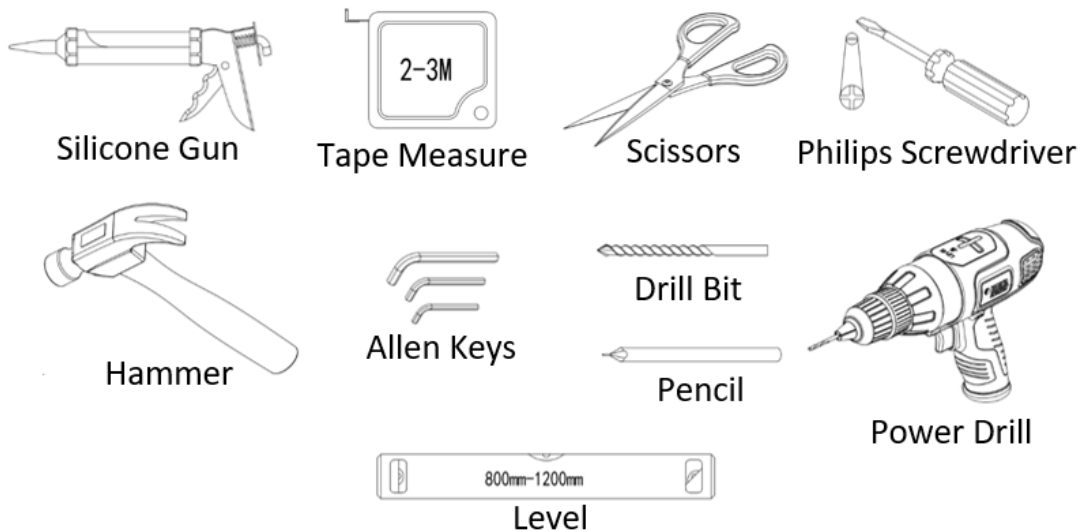
- Under no circumstances should you attempt to drill through the glass, damage or injury may occur
- Please handle all glass with care, avoiding knocks and shock loading to all sides and edges. Safety glass cannot be reworked.
- Care should be taken when drilling into walls to avoid hidden pipes or electrical cables.



**MMD06**

**Ravenna 6 Quadrant**

# Tools Required



Two people required. We recommend that a technically competent installer should undertake this installation.

Be sure you have all included parts and tools required before beginning installation and that you have plenty of space for assembly.

If you have ordered this shower enclosure with one of our shower trays, **please note** that tiling should be done before the shower tray is installed. This is so that the shower tray can be pushed up against the tiles and sealed with silicone.

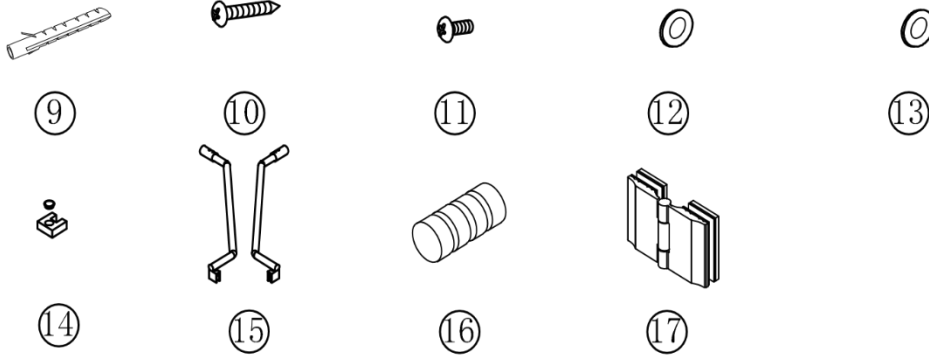
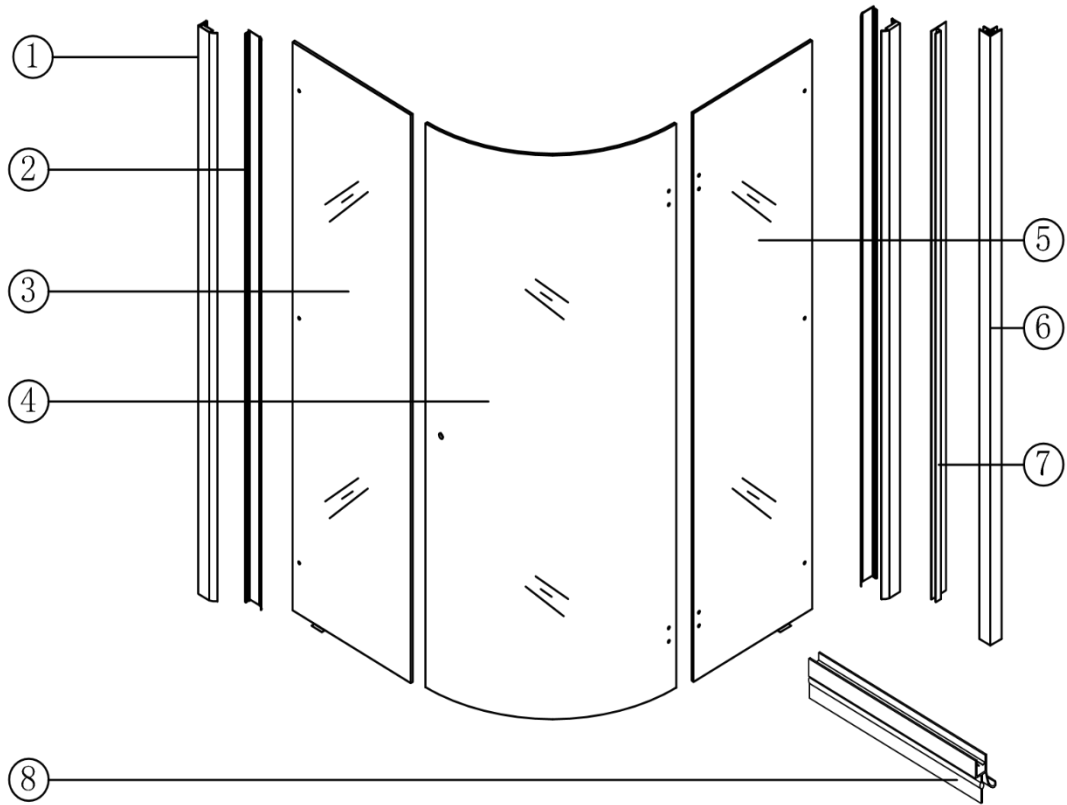
## PRE-INSTALLATION AND TECHNICAL REQUIREMENTS

- All dimensions are shown in millimetres, except where otherwise indicated.
- Ensure that the enclosure set is fitted to a level floor and vertical wall surface.
- This instruction manual is applicable for both pre-tiled wall and plain walls.
- The wall fixings included with this product are suitable for solid walls only. Plasterboard or stud walls may require specialist fixings (not supplied).
- Due to the possibility of residual spray, the area around the outside of the shower tray should be tiled, or made otherwise water resistant.

## IMPORTANT SAFETY NOTES

- Under no circumstances should you attempt to drill through the glass, damage or injury may occur
- Please handle all glass with care, avoiding knocks and shock loading to all sides and edges. Safety glass cannot be reworked.
- Care should be taken when drilling into walls to avoid hidden pipes or electrical cables.

# Included Parts



INSTALLATION ACCESSORIES LIST

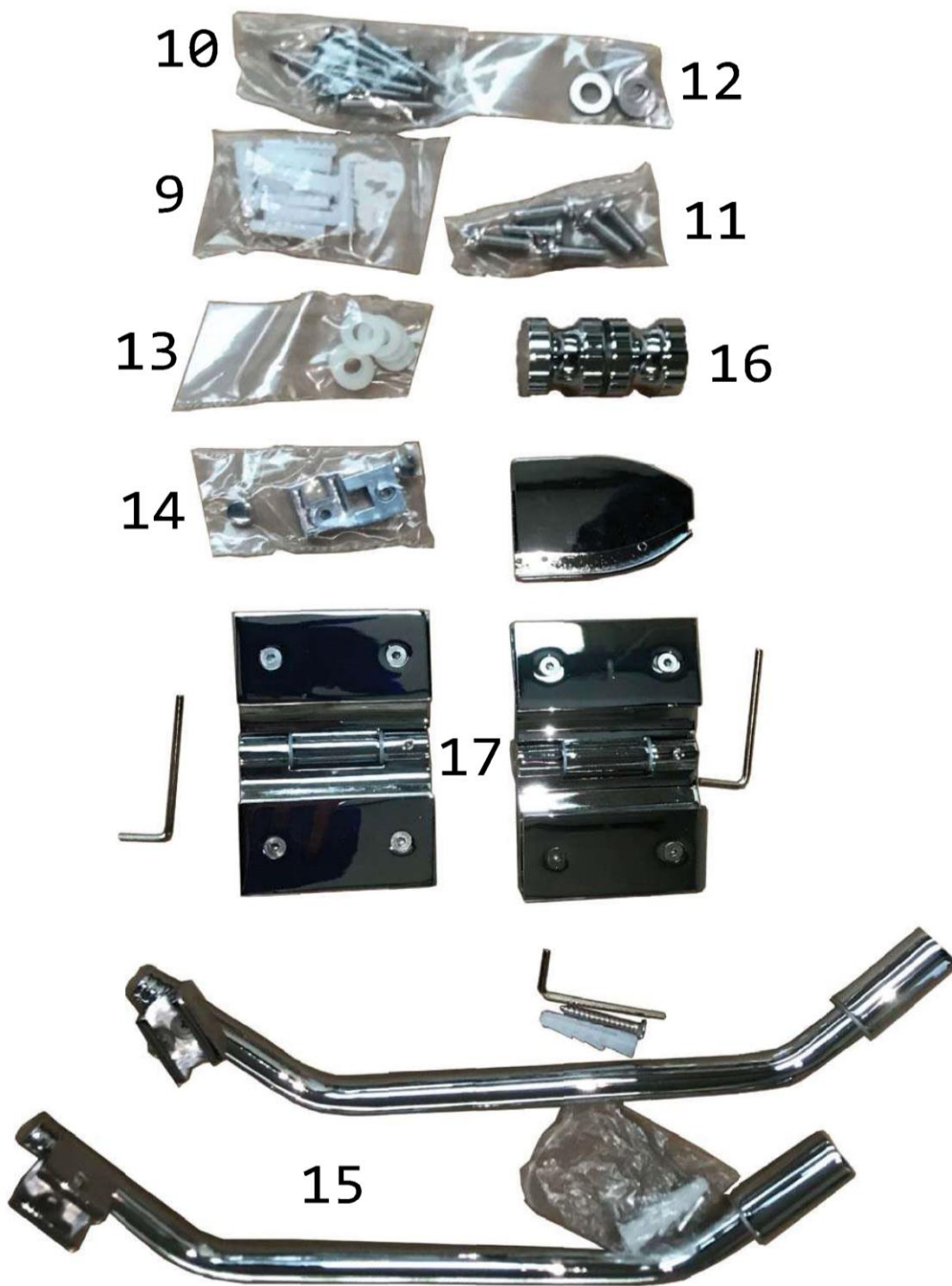
NO.	NAME	QTY	UNIT	NO.	NAME	QTY	UNIT	NO.	NAME	QTY	UNIT
①	Wall facing aluminum	2	PCS	⑦	Side water retaining strip	1	PC	⑬	pourable resin chock	6	PCS
②	Decorative aluminum	2	PCS	⑧	Lower door bar	1	PC	⑭	Glass fixing piece	2	PCS
③	Left fixed glass	1	PC	⑨	Plastic expansion pipe	8	PCS	⑮	stand bar	2	PC
④	Moving glass	1	PC	⑩	ST4*40	8	PCS	⑯	catch	1	PC
⑤	Right fixed glass	1	PC	⑪	M6*20	6	PCS	⑰	hinge	2	PCS
⑥	magnetic stripe	1	PC	⑫	stainless steel pads	6	PCS				



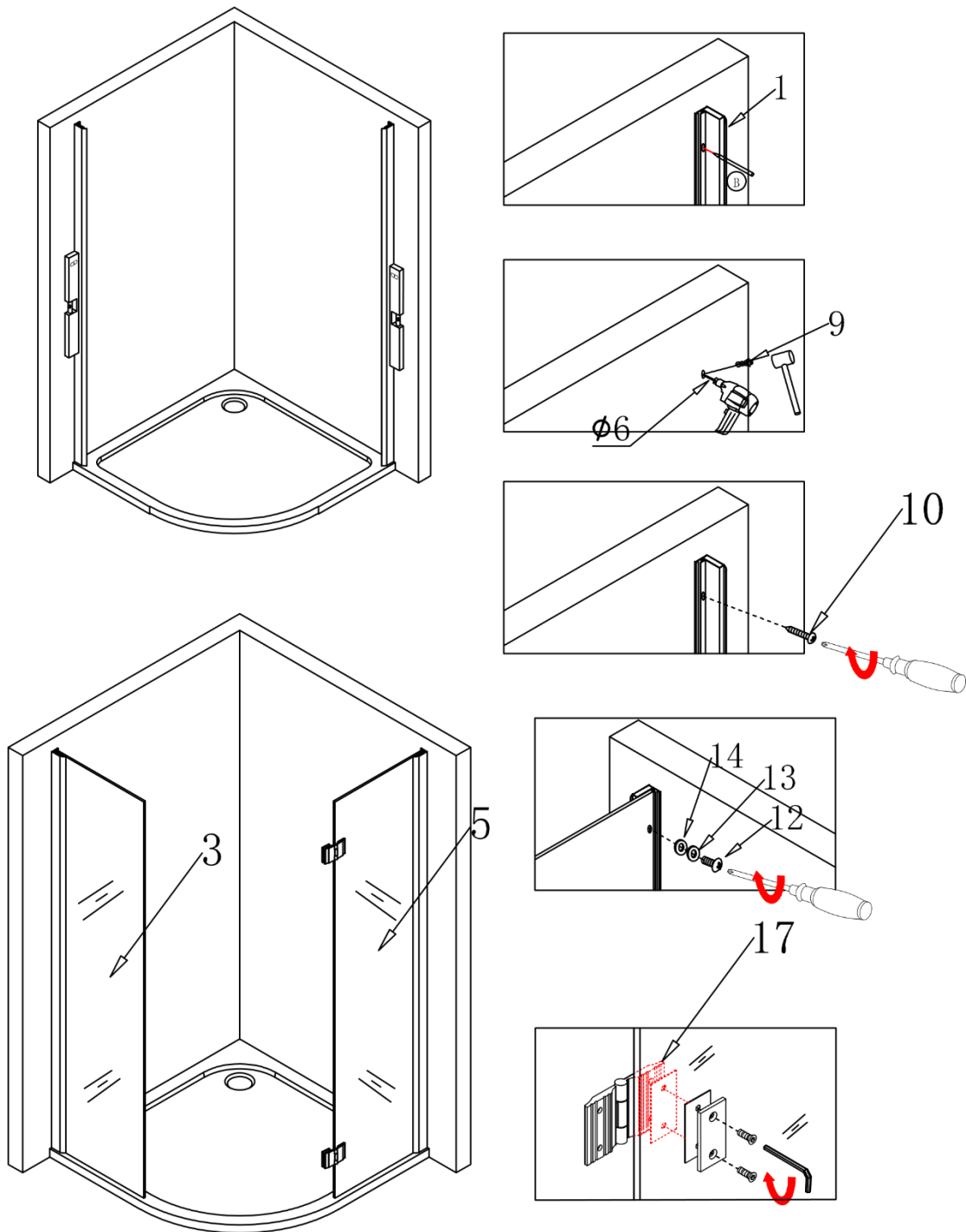
E41 Accessory Box



G06 Accessory Box

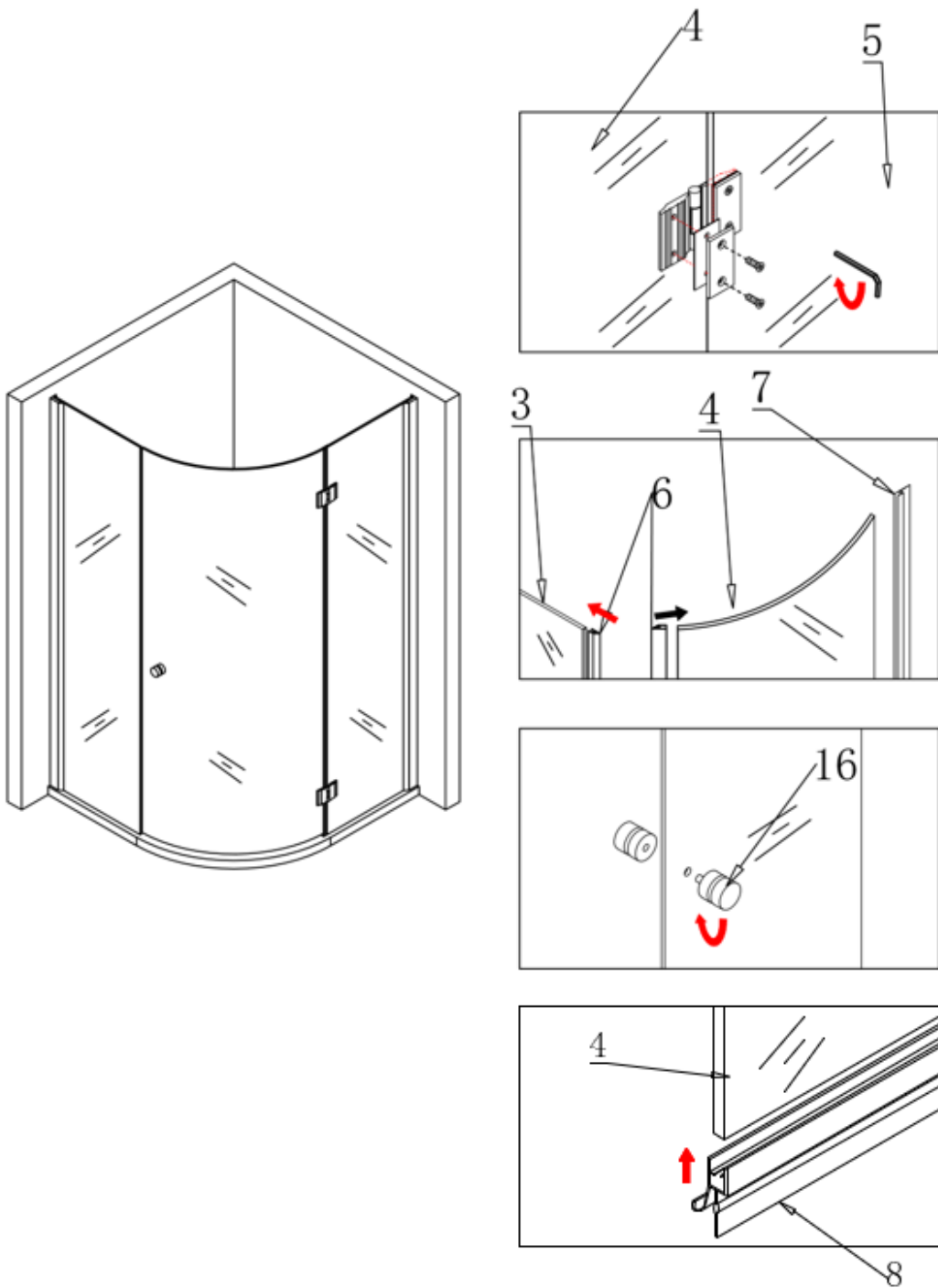


G02 Accessory Box

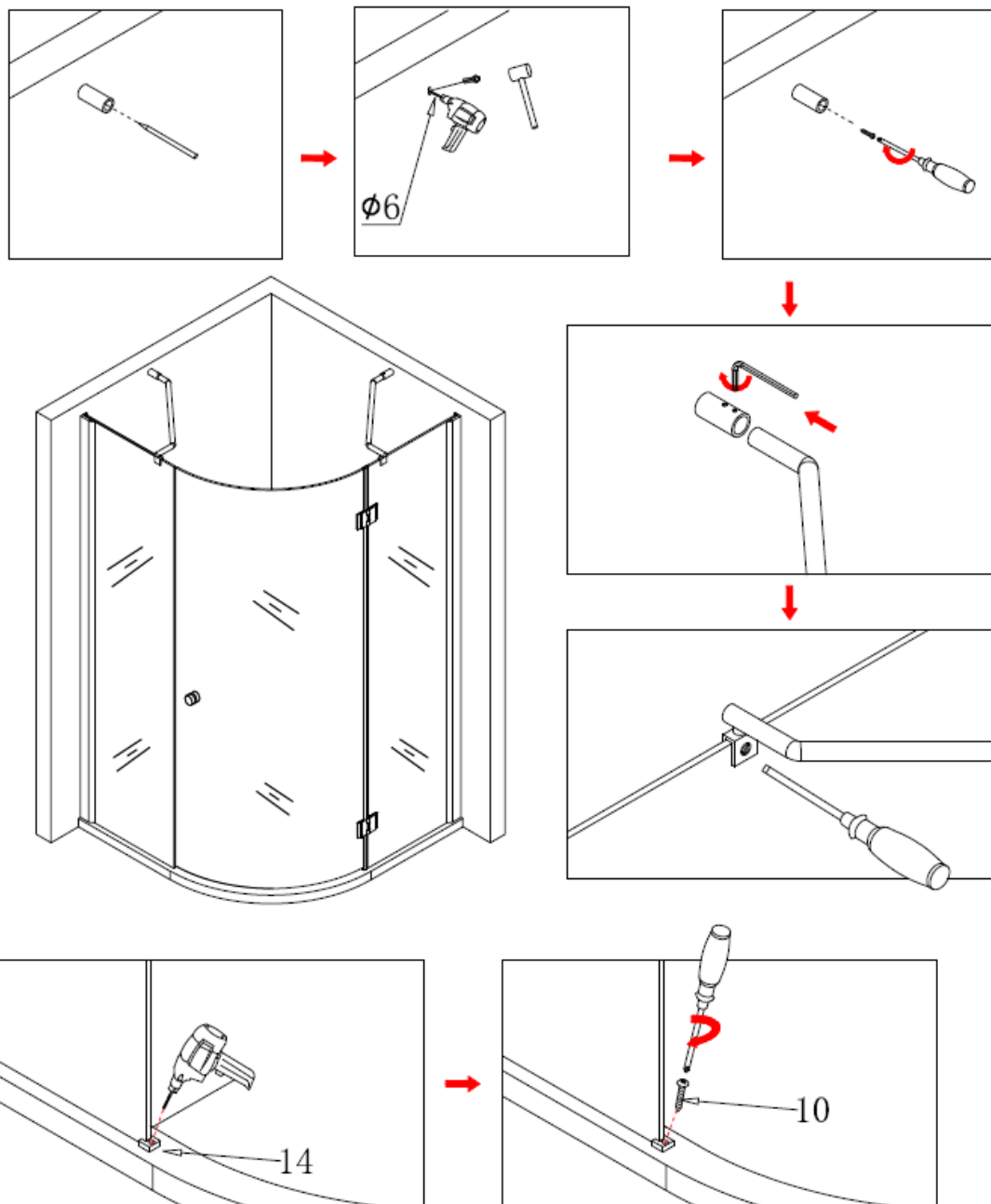


Place the aluminium profiles against the walls, marking where holes will be drilled.

1. Drill the holes and insert wall plugs.
2. Screw the aluminium profile onto the wall.
3. Carefully lift the glass side panels into place, screwing them onto the aluminium profile.
4. Attach the hinges to the glass side panel.

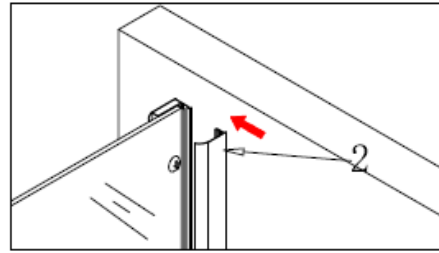
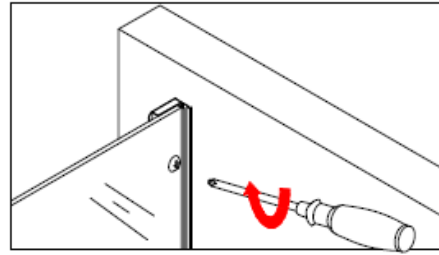
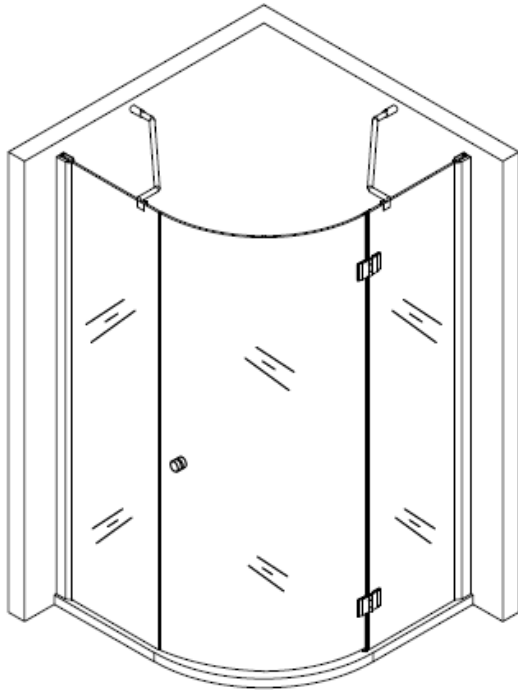


5. Carefully lift the glass door into place, attaching it to the hinges.
6. Slide seals onto the glass side panels and glass door.
7. Slide the magnetic strip onto the glass door.
8. Slide the bottom seal onto the glass door.



9. Mark where the holes for the supporting brackets will be drilled.
10. Drill holes and insert wall plugs.
11. Screw the supporting brackets into place.
12. Mark and drill holes for the glass fixing pieces, screwing them into place.





13. Tighten the glass panels onto the aluminium bar.
14. Attach the decorative strips of the over screws.