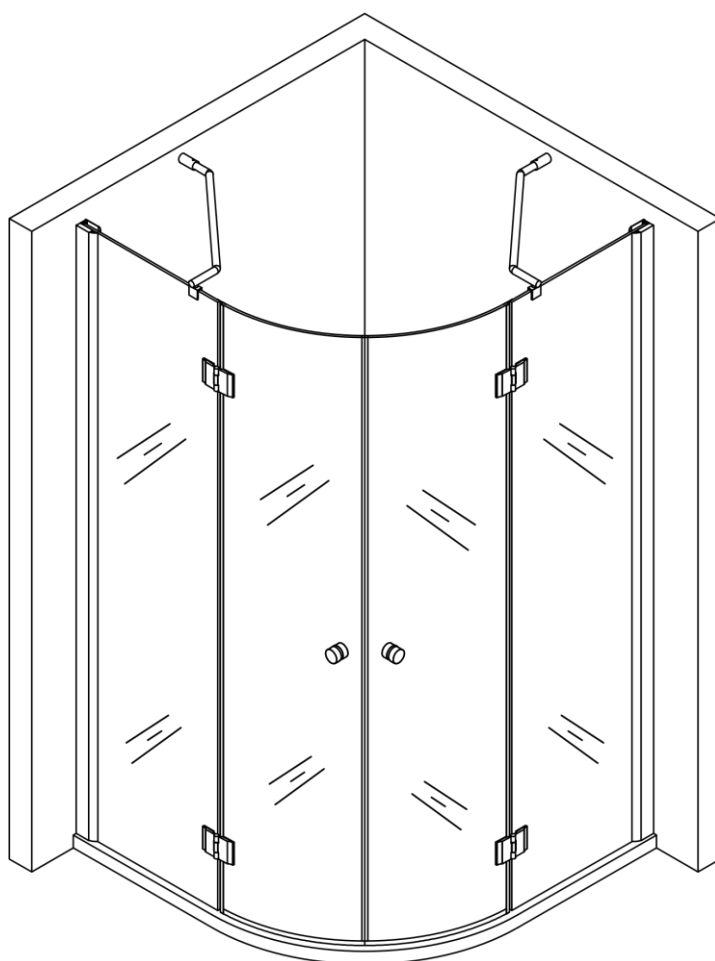




DUROVIN
BATHROOMS

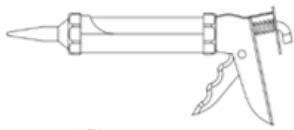
IMPORTANT SAFETY NOTES

- Under no circumstances should you attempt to drill through the glass, damage or injury may occur
- Please handle all glass with care, avoiding knocks and shock loading to all sides and edges. Safety glass cannot be reworked.
- Care should be taken when drilling into walls to avoid hidden pipes or electrical cables.

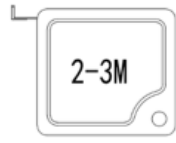


Ravenna 2

Tools Required



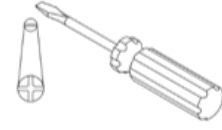
Silicone Gun



Tape Measure



Scissors



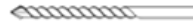
Philips Screwdriver



Hammer



Allen Keys



Drill Bit



Pencil



Power Drill



Level

Two people required. We recommend that a technically competent installer should undertake this installation.

Be sure you have all included parts and tools required before beginning installation and that you have plenty of space for assembly.

If you have ordered this shower enclosure with one of our shower trays, **please note** that tiling should be done before the shower tray is installed. This is so that the shower tray can be pushed up against the tiles and sealed with silicone.

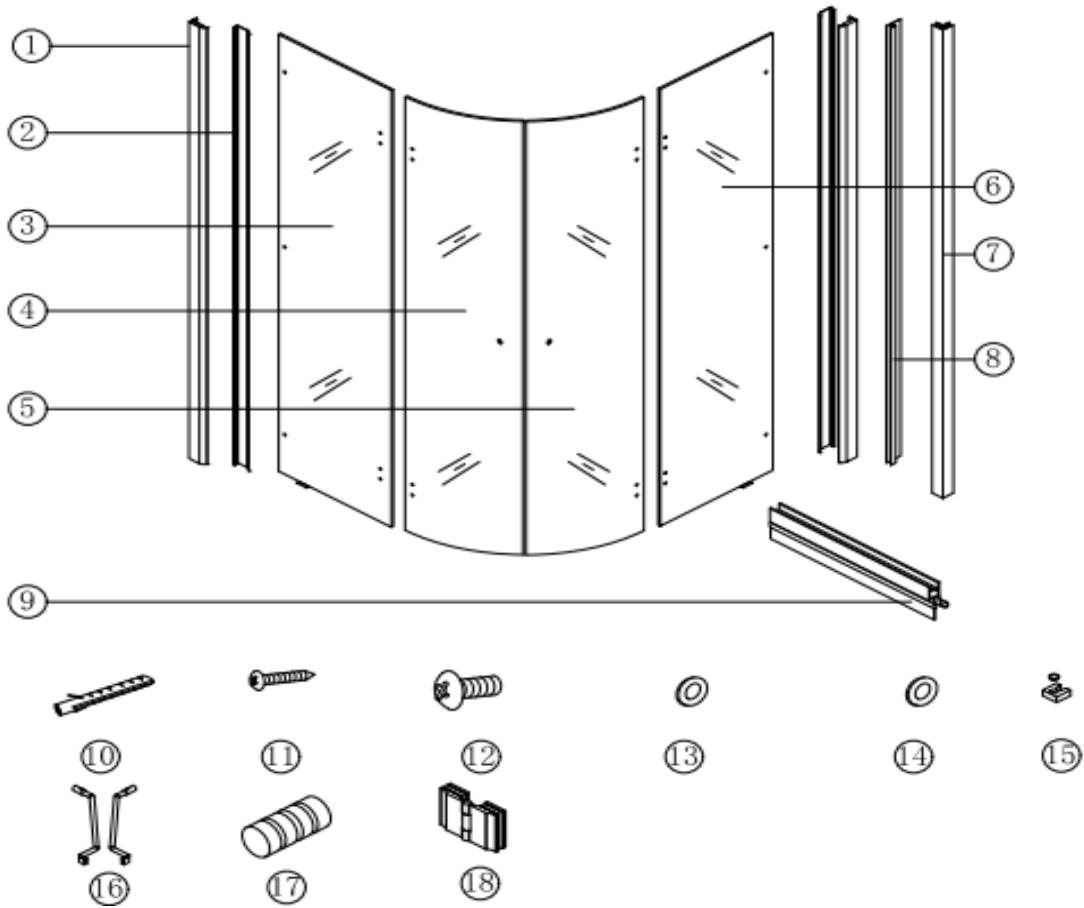
PRE-INSTALLATION AND TECHNICAL REQUIREMENTS

- All dimensions are shown in millimetres, except where otherwise indicated.
- Ensure that the enclosure set is fitted to a level floor and vertical wall surface.
- This instruction manual is applicable for both pre-tiled wall and plain walls.
- The wall fixings included with this product are suitable for solid walls only. Plasterboard or stud walls may require specialist fixings (not supplied).
- Due to the possibility of residual spray, the area around the outside of the shower tray should be tiled, or made otherwise water resistant.

IMPORTANT SAFETY NOTES

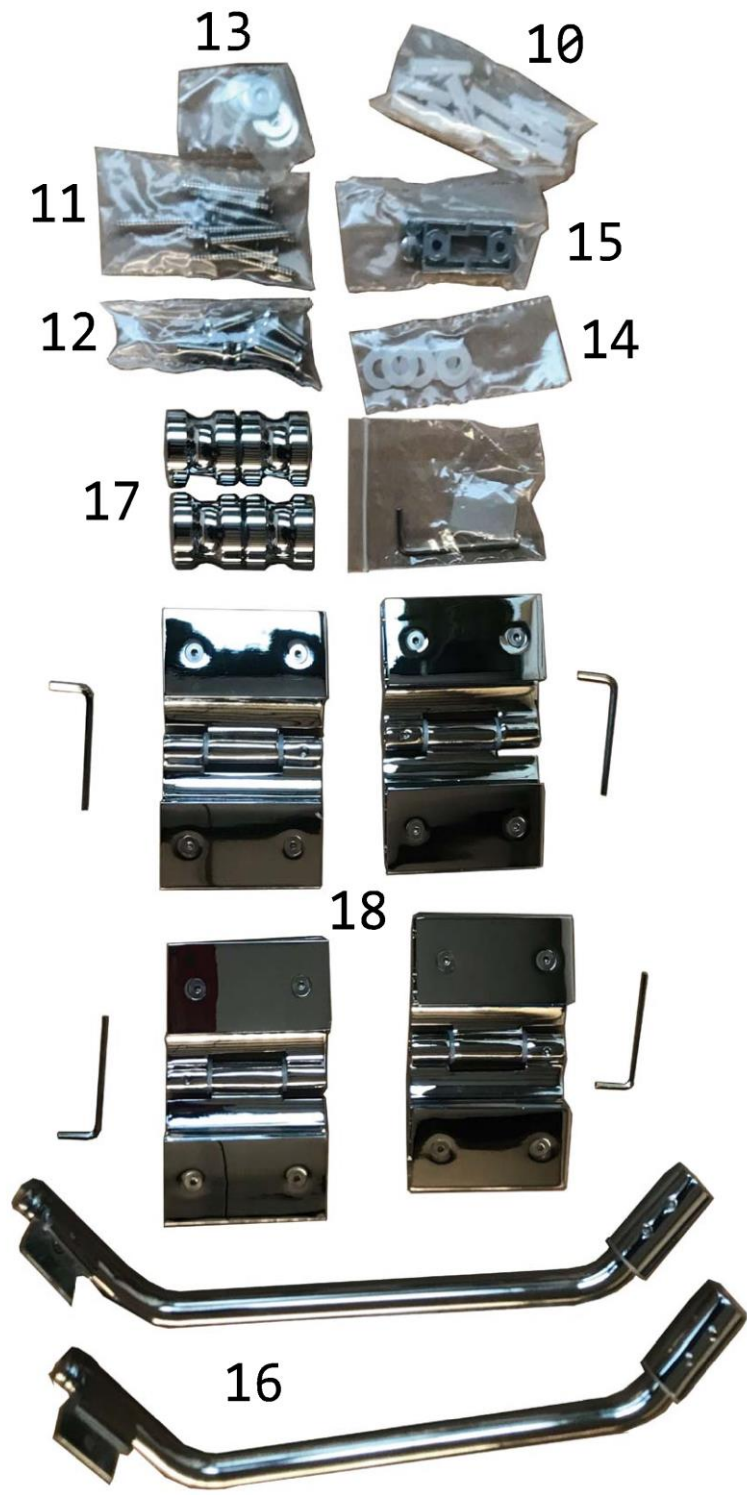
- Under no circumstances should you attempt to drill through the glass, damage or injury may occur
- Please handle all glass with care, avoiding knocks and shock loading to all sides and edges. Safety glass cannot be reworked.
- Care should be taken when drilling into walls to avoid hidden pipes or electrical cables.

Included Parts



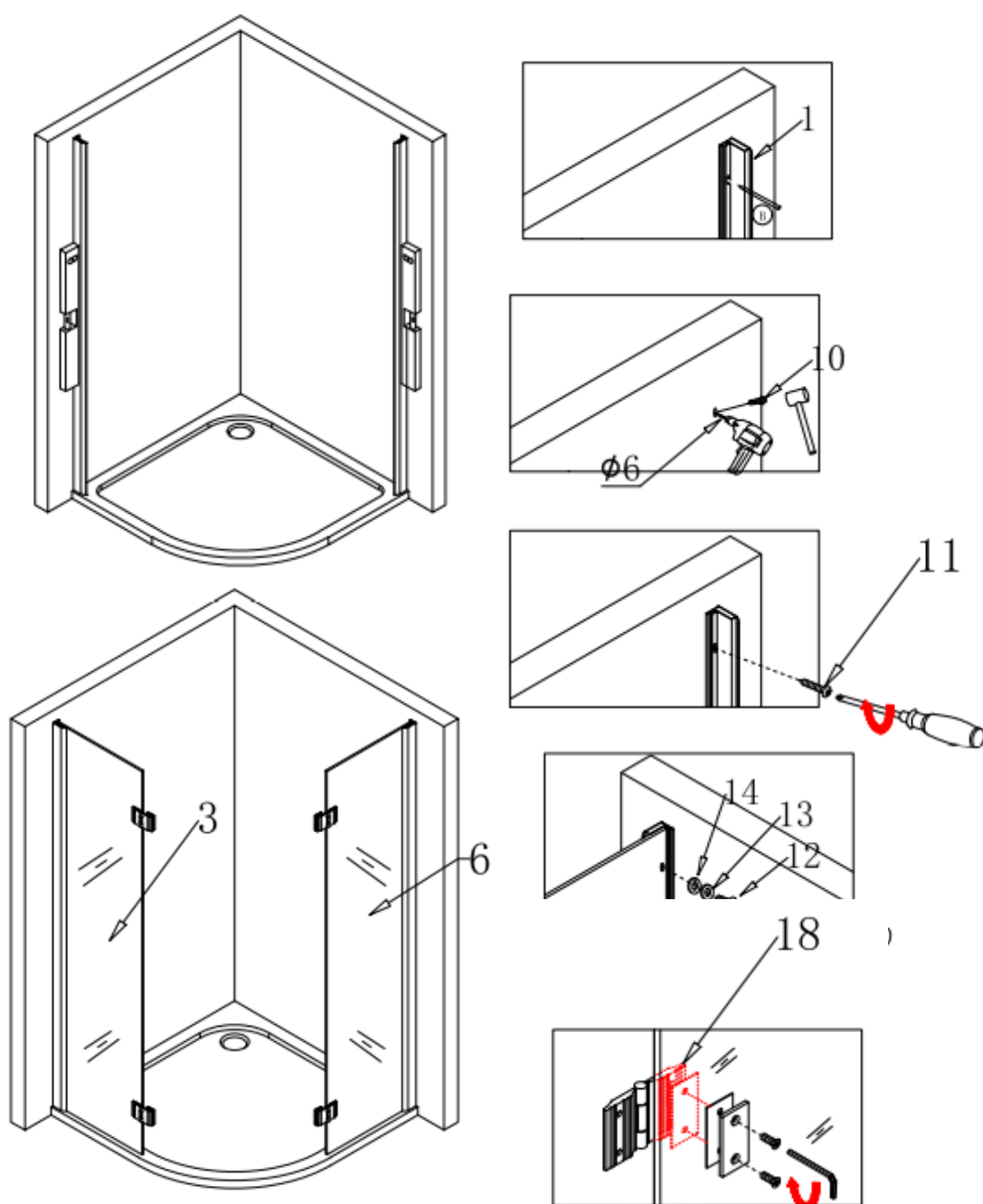
Ref	Description	Qty	Ref	Description	Qty	Ref	Description	Qty
①	Wall facing aluminium	2	⑦	Magnetic stripe	2	⑬	Stainless steel pads	6
②	Decorative aluminium	2	⑧	Side water retaining strip	2	⑭	Pourable resin chock	6
③	Left fixed glass	1	⑨	Water under the door	2	⑮	Glass fixing piece	2
④	Left moving glass	1	⑩	Plastic expansion pipe	8	⑯	Stainless steel strut	2
⑤	Right fixed glass	1	⑪	ST4*40	8	⑰	Catch	1
⑥	Right fixed glass	1	⑫	M6*20	6	⑱	Hinge	4





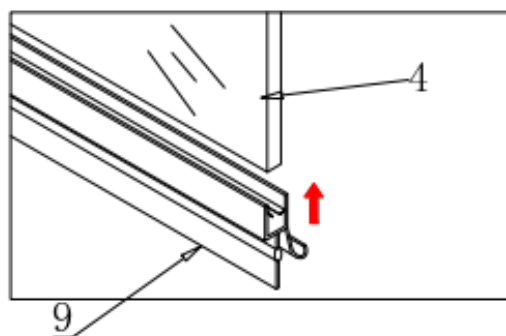
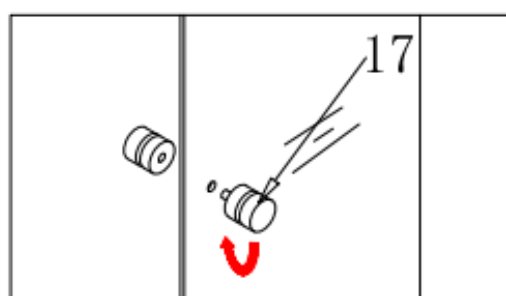
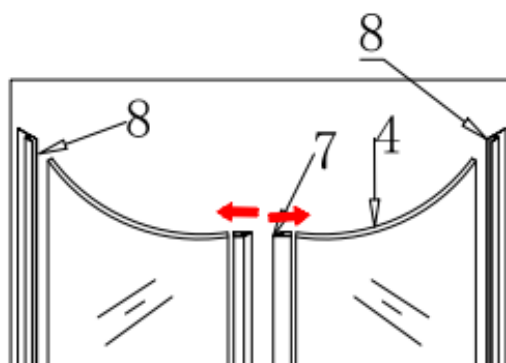
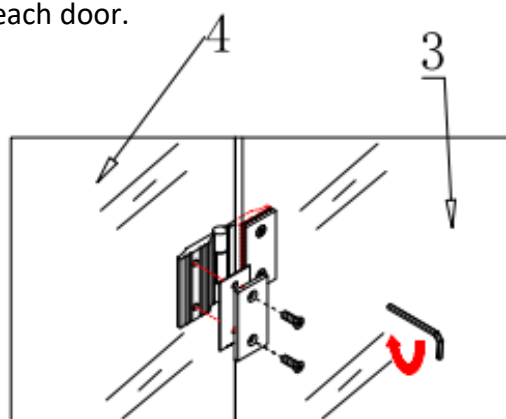
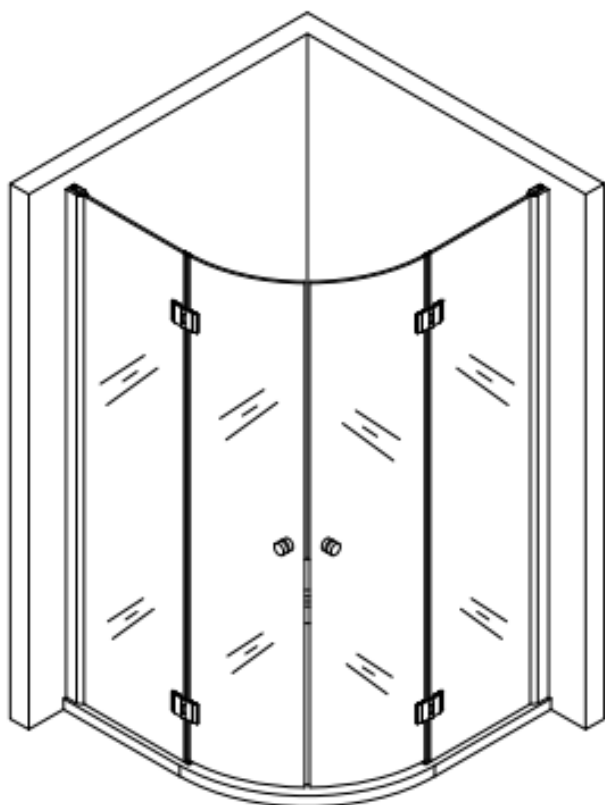
Glass side panel assembly

1. Check with a spirit level that the aluminium profile is level with the wall.
2. Mark with a pencil where holes will be drilled.
3. Drill holes and insert wall plugs.
4. Screw the aluminium profile onto the wall.
5. Install the glass panels onto the aluminium profile, remembering the use included washers.
6. Install the hinges to the glass panels.



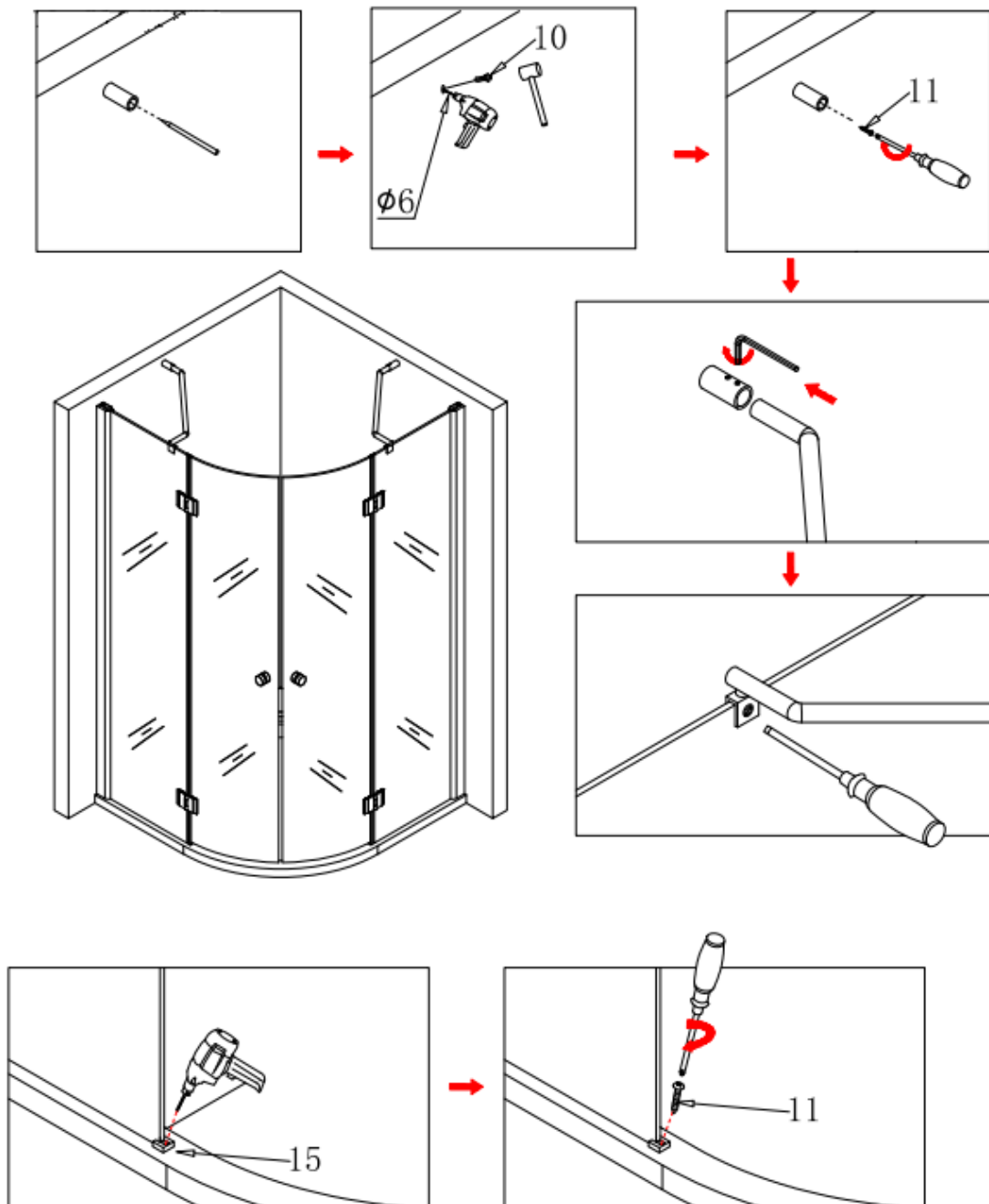
Glass door panel assembly

7. Carefully install both glass doors.
8. Insert the magnetic strips onto the glass doors.
9. Attach handles to the glass doors.
10. Attach the door seal strips to the bottom of each door.



Supporting bar assembly

11. Adjust the magnetic door strips if needed, making sure that they are level.
12. Place supporting bars onto the side panels, using a pencil to mark where holes will be drilled.
13. Drill holes and insert wall plugs.
14. Remove ends of supporting bars, screwing them onto the wall.
15. Attach support bar, screwing it into place.
16. Carefully drill holes into shower tray or floor for the glass fixing pieces, screwing them into place.



Profile cap assembly

17. Tighten the fixed glass screws.
18. Attach the decorative aluminium bar.

