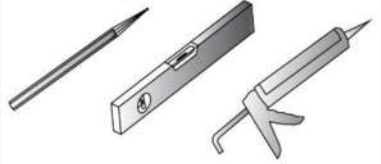




DUROVIN
BATHROOMS

Acrylic Shower Tray
Installation Manual

Tools Required

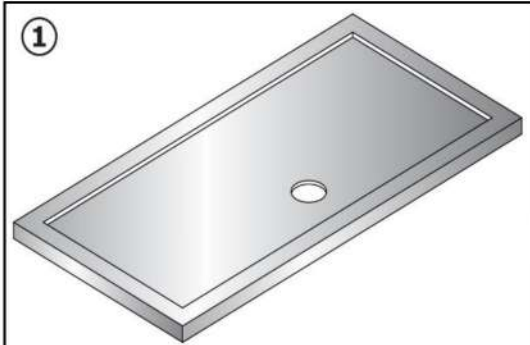


Customer Notification

Please be advised these instructions are for the Shower tray only. When purchasing the shower tray only the tray can be fitted before or after tiling and sealed to create a watertight edge.

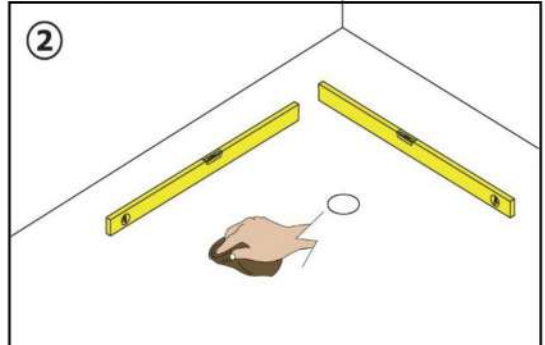
Should this item be purchased as part of any of our Shower enclosures the tiling must have taken place before tray installation and sealed with waterproof membrane and/or sealant. This is to prevent the tile width causing the panels to overhang the tray.

ON FLOOR INSTALLATION



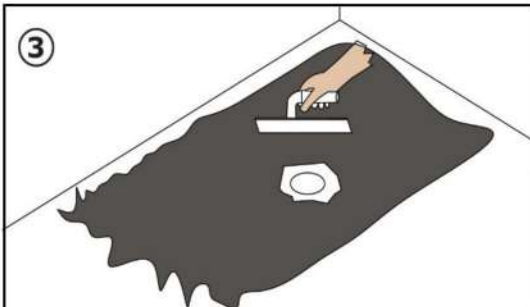
①

Remove protective plastic film from the areas near the waste and those sides of the tray which will be against a wall.



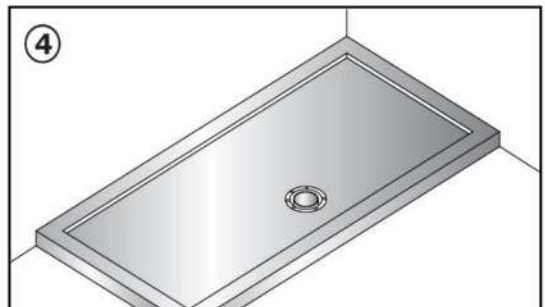
②

Ensure that the location of the shower tray is firm, level, and clean.



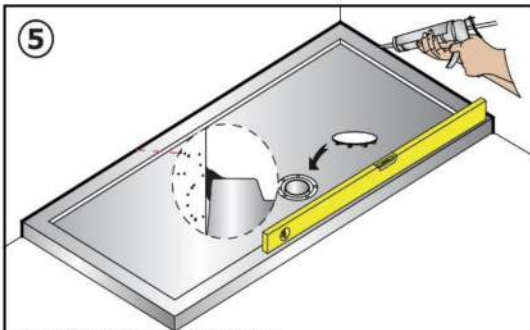
③

Install the shower tray on a 15mm depth of weak cement mix (sand/cement ratio 5:1). Tile adhesive can be used as an alternate to sand or cement. Please note if using water based adhesives, to enhance the bonding it is suggested that a suitable primer is applied to the base of the shower tray before installation.



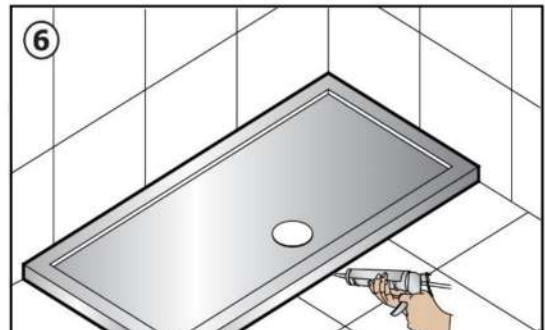
④

Fit the shower tray waste. Ensure the two side edges are flat to the wall. Place the shower tray onto the cement bed and apply gentle pressure with the palm of the hand to bed the tray into position.



⑤

Level the tray and allow to set. When shower tray is set remove the remainder of the protective plastic film and connect the waste pipe and check for leakage. Please seal joints between tray and wall with an anti fungal silicone sealant and allow to set.



⑥

Tile and seal joints with an anti fungal silicone sealant and allow to set.

