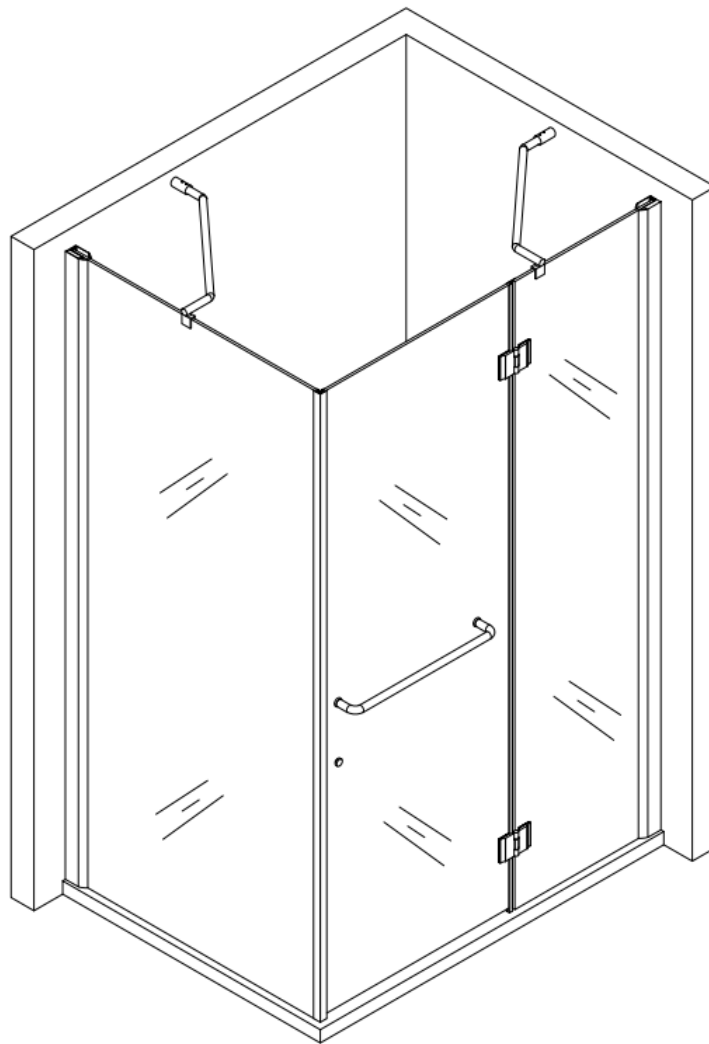




DUROVIN
BATHROOMS

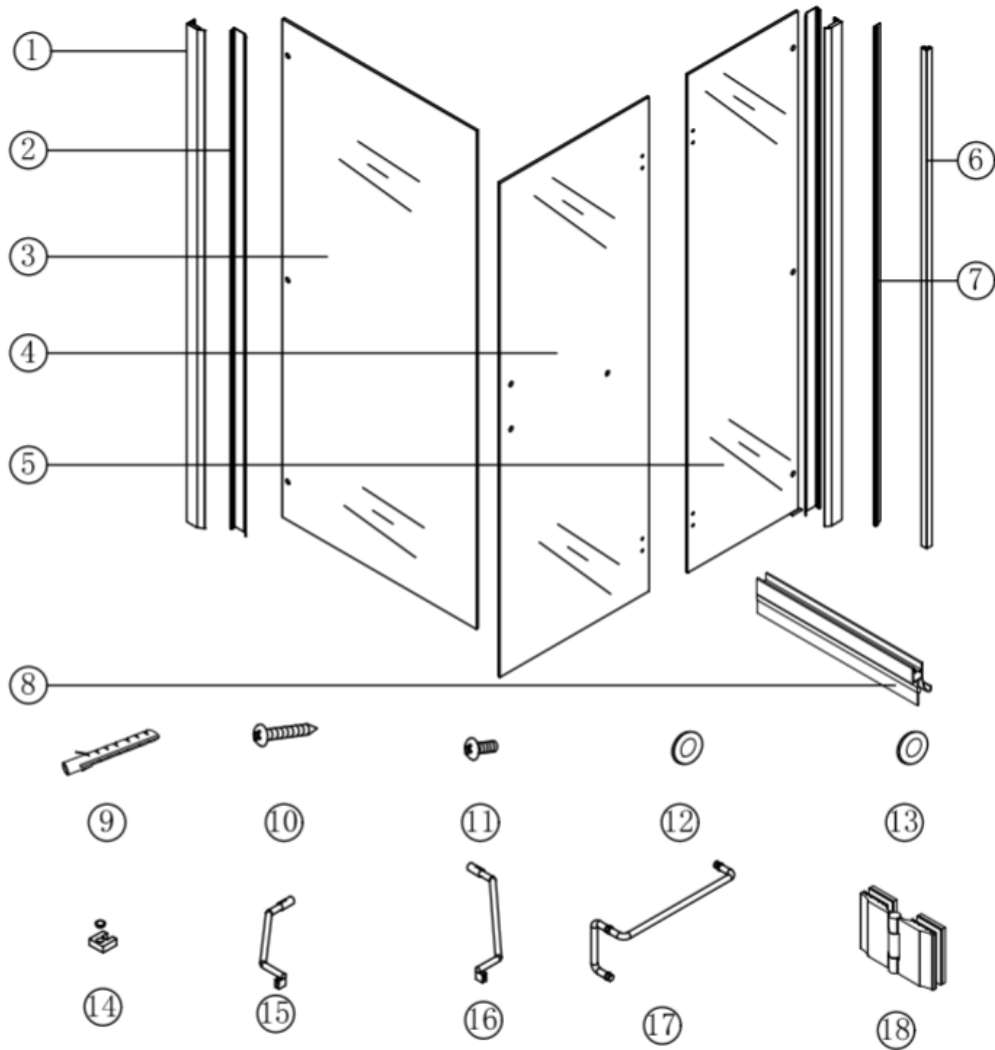


Ravenna 4 L Shape Instructions

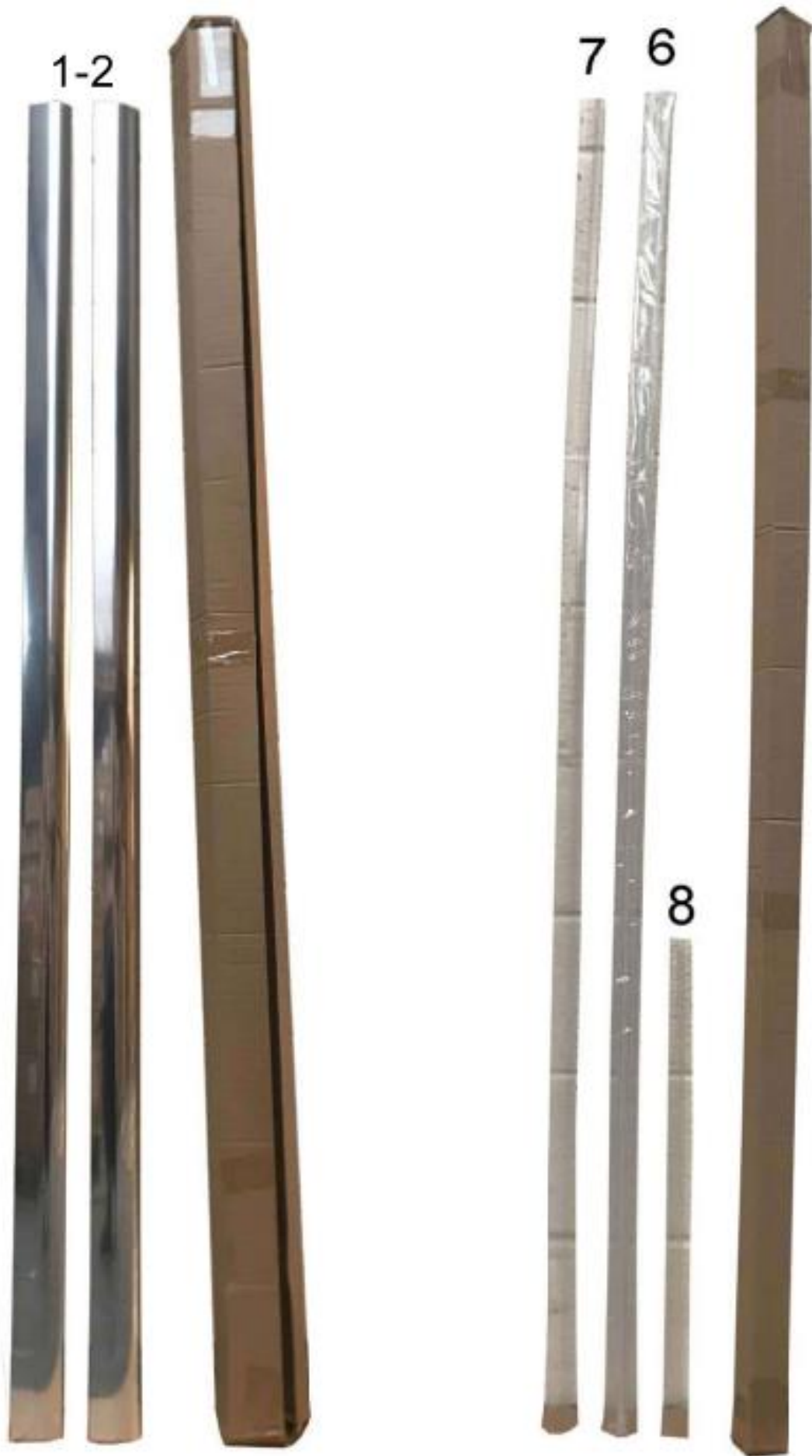
Table of Contents

| | |
|---------------------------------|----|
| Included Parts | 3 |
| Tools required..... | 6 |
| Glass side panel assembly | 7 |
| Glass door panel assembly..... | 8 |
| Supporting bar assembly | 9 |
| Profile cap assembly | 10 |

Included Parts



| Ref | Description | Qty | Ref | Description | Qty | Ref | Description | Qty |
|-----|-----------------------|-----|-----|----------------------------|-----|-----|----------------------|-----|
| ① | Wall facing aluminium | 2 | ⑦ | Side water retaining strip | 1 | ⑬ | Pourable resin chock | 6 |
| ② | Decorative aluminium | 2 | ⑧ | Lower retaining bar | 1 | ⑭ | Glass fixing piece | 2 |
| ③ | Side fixed glass | 1 | ⑨ | Plastic expansion pipe | 8 | ⑮ | Small brace | 1 |
| ④ | Moving glass | 1 | ⑩ | ST4*40 | 8 | ⑯ | Large brace | 1 |
| ⑤ | Fixed glass | 1 | ⑪ | M6*20 | 8 | ⑰ | Model L handle | 1 |
| ⑥ | Magnetic stripe | 2 | ⑫ | Stainless steel pads | 6 | ⑱ | Hinge | 2 |



18



14

15



16



12-13



9

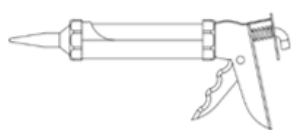
11

10

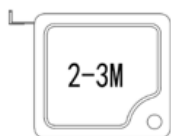
17



Tools required



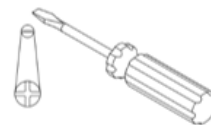
Silicone Gun



Tape Measure



Scissors



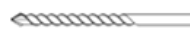
Philips Screwdriver



Hammer



Allen Keys



Drill Bit



Pencil



Power Drill



Level

Two people required. We recommend that a technically competent installer should undertake this installation.

Be sure you have all included parts and tools required before beginning installation and that you have plenty of space for assembly.

If you have ordered this shower enclosure with one of our shower trays, **please note** that tiling should be done before the shower tray is installed. This is so that the shower tray can be pushed up against the tiles and sealed with silicone.

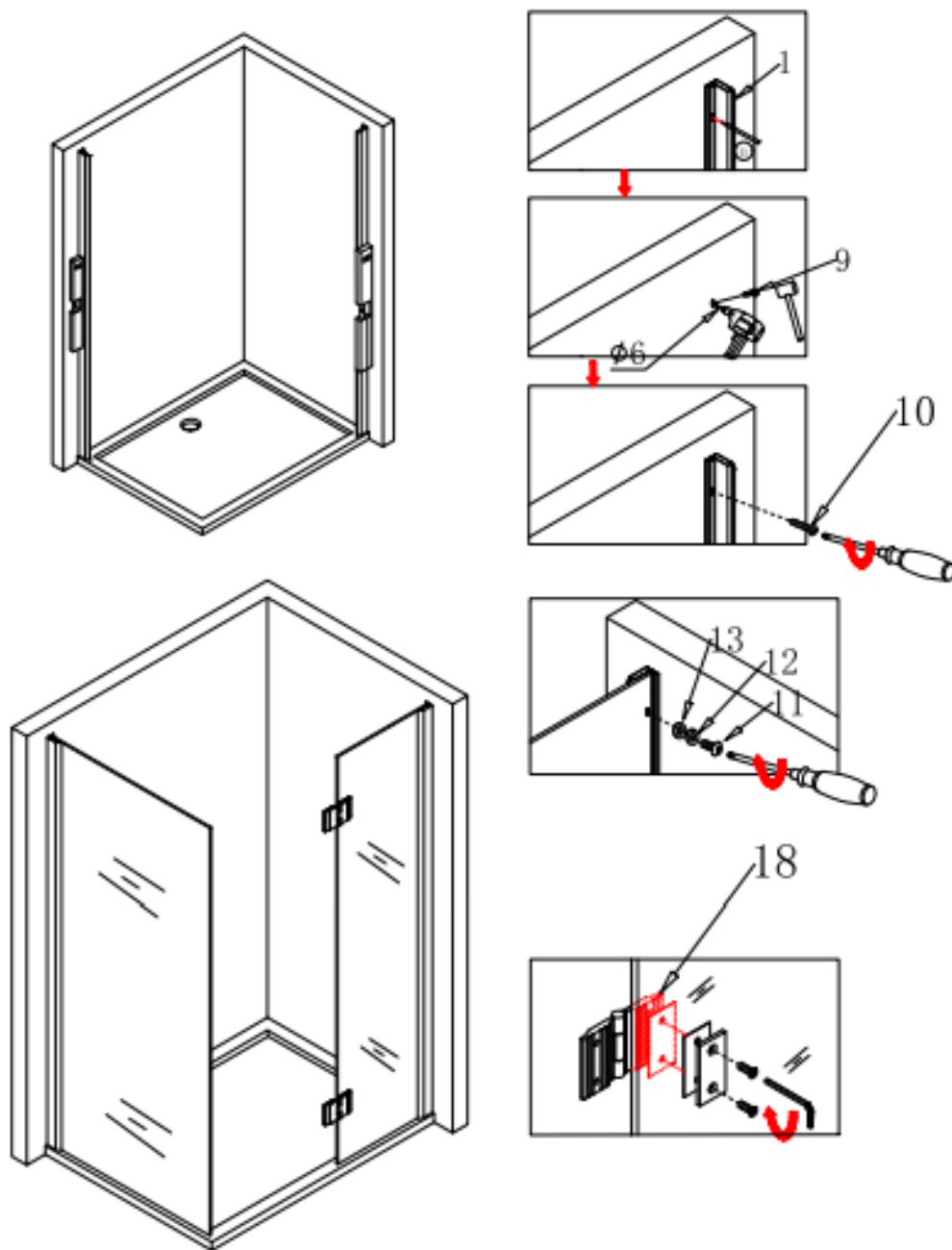
PRE-INSTALLATION AND TECHNICAL REQUIREMENTS

- All dimensions are shown in millimetres, except where otherwise indicated.
- Ensure that the enclosure set is fitted to a level floor and vertical wall surface.
- This instruction manual is applicable for both pre-tiled wall and plain walls.
- The wall fixings included with this product are suitable for solid walls only. Plasterboard or stud walls may require specialist fixings (not supplied).
- Due to the possibility of residual spray, the area around the outside of the shower tray should be tiled, or made otherwise water resistant.

IMPORTANT SAFETY NOTES

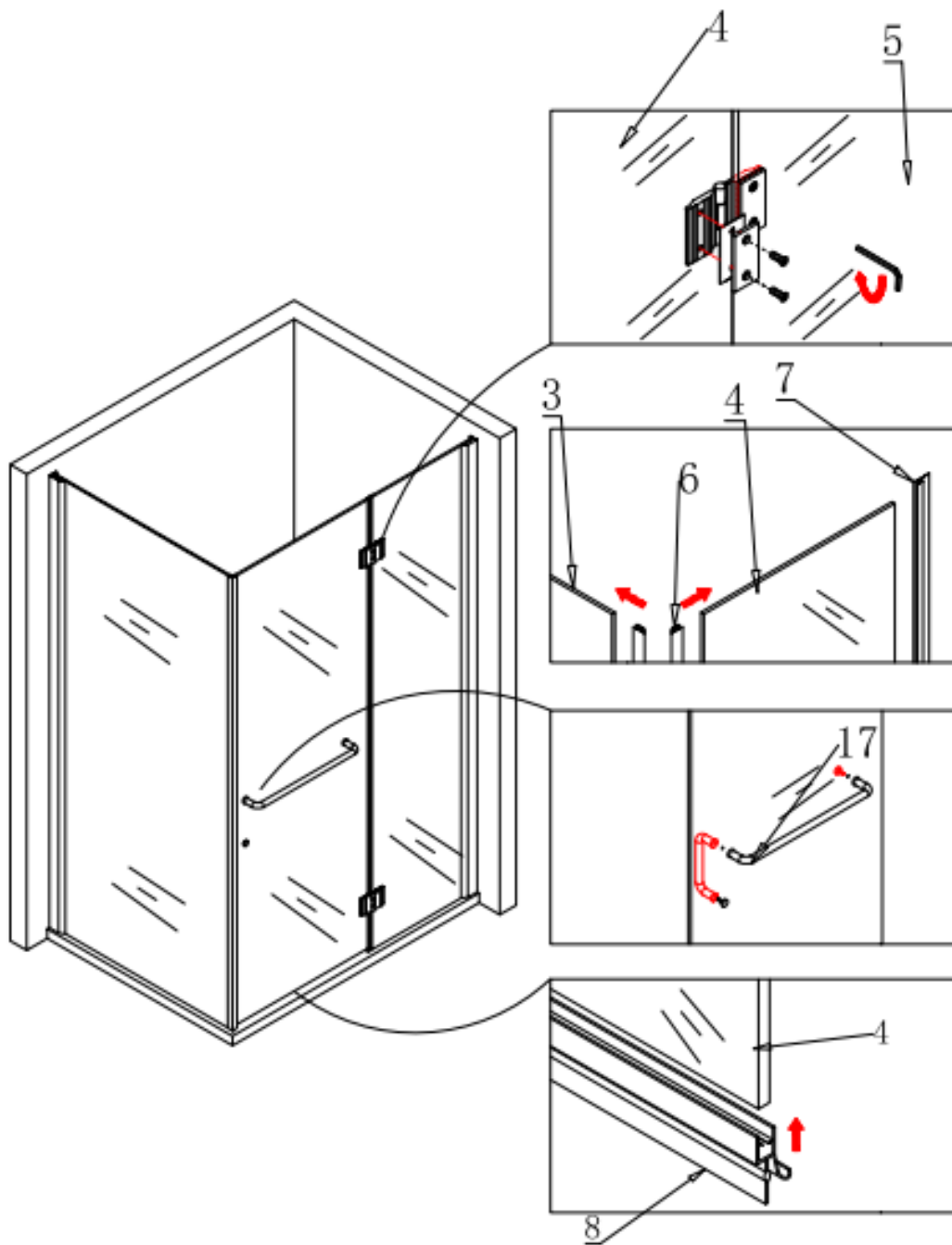
- Under no circumstances should you attempt to drill through the glass, damage or injury may occur
- Please handle all glass with care, avoiding knocks and shock loading to all sides and edges. Safety glass cannot be reworked.
- Care should be taken when drilling into walls to avoid hidden pipes or electrical cables.

Glass side panel assembly



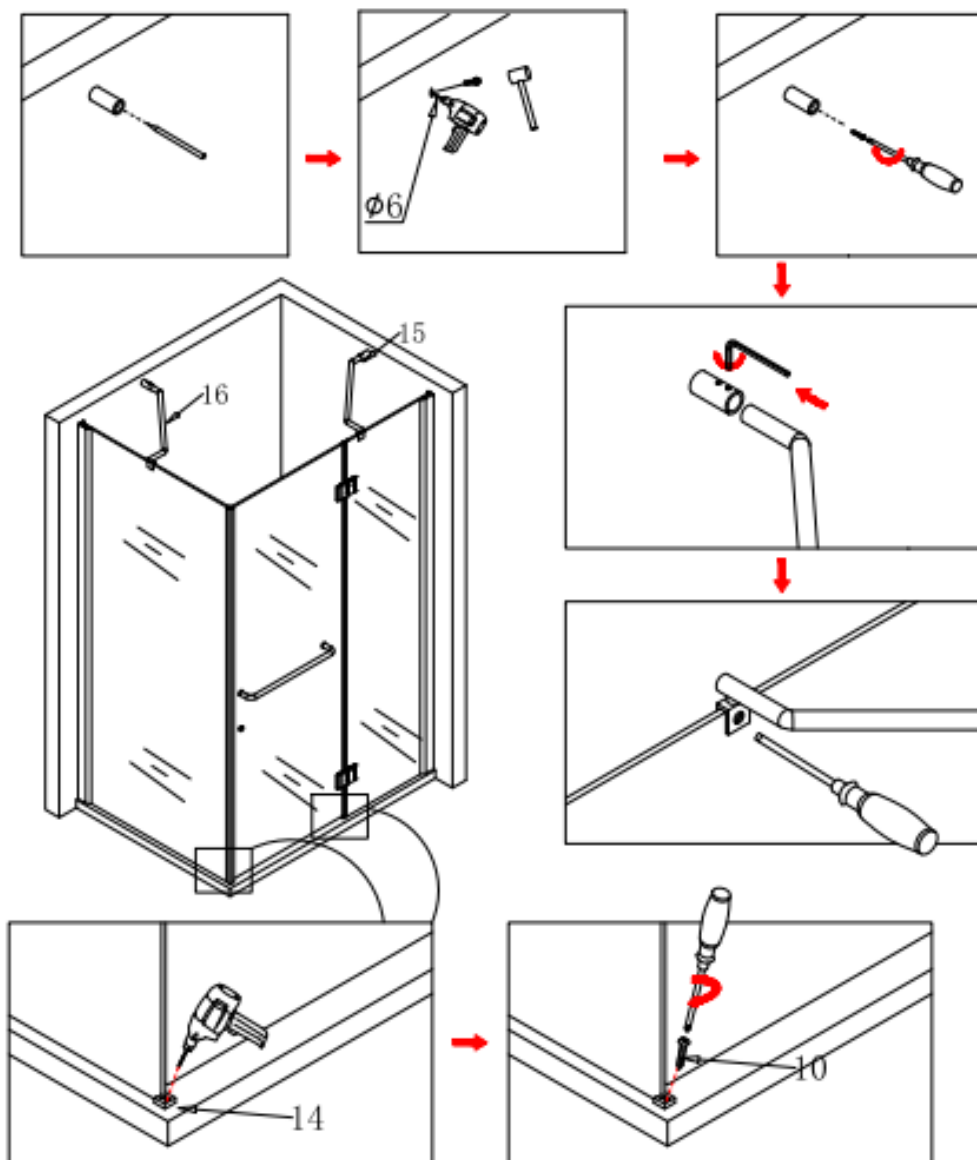
1. Mark on the walls where the holes for the aluminium profile will be drilled.
2. Drill holes and insert wall plugs.
3. Screw the aluminium profiles into place.
4. Attach the glass side panels to the aluminium profiles.
5. Attach the hinges to the glass side panel.

Glass door panel assembly



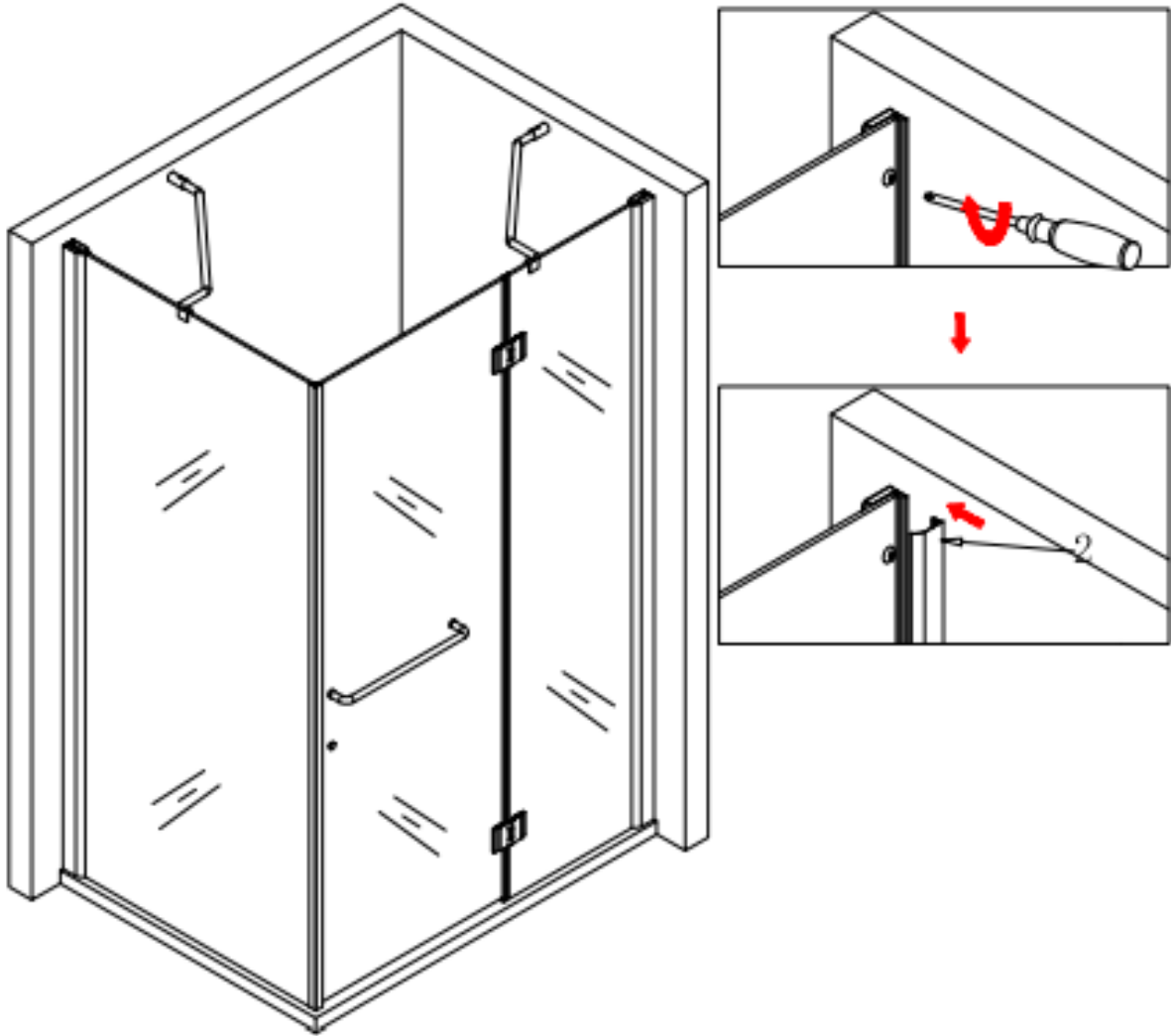
6. Carefully put the glass door in place, attaching the hinges.
7. Slide seals onto the door and side panel.
8. Attach handles to the glass door.
9. Slide bottom seal onto glass door.

Supporting bar assembly



10. Drill holes for the supporting bars and insert wall plugs.
11. Remove one end of each supporting bar, screwing each end into the wall.
12. Place supporting bar into the end cap, screwing it into place.
13. Place the opposite end of the supporting bars onto the glass side panels, tightening them into place.
14. Drill holes into the shower tray or floor, screwing the glass fixing pieces into place.

Profile cap assembly



15. Be sure that the glass side panels are securely in place.
16. Place the decorative aluminium profile over the bolts.