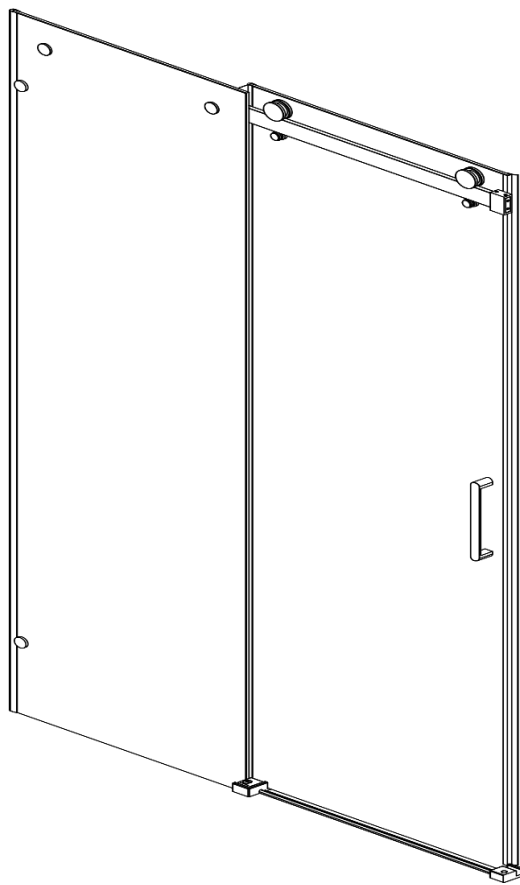




DUROVIN
BATHROOMS



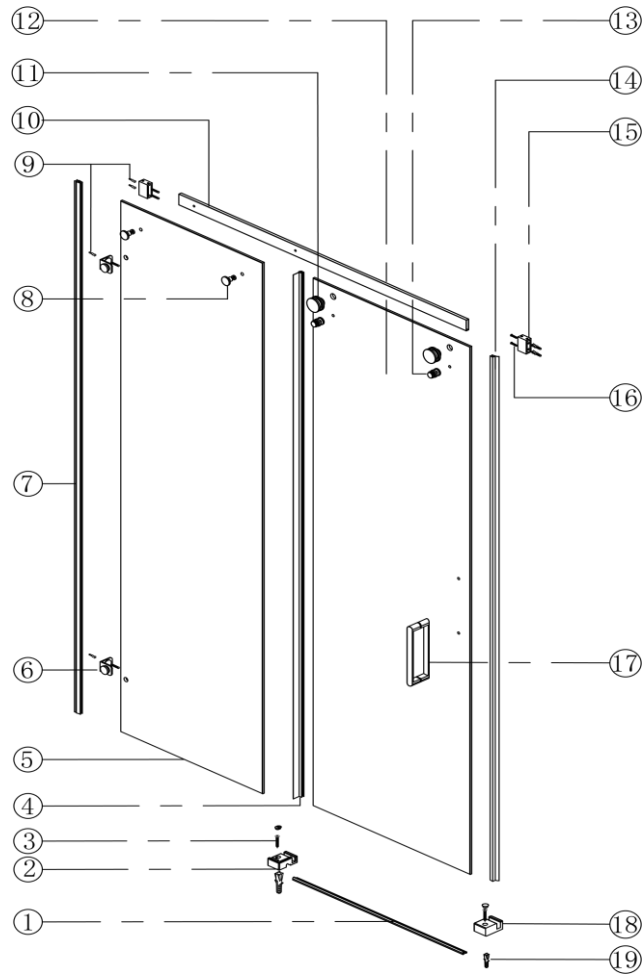
DR04


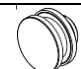













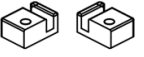


Ravenna 17-2nd Door Only Instructions

Table of Contents

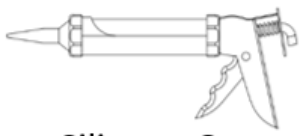
Included Parts	3
Tools Required	4
Sealing strip and brackets assembly	6
Glass side panel assembly	8
Glass door panel assembly	11
Apply silicone sealant	13

Included Parts

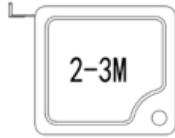


Ref	Description	Illustrations	Qty	Ref	Description	Illustration	Qty
①	Bottom Seal		1	⑪	Glass Door Rollers		2
②	Glass Fixing Piece		(R/L) 1	⑫	Glass Door		1
③	Screws		2	⑬	Caps		2
④	Door Seal		1	⑭	Door Seal		1
⑤	Glass Side Panel		1	⑮	Supporting Bar End Caps		2
⑥	Brackets		2	⑯	Screws		6
⑦	Side Panel Seal		1	⑰	Handles		1
⑧	Caps		2	⑱	Glass Fixing Piece		(R/L) 1
⑨	Wall Plugs		6				
⑩	Supporting Bar		1				

Tools Required



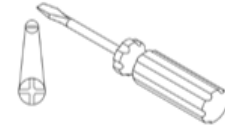
Silicone Gun



Tape Measure



Scissors



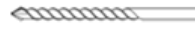
Philips Screwdriver



Hammer



Allen Keys



Drill Bit



Pencil



Power Drill



Level

Two people required. We recommend that a technically competent installer should undertake this installation.

Be sure you have all included parts and tools required before beginning installation and that you have plenty of space for assembly.

If you have ordered this shower enclosure with one of our shower trays, **please note** that tiling should be done before the shower tray is installed. This is so that the shower tray can be pushed up against the tiles and sealed with silicone.

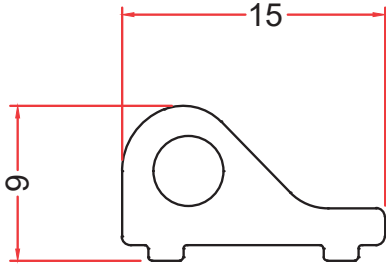
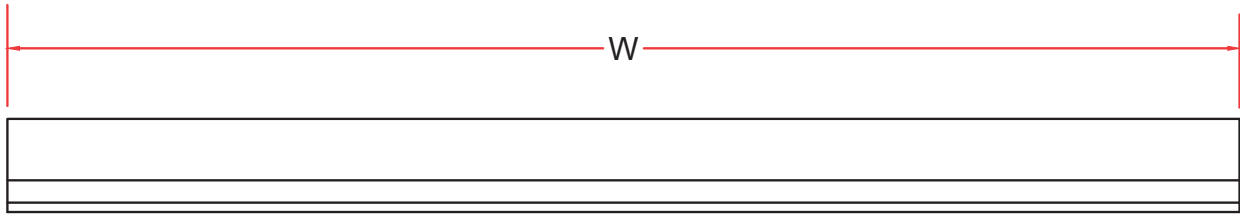
PRE-INSTALLATION AND TECHNICAL REQUIREMENTS

- All dimensions are shown in millimetres, except where otherwise indicated.
- Ensure that the enclosure set is fitted to a level floor and vertical wall surface.
- This instruction manual is applicable for both pre-tiled wall and plain walls.
- The wall fixings included with this product are suitable for solid walls only. Plasterboard or stud walls may require specialist fixings (not supplied).
- Due to the possibility of residual spray, the area around the outside of the shower tray should be tiled, or made otherwise water resistant.

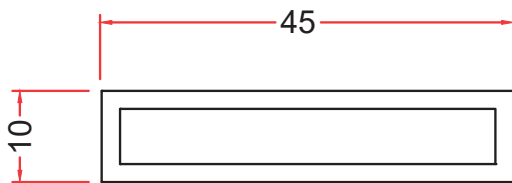
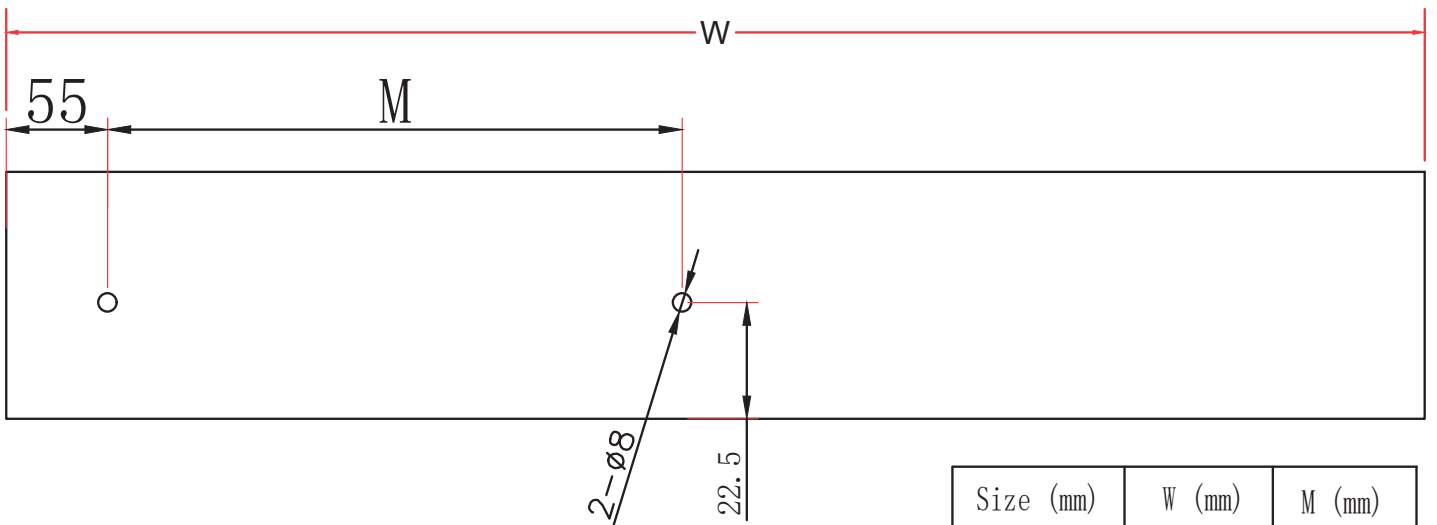
IMPORTANT SAFETY NOTES

- Under no circumstances should you attempt to drill through the glass, damage or injury may occur
- Please handle all glass with care, avoiding knocks and shock loading to all sides and edges. Safety glass cannot be reworked.
- Care should be taken when drilling into walls to avoid hidden pipes or electrical cables.

Note: The aluminium bars need to be cut to length. Please find the required length shown on the table based on your shower enclosure's door size.



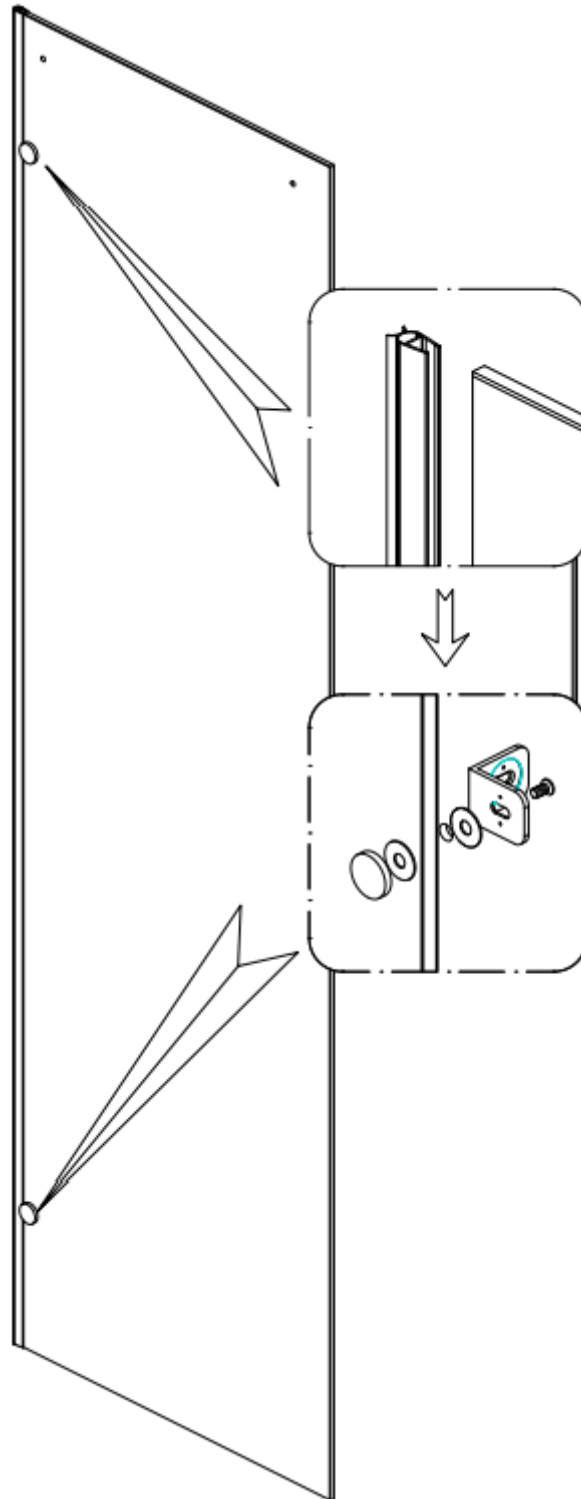
Size	W (mm)
1050/1000*1950	490
1150/1100*1950	540
1250/1200*1950	590
1350/1300*1950	640
1400/1450*1950	690
1500*1950	740



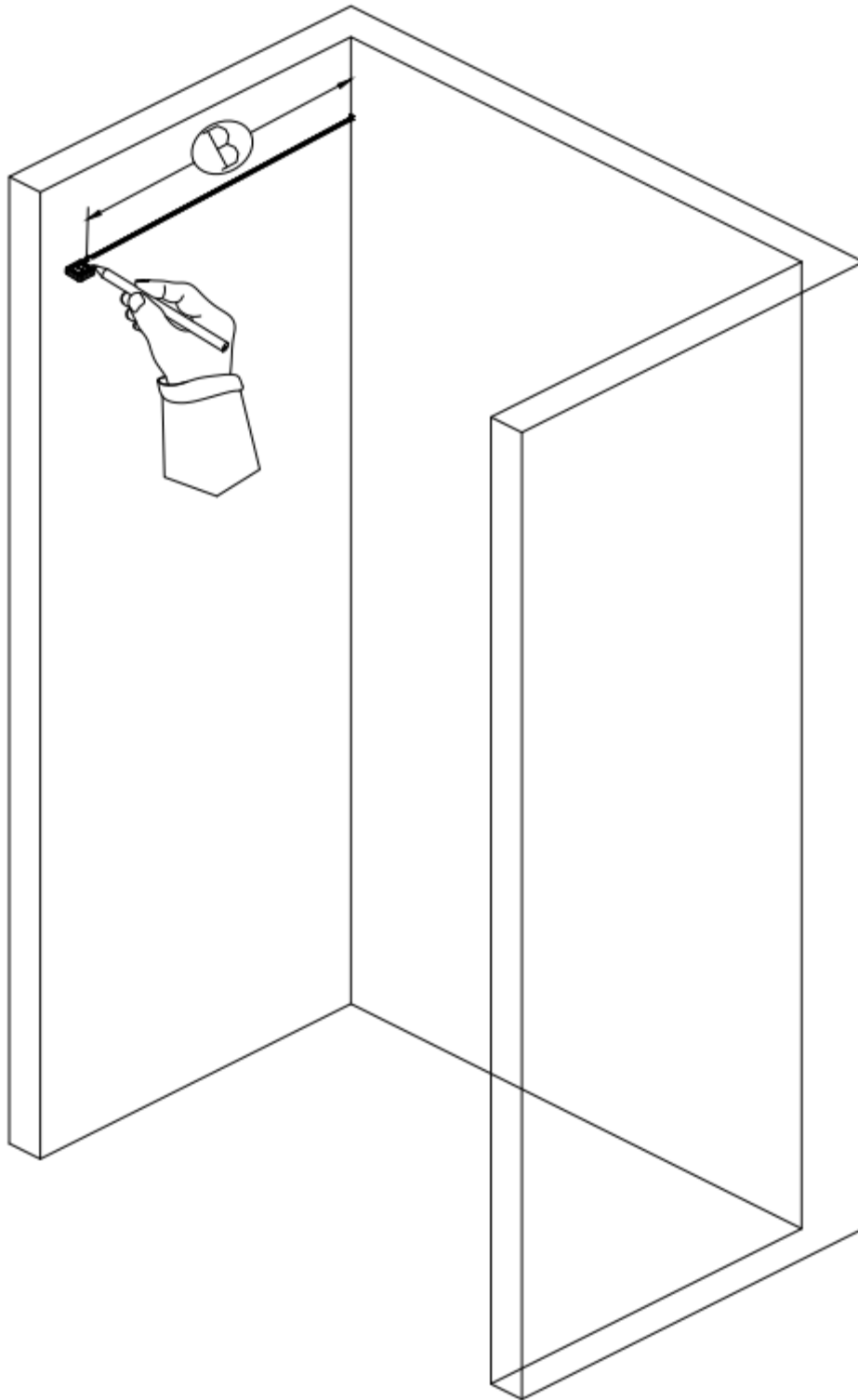
Size (mm)	W (mm)	M (mm)
1000*1950	970	360
1050*1950	1020	410
1100*1950	1070	
1150*1950	1120	460
1200*1950	1170	
1250*1950	1220	510
1300*1950	1270	
1350*1950	1320	560
1400*1950	1370	
1450*1950	1420	610
1500*1950	1470	

Attention: Please cut this aluminium bar from right side, make sure the distance between the hole and the edge match the one shown on this diagram.

Sealing strip and brackets assembly



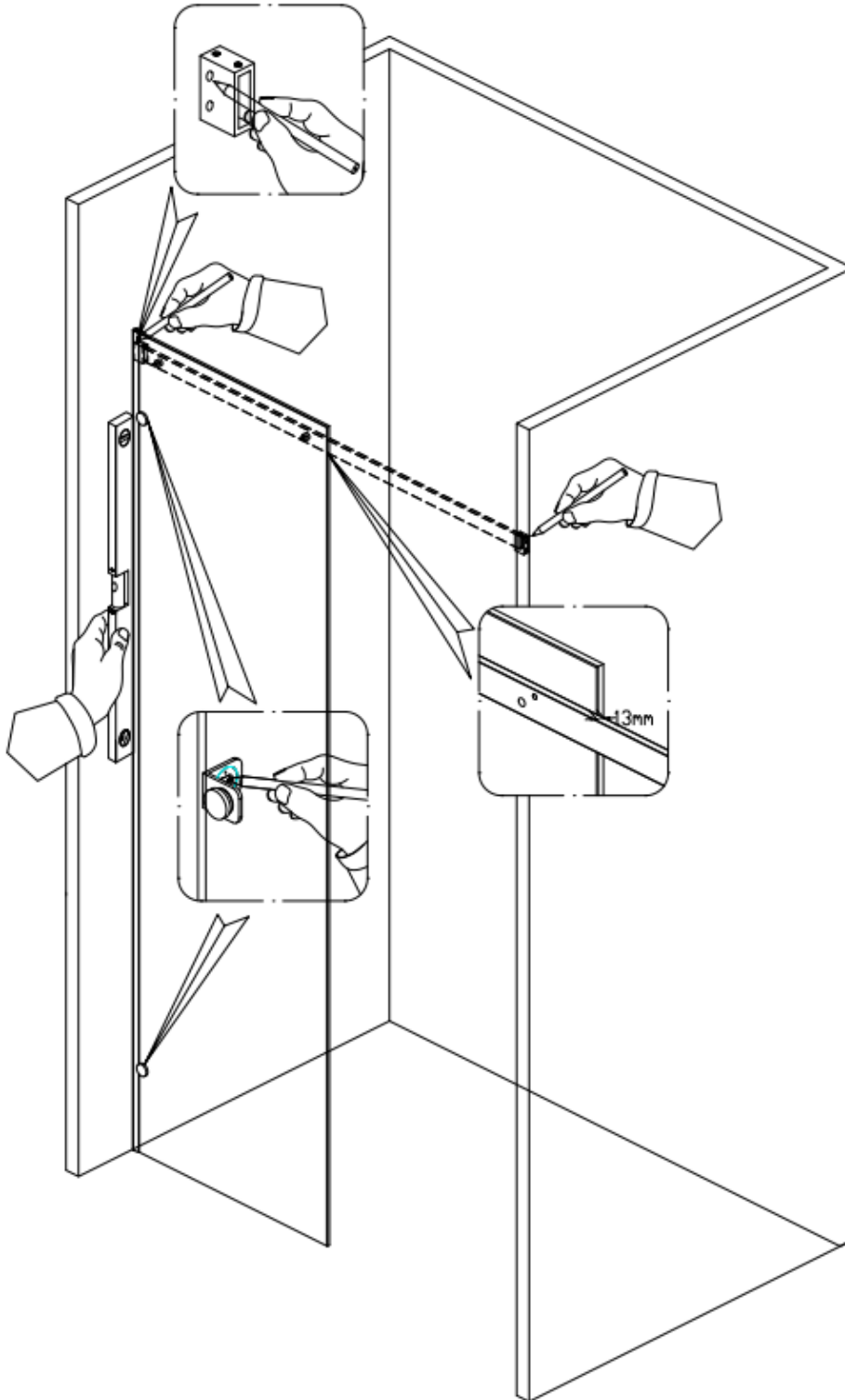
1. Attach the sealing strip onto the glass panel.
2. Attach brackets to the glass panel.

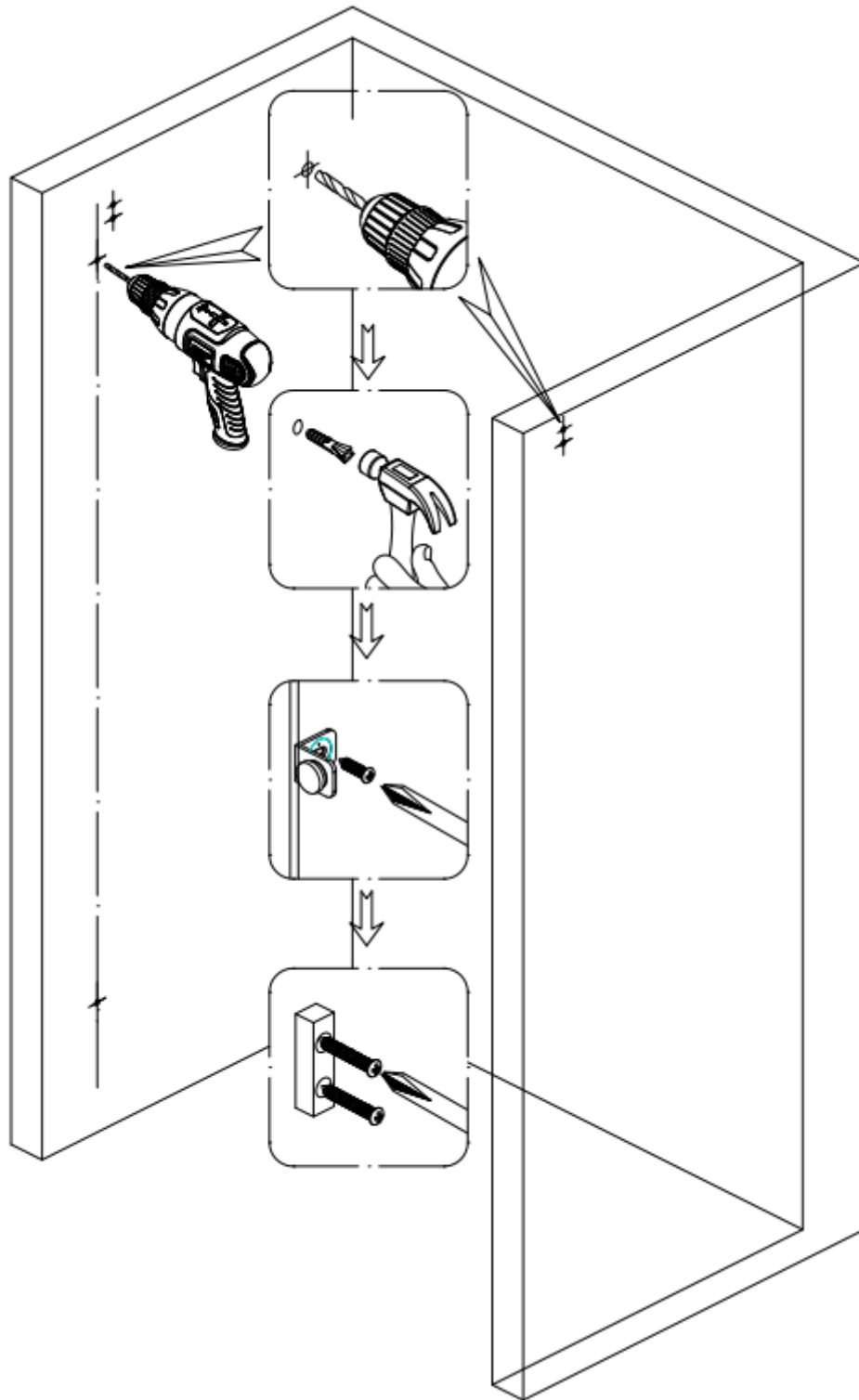


3. Measure how far the door will be from the back wall.

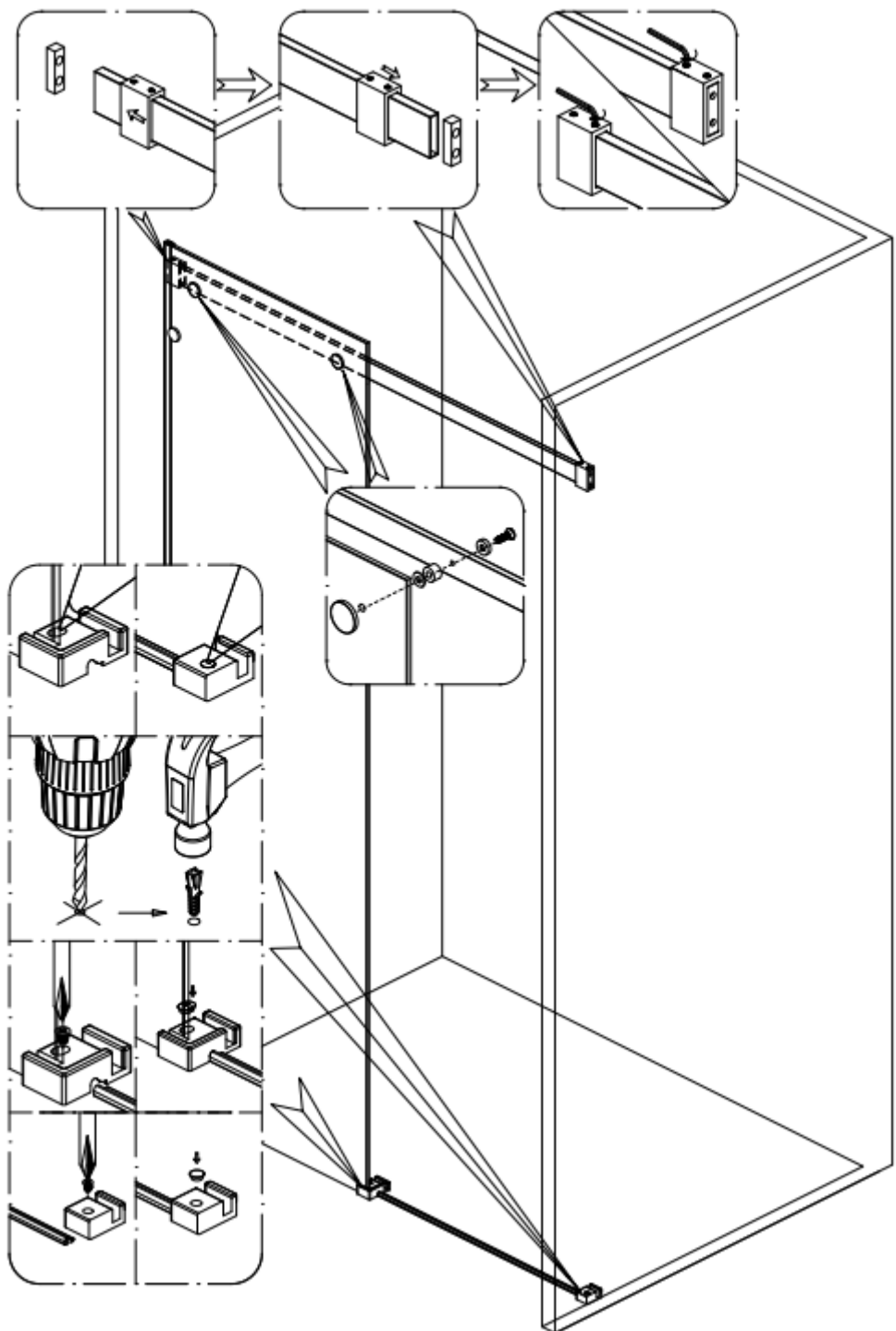
Glass side panel assembly

4. Remove the ends off the top rail. Mark where holes for the glass door brackets and top rail brackets will be drilled.



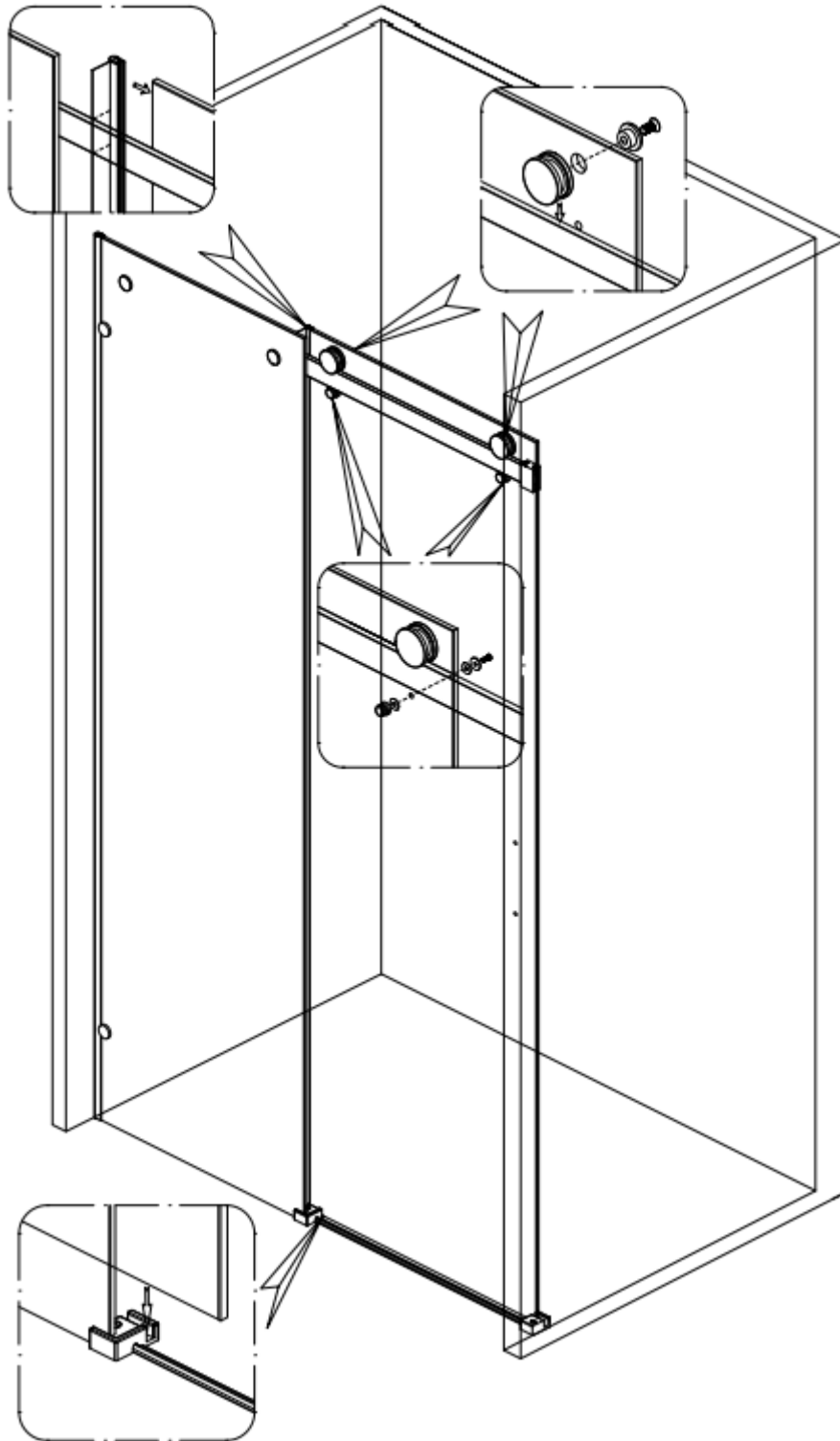


5. Drill holes and insert wall plugs.
6. Carefully lift the glass panel into place, screwing it into place on the wall.
7. Screw the top rail end brackets into place.

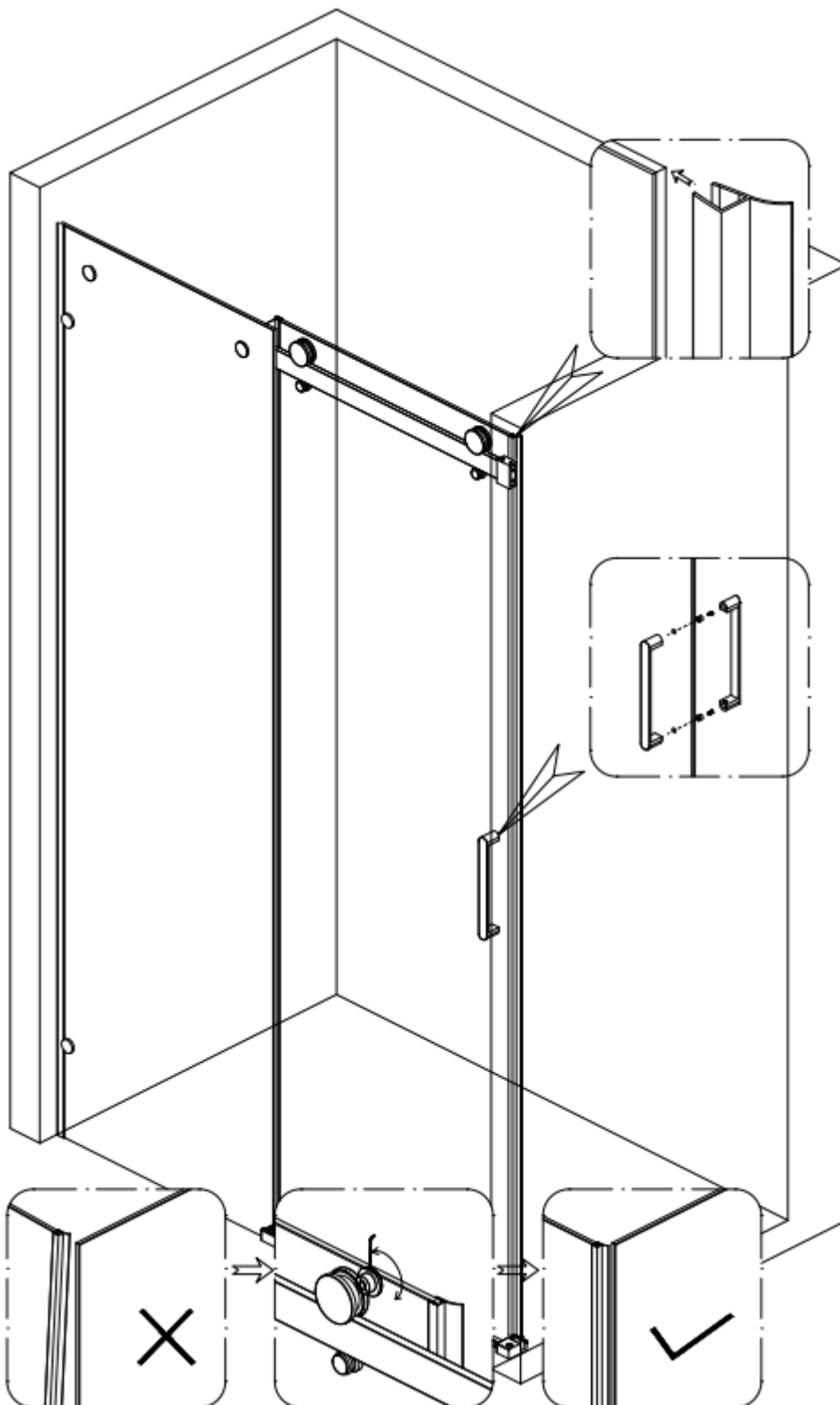


8. Attach the top rail to its end brackets, tightening it into place.
9. Screw the top rail to the glass side panel.
10. Carefully drill holes into the shower tray or floor for the glass fixing pieces, inserting plugs and screwing them into place.

Glass door panel assembly

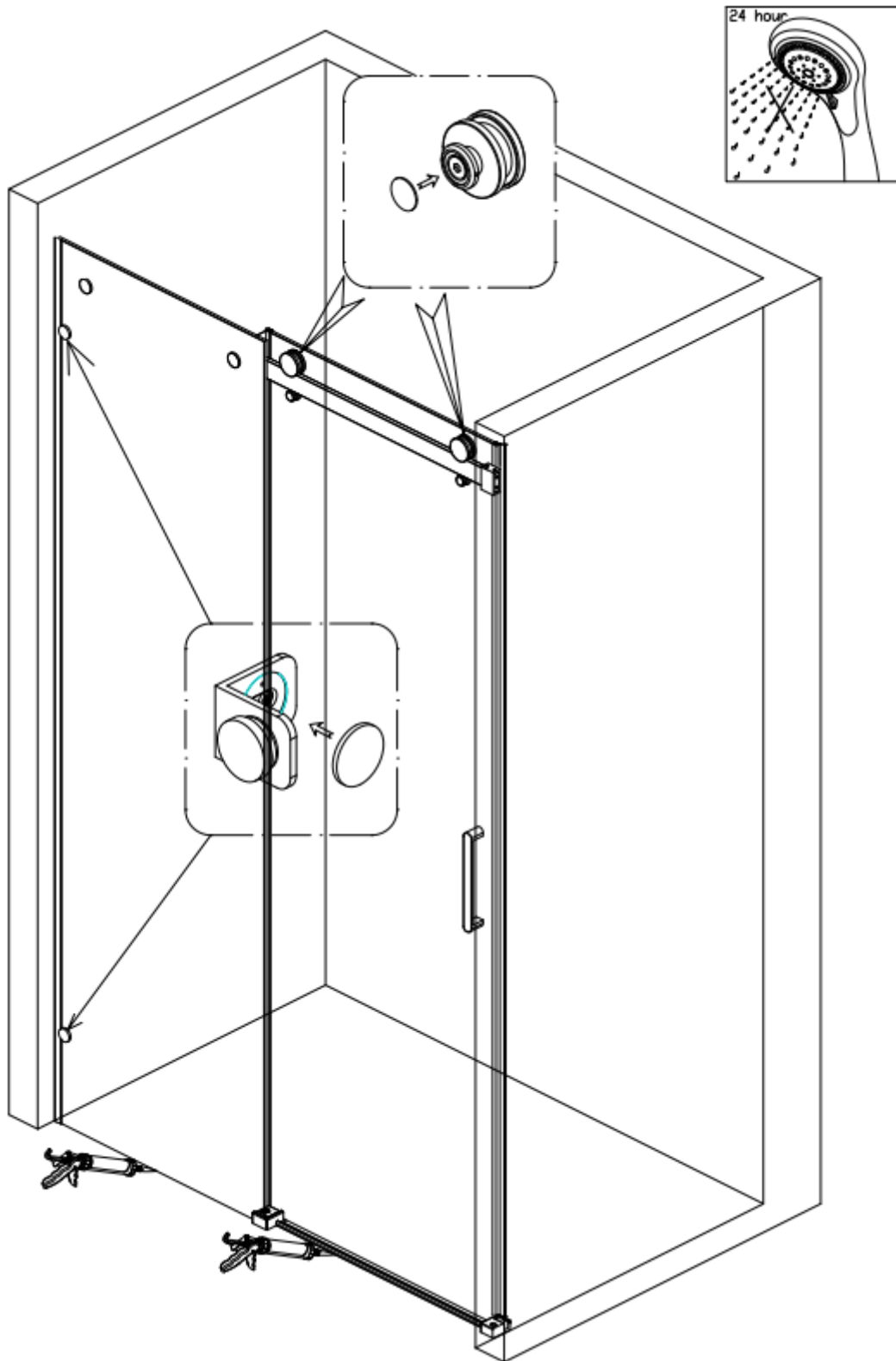


11. Slide seal onto the glass door.
12. Attach rollers to the glass door.
13. Attach bottom seal to the shower enclosure opening.



- 14. Attach seal to the glass door.
- 15. Attach handle to the glass door.

Apply silicone sealant



16. Attach caps to exposed screws.
17. Silicone around the bottom to the glass panel and bottom seal, allow to dry for 24 hours.