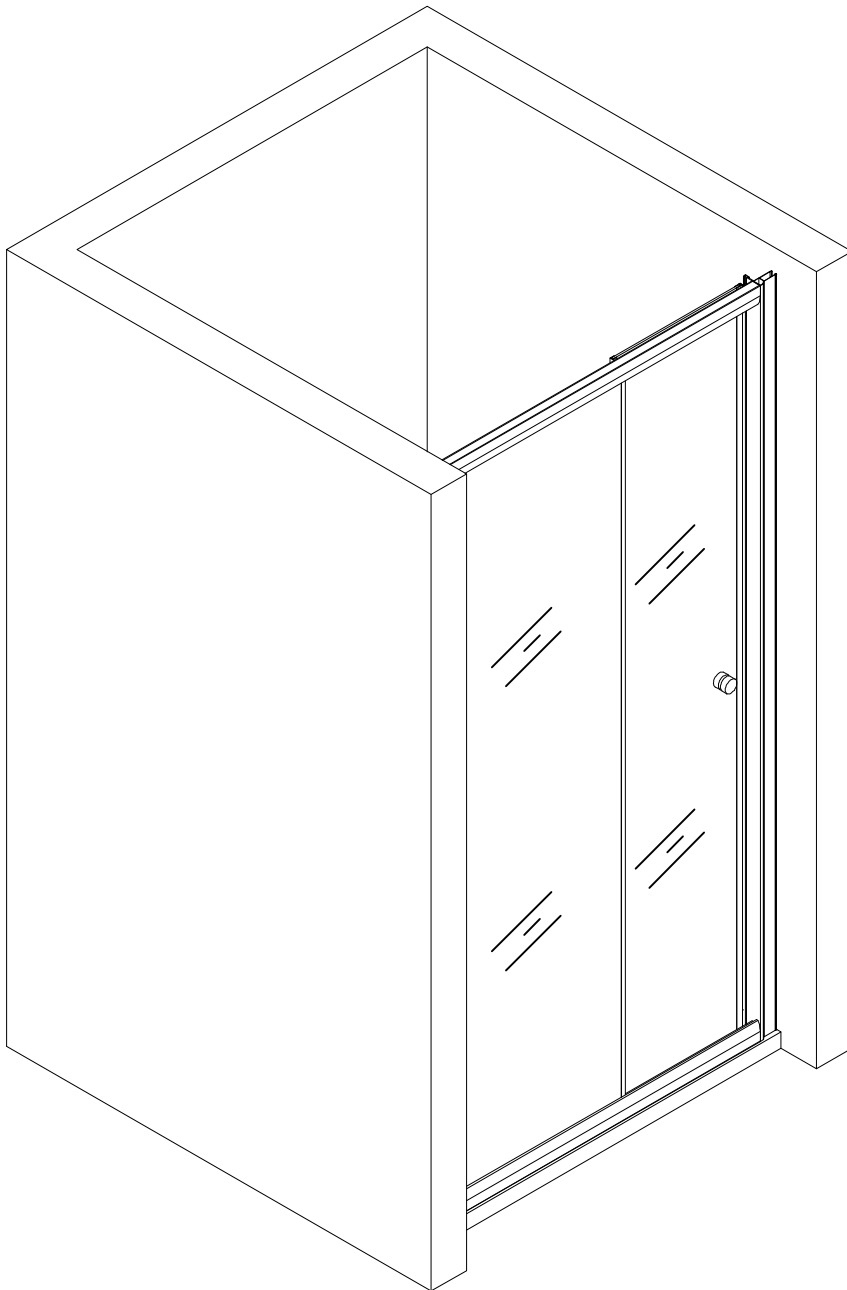




DUROVIN
BATHROOMS

Ravenna 12
Door Only
Installation Manual

518





13



12



9



14



11



8



10



17



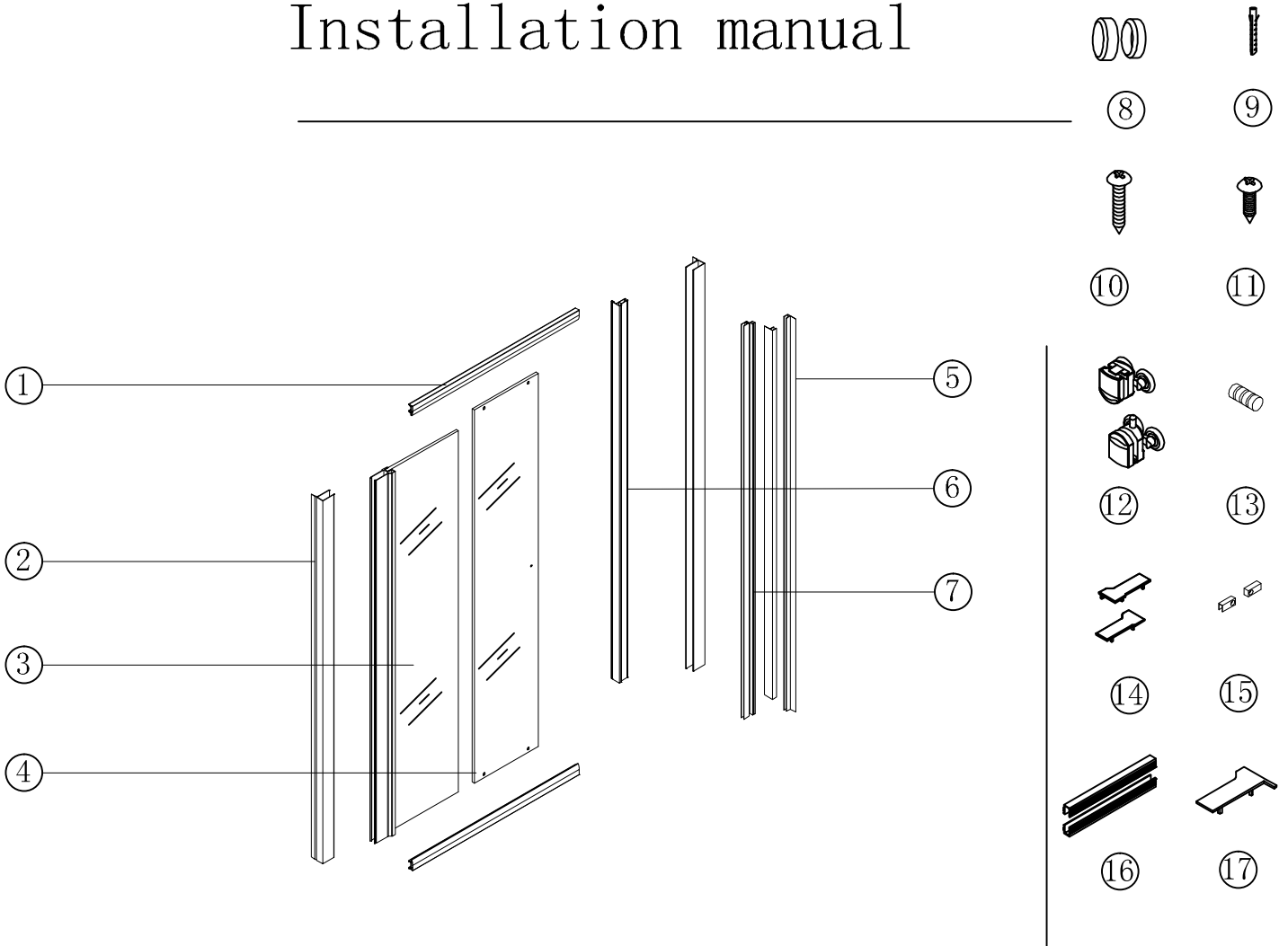
15

Accessory Box



Accessory Box

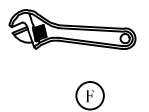
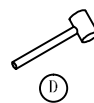
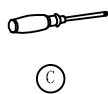
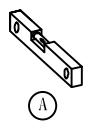
Installation manual



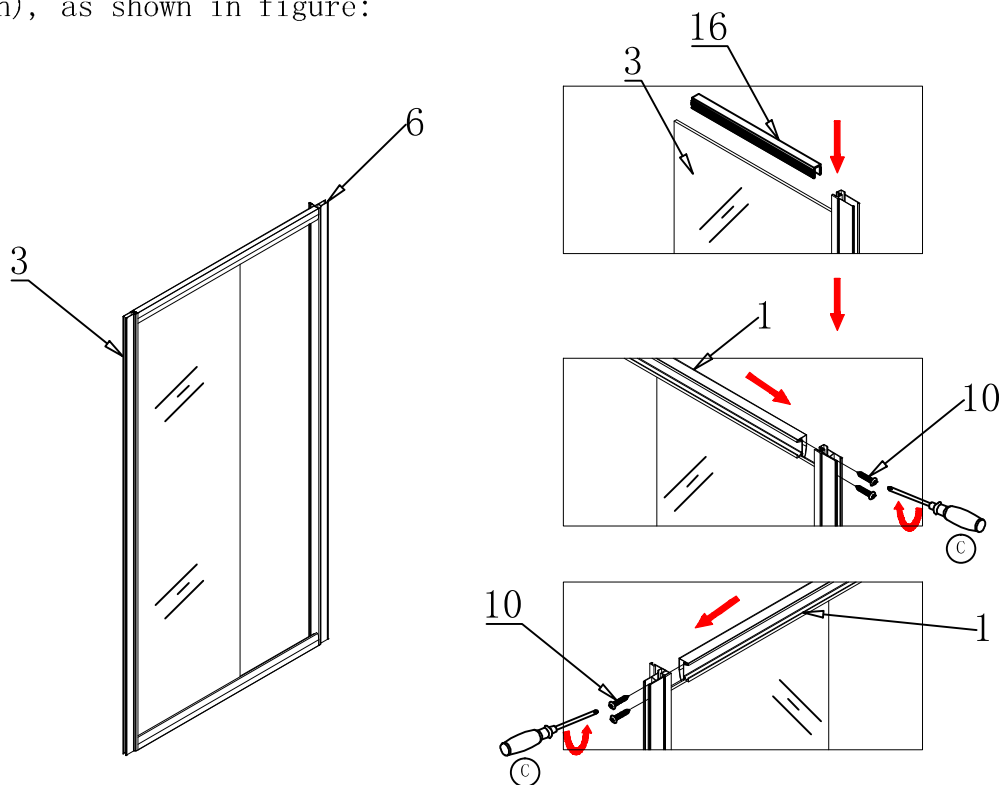
INSTALLATION ACCESSORIES LIST

NO.	NAME	QTY	UNIT	NO.	NAME	QTY	UNIT	NO.	NAME	QTY	UNIT
①	Guide rail	2	PCS	⑧	Decorate hat	12	PCS	⑮	Glass block	2	PCS
②	Against the wall aluminum	2	PCS	⑨	Plastic expansion tubes	6	PCS	⑯	Glass article card	2	PCS
③	Fixed glass	1	PC	⑩	ST4*40	6	PCS	⑰	Decorative cover	1	PC
④	Activity of glass	1	PC	⑪	ST4*12	4	PCS				
⑤	Weather bar	2	PCS	⑫	pulley	4	PCS				
⑥	Magnetic stripe aluminum	1	PC	⑬	handle	1	PC				
⑦	Magnetic stripe	1	PC	⑭	decoration	1	PC				

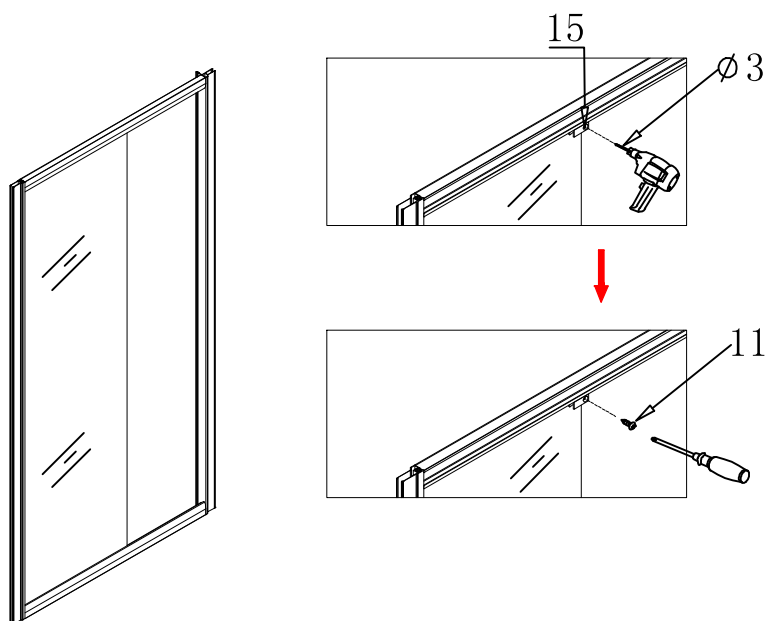
Tools for installation



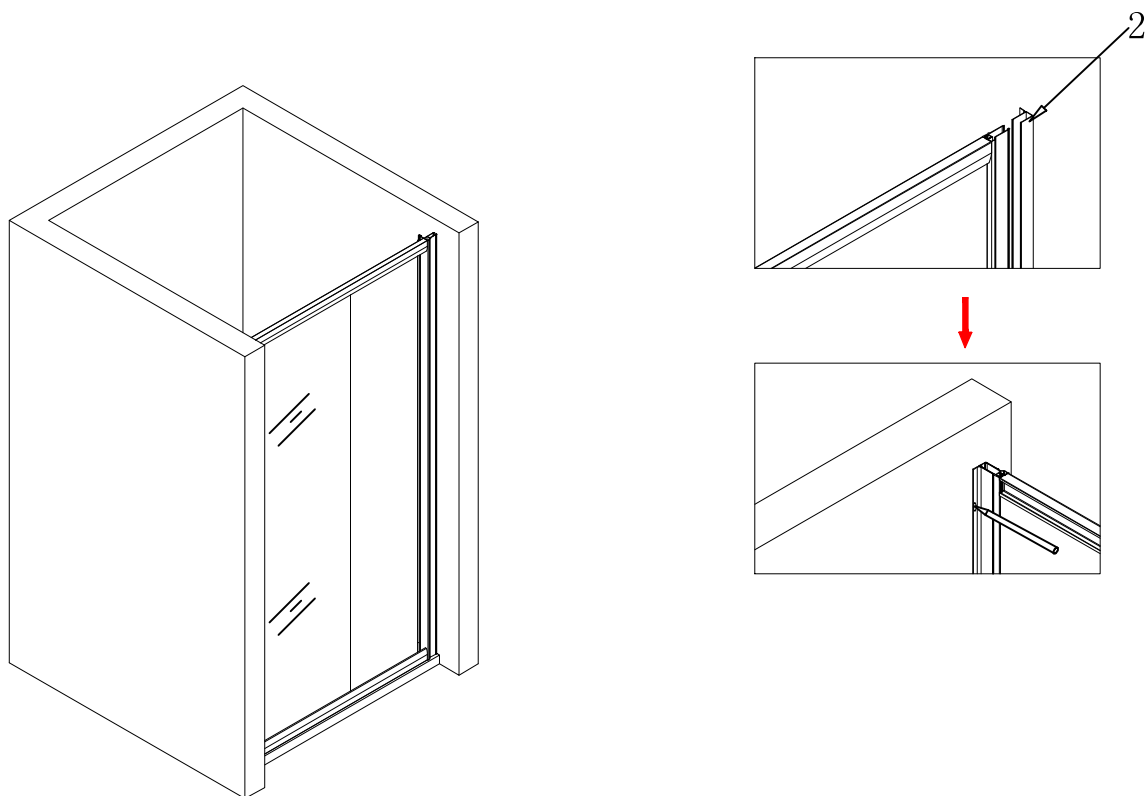
Step 1: the first put the explosion-proof plastic in to the both ends of the fixed glass, and then tightening up the fixed glass and up/down guide rail with self tapping screw , (pay attention to the guide rail has right and left , up and down), as shown in figure:



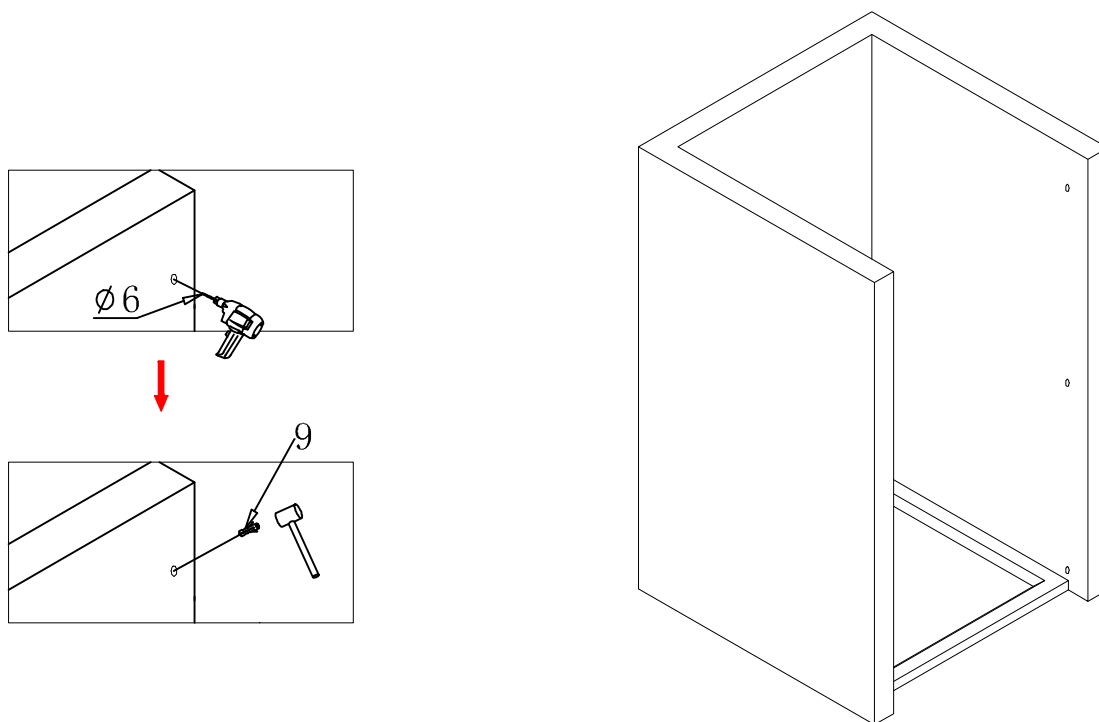
Step2:put the glass block to fixed glass, and then use a drill hole on the guide rail and tightening with self-drilling screw, as shown in figure:



Step3: put the against the wall aluminum to the glass door, moved to the installation position and mark on the wall and open hole, as shown in figure.

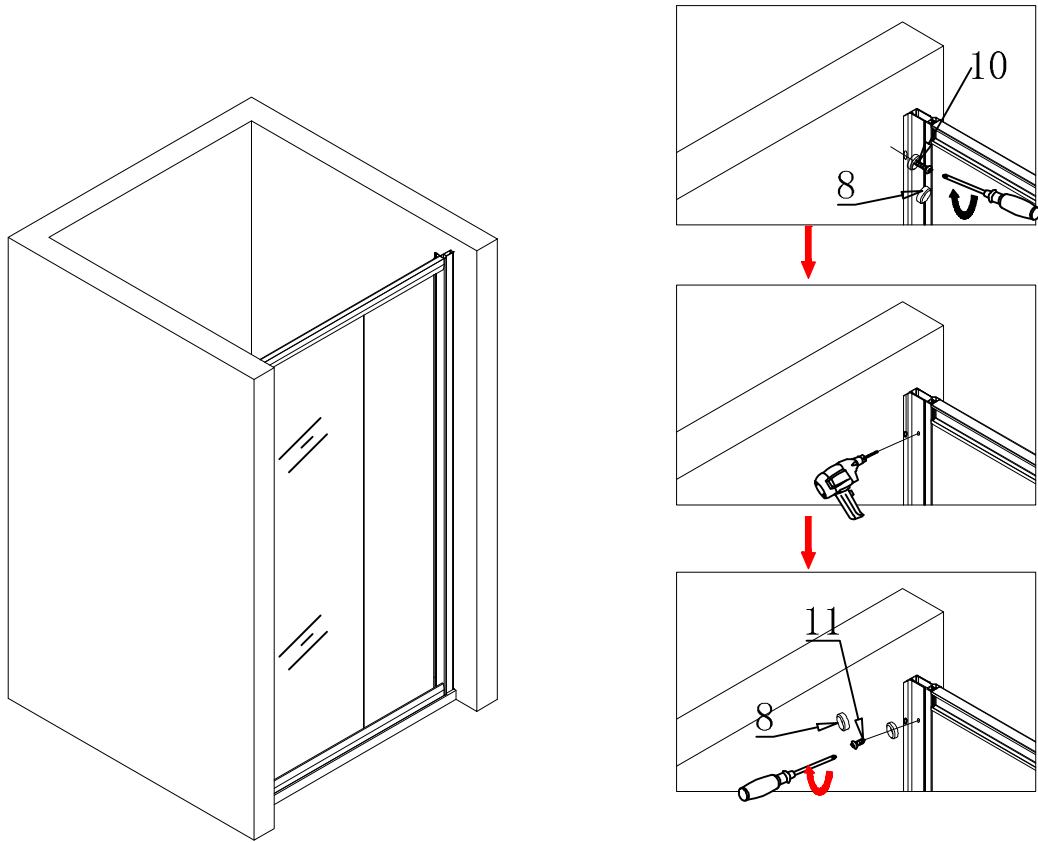


Step4: hole on wall and knock into the rubber plug, as shown in figure:

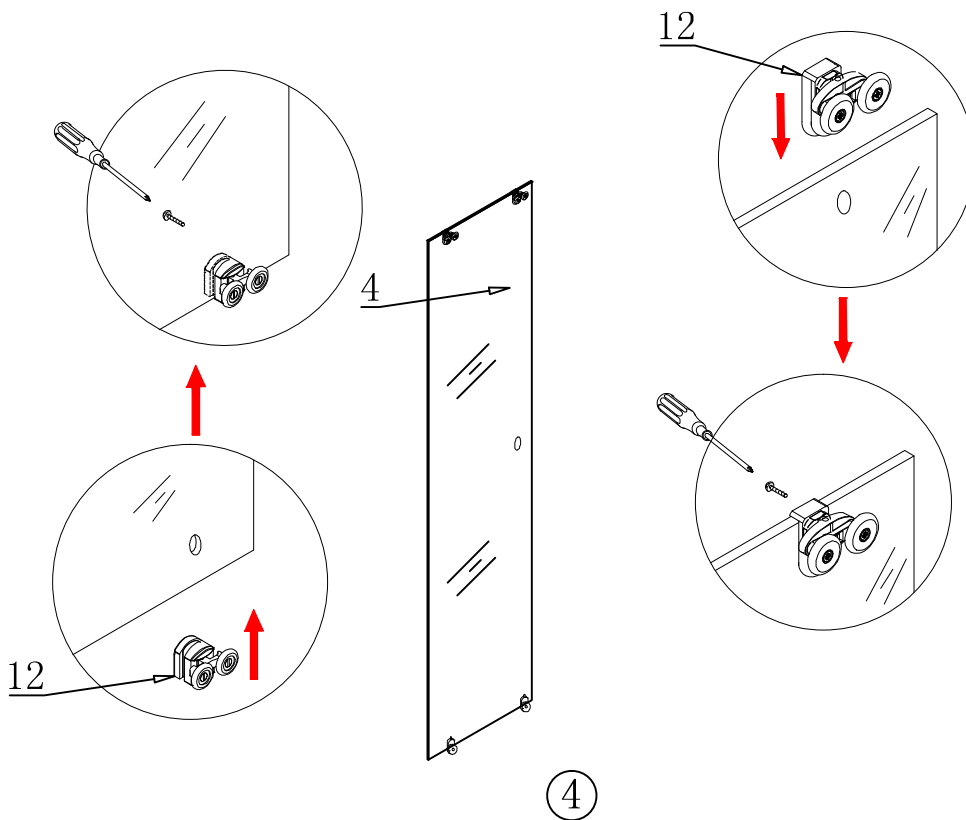


③

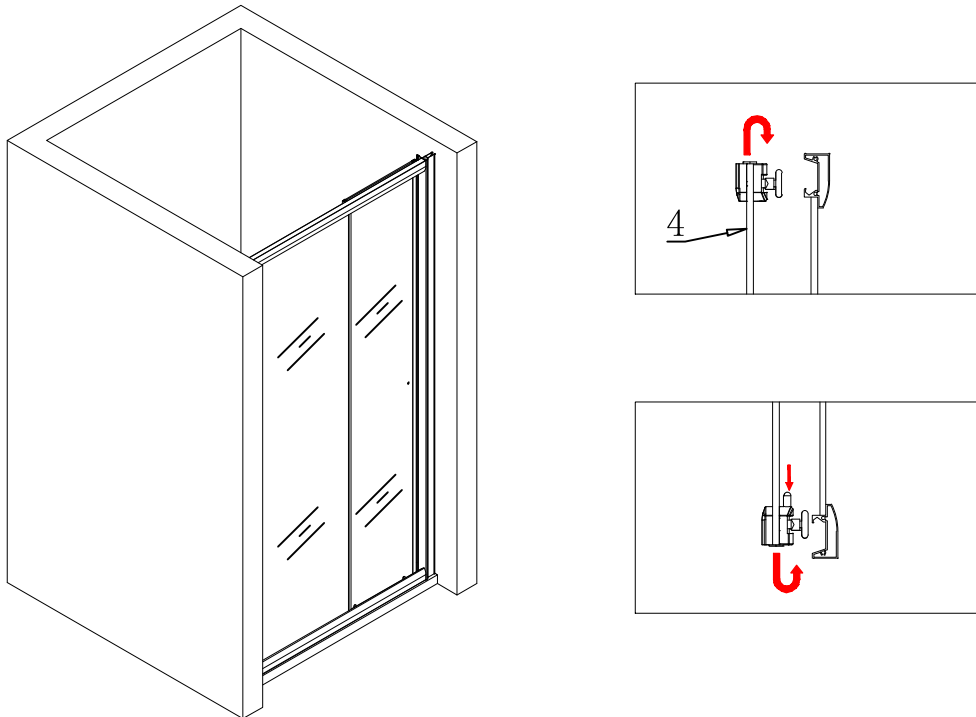
Step5: use self tapping screw and decorate hat let the glass door fixed to the wall, and fixed the glass door with the against the wall aluminum, as shown in figure.



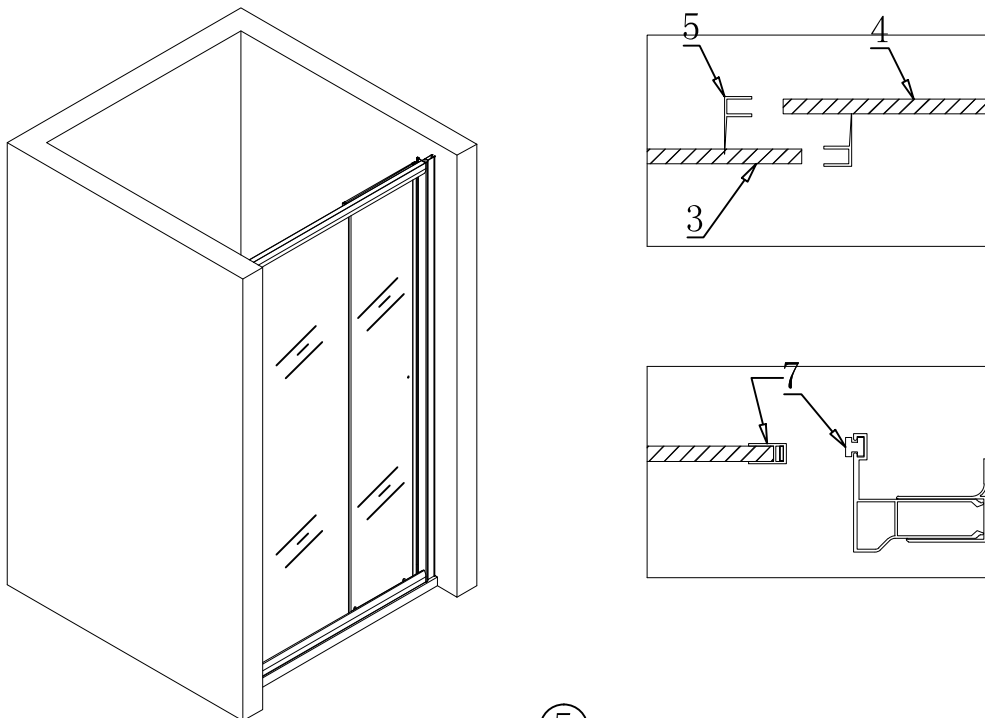
Step6: put the pulley to the active door, as shown in figure:



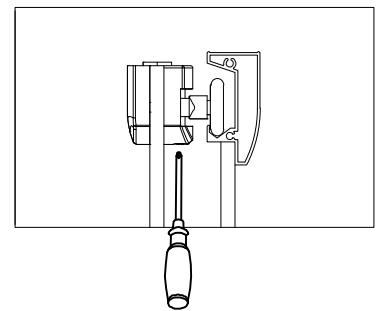
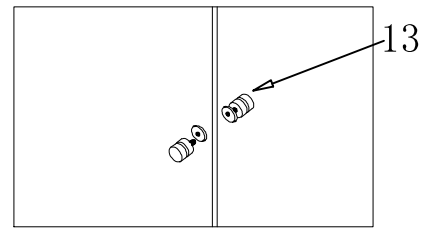
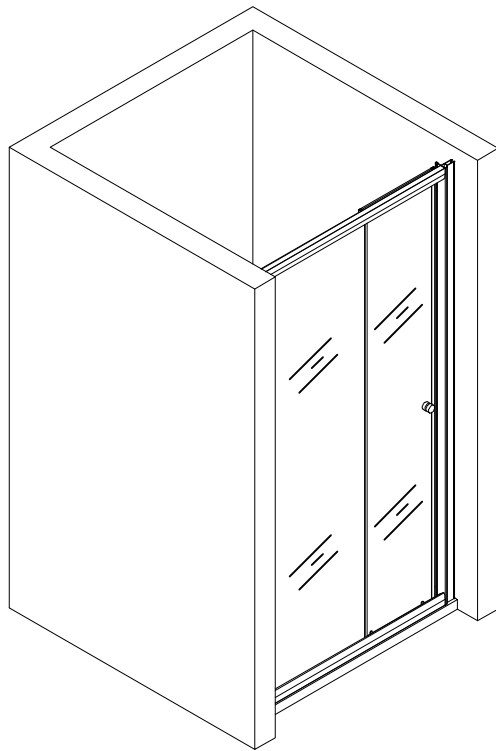
Step7: put the activity glass on the guide rail, as shown in figure:



Step8: installed the weather bar and magnetic stripe as shown in figure (short weather bar loaded on the fixed glass, magnetic stripe note it's anode and cathode)



Step9: Install the door handle first, then use the cross screwdriver to adjust the pulley to make the difference in the activity gate consistent.



Step10: Install aluminum alloy cover

